

LEFT POLARIZING BACKPLANE MODULE  
ASSEMBLY PART NUMBER ASSIGNMENT  
345 - X 1 XX - X X X

LOAD  
6 = STANDARD LOAD  
7 = CUSTOM LOAD, LEADED  
8 = CUSTOM LOAD, LEAD FREE  
L = CUSTOM LOAD, LEADED, ADVANCED PLATING  
N = CUSTOM LOAD, LEAD FREE, ADVANCED PLATING

MINIMUM PIN WIPE LENGTH, SEE DETAIL U  
3 = 1.00 mm WIPE  
4 = 2.00 mm WIPE  
5 = 3.00 mm WIPE

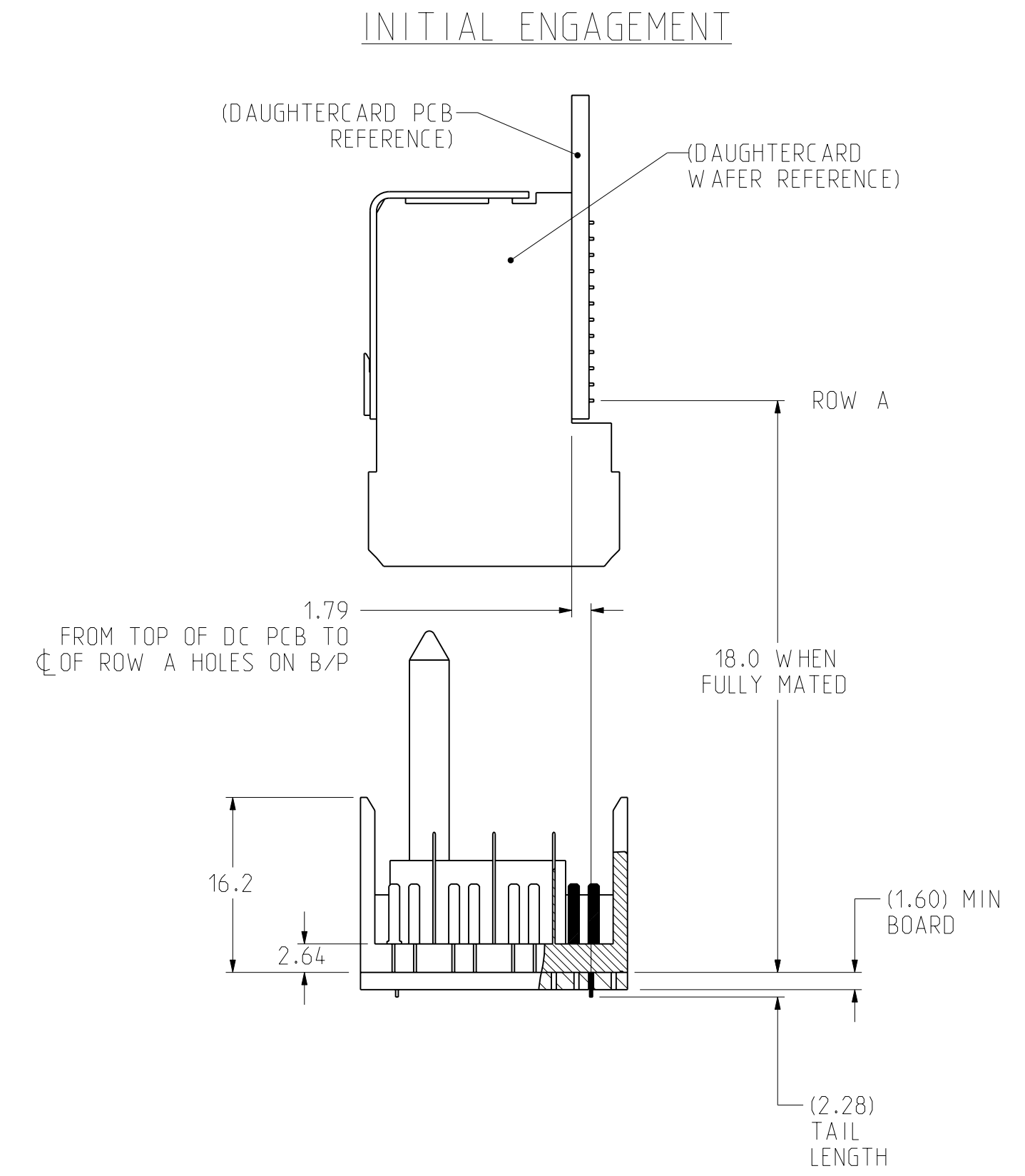
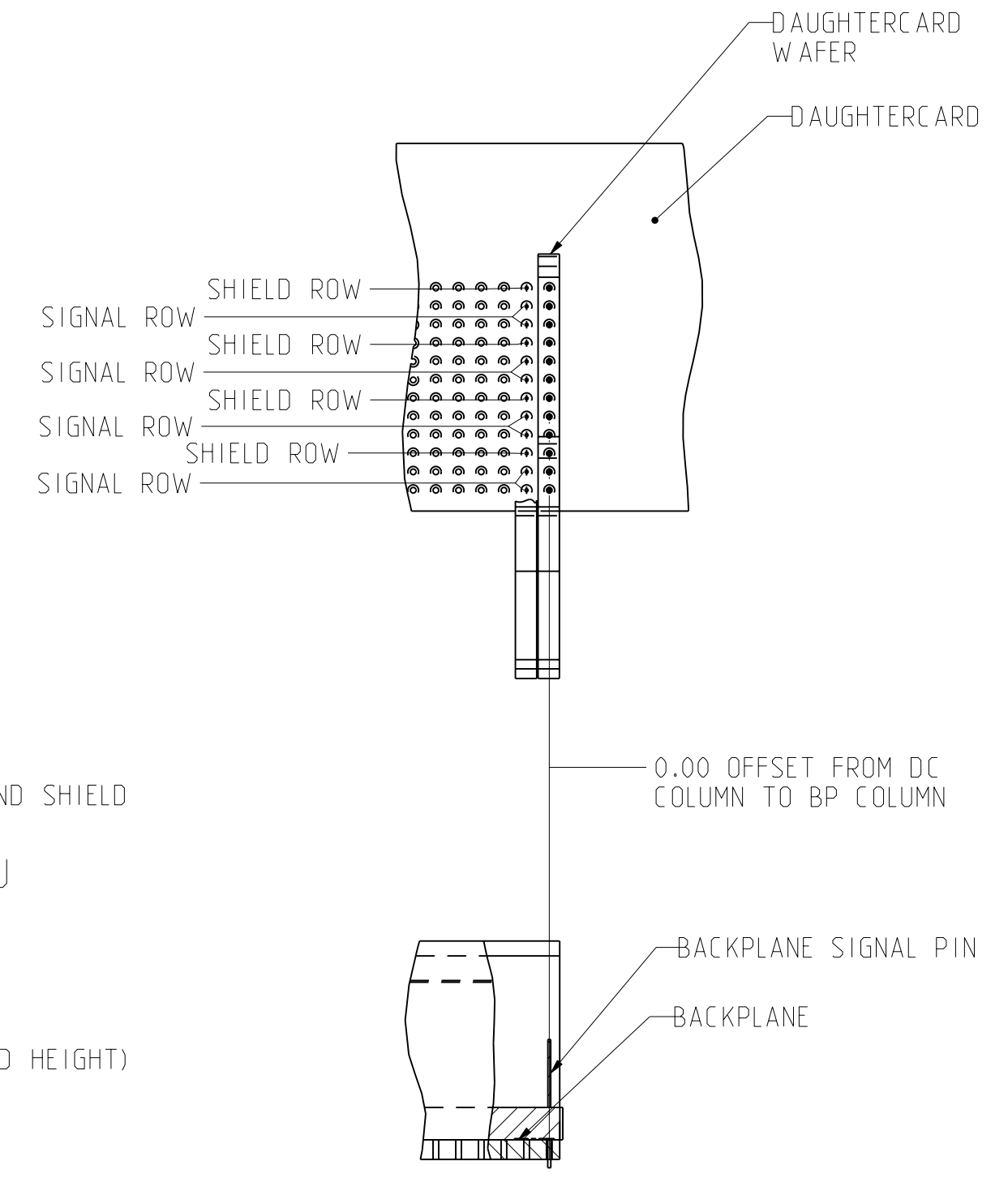
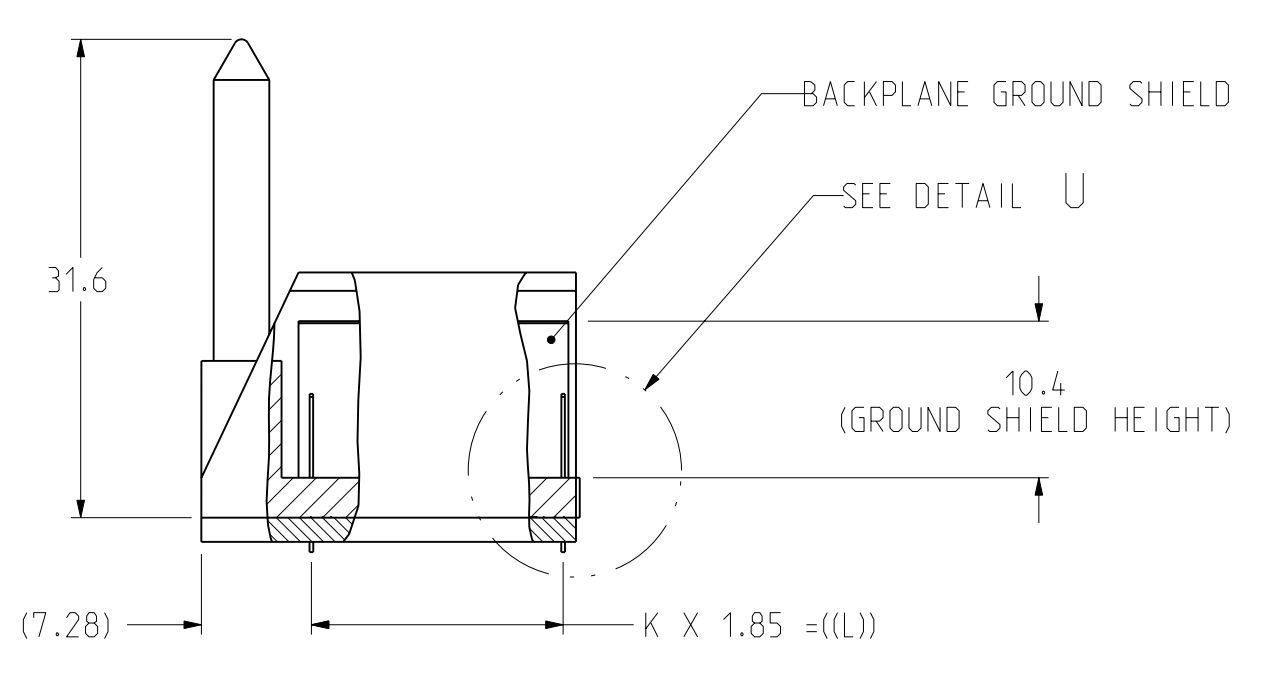
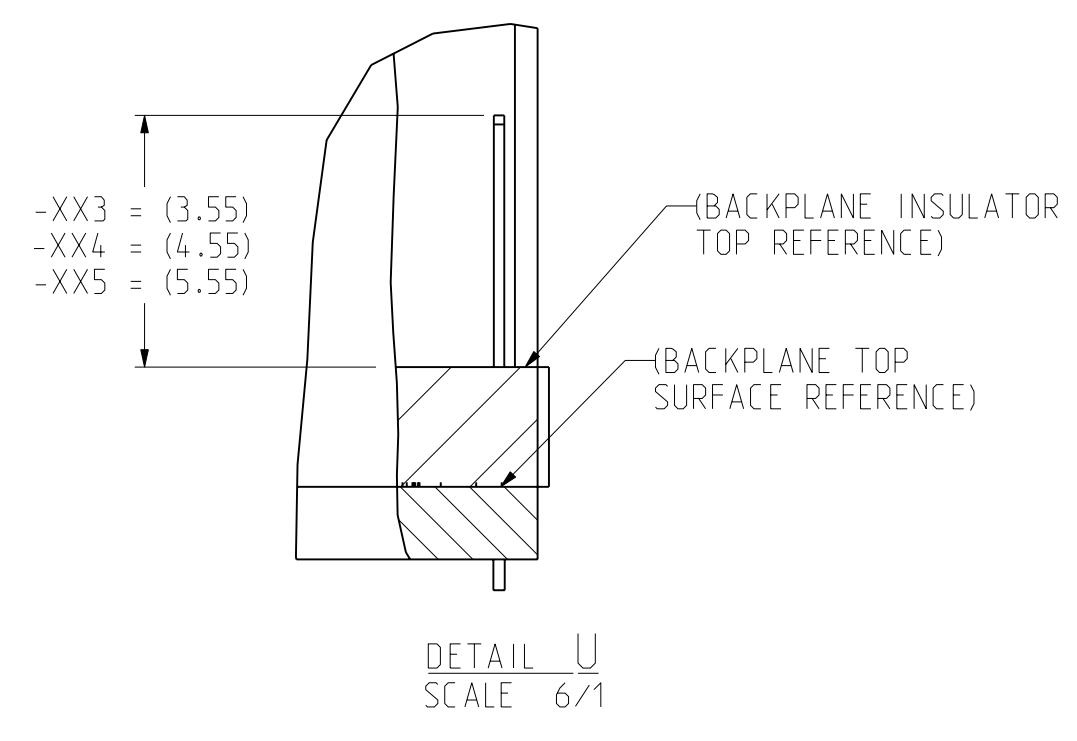
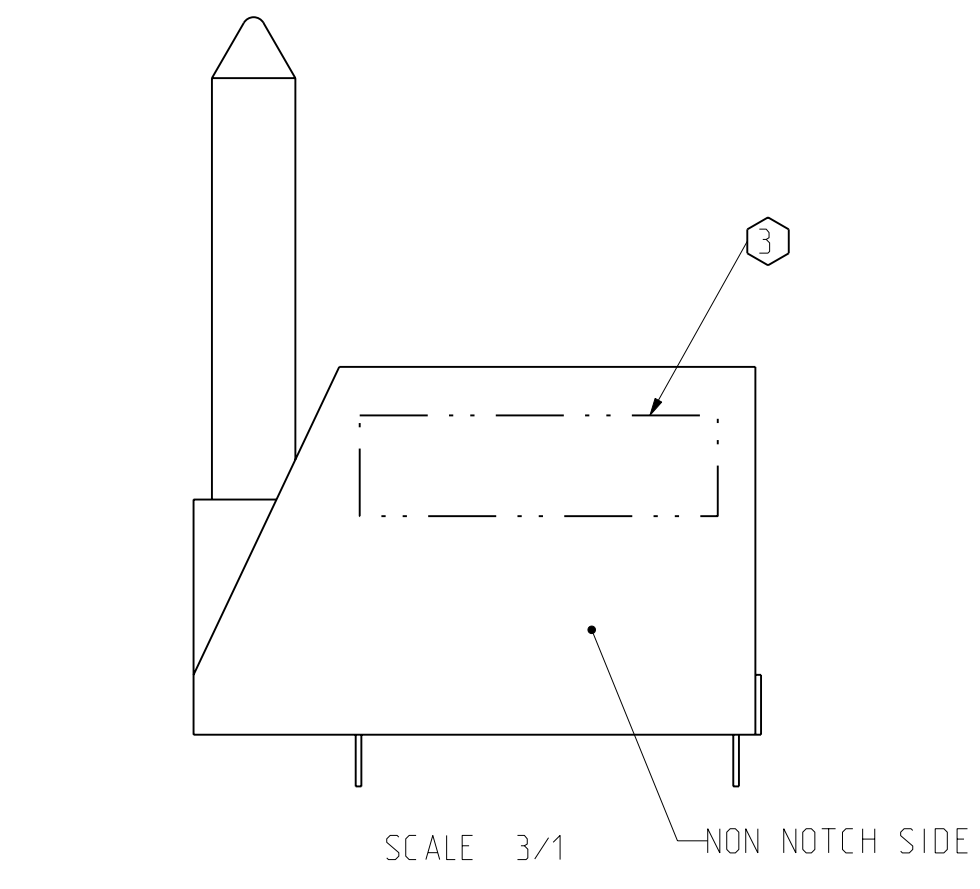
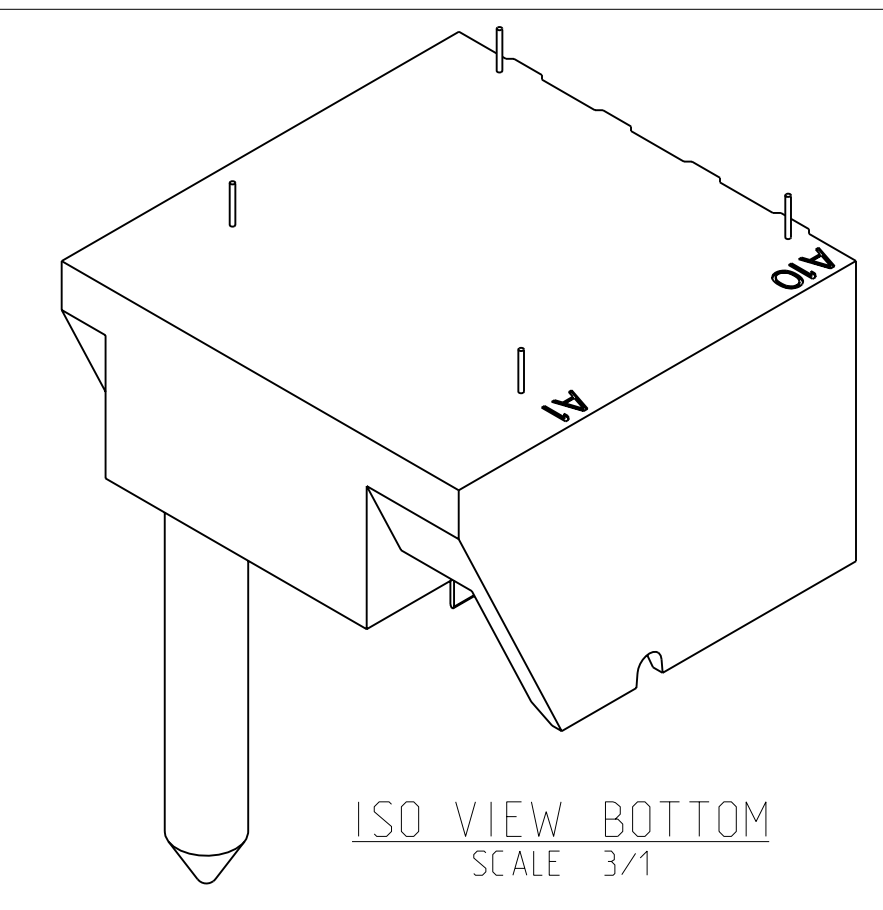
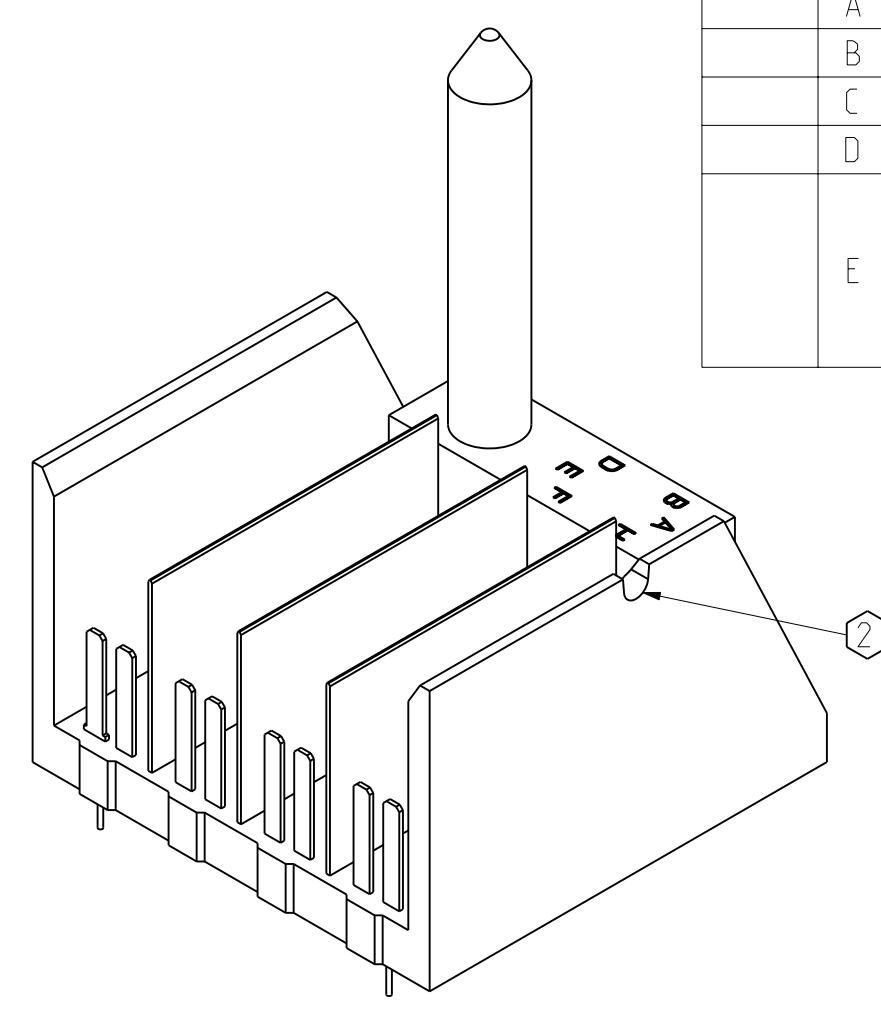
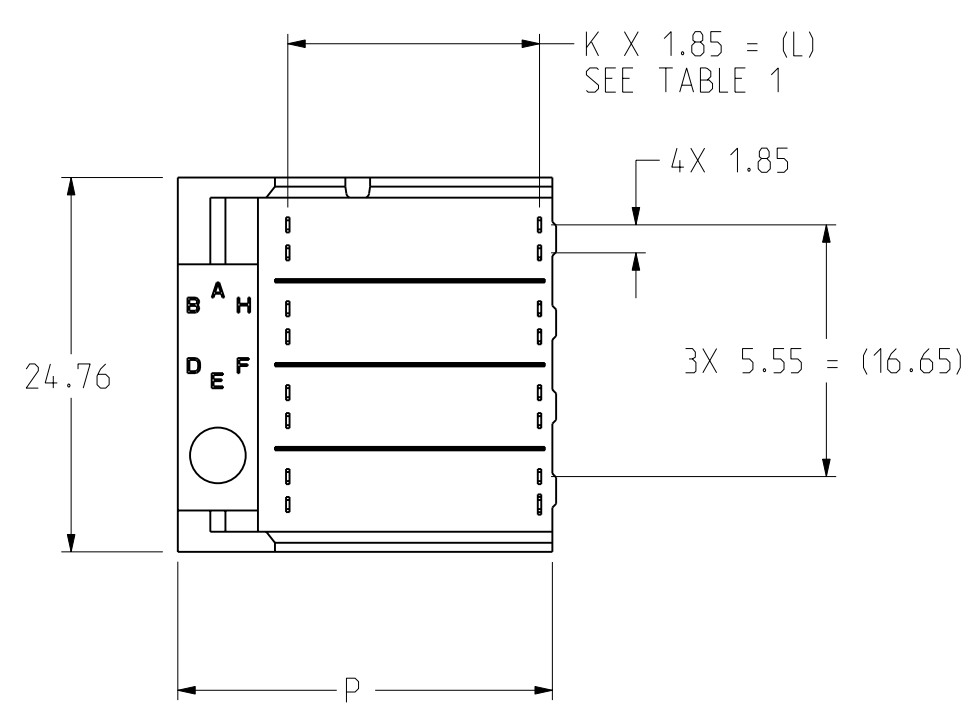
PLATING CODE  
0 = 735 4 = 804  
1 = 732 5 = 803  
2 = 769 6 = 806  
3 = 768 7 = 805

POLARIZING PIN LOCATION CODE (SEE TABLE 2)

NUMBER OF COLUMNS  
07 = 7 COLUMN MODULE  
10 = 10 COLUMN MODULE  
14 = 14 COLUMN MODULE  
25 = 25 COLUMN MODULE

ASSEMBLY PART NUMBER	K	(L)	P	TOTAL NUMBER OF DIFFERENTIAL PAIRS
345-6110-XXX	9	(16.65)	24.78	40
345-6125-XXX	24	(44.40)	52.53	100

PART NUMBER 345-61XX(-...)	-0XX	-AXX	-BXX	-CXX	-DXX	-EXX	-FXX	-GXX	-HXX
	0	A	B	C	D	E	F	G	H
POLARIZING PIN ORIENTATION									
	(NO KEY)								



- 7. IF 4TH DIGIT OF THE PART NUMBER IS 7 OR 8 OR L OR N (CUSTOM PART), DIGIT 5 THROUGH 10 DO NOT FOLLOW THE PARADIGM IN TABLE.
  - 6. USE MATING GAUGE PART NUMBER 699-2032-000 AFTER INSERTION ONTO BOARD TO CHECK POSITION OF BLADES.
  - 5. FOR REPAIR PROCEDURE FOR SIGNAL BLADE, SEE TB-2099.
  - 4. 9TH DIGIT OF PART NUMBER IDENTIFIES PLATING:  
735 - Ni SULFAMATE, STANDARD GOLD, LEADED  
732 - Ni SULFAMATE, HIGH GOLD, LEADED  
769 - Ni SULFAMATE, STANDARD GOLD, LEAD-FREE  
768 - Ni SULFAMATE, HIGH GOLD, LEAD-FREE  
804 - NANO Ni, STANDARD GOLD, LEADED  
803 - NANO Ni, HIGH GOLD, LEADED  
806 - NANO Ni, STANDARD GOLD, LEAD-FREE  
805 - NANO Ni, HIGH GOLD, LEAD-FREE
  - 3. PART MARKING AS FOLLOWS:  
LINE 1: "ATCS" AND DATECODE (ATCS YYWW).  
LINE 2: MODULE PART NUMBER (345-####-###).  
LINE 3: WORK ORDER NUMBER (#####), WHERE "\*" DENOTES MANUFACTURING LOCATION.
  - 2. NOTCH DESIGNATES "ROW A" SIDE OF SHROUD. NOTCH FEATURE ON OPPOSITE SIDE FROM PART MARKING.
- NOTES:  
1. REFER TO TB-2085 FOR GbX PRODUCT SPECIFICATIONS.

ZONE	REV	SCR NUMBER	DESCRIPTION	BY	DATE	APPROVED
ALL	-	DSMH-6BSQQ6.VER01	NEW RELEASE	S.GAGNON	04/28/05	B.RICHARD
	A	MDRA-6GWQWP.VER01	ADDED 7 POSITION	M.DEROSA	10/05/05	B.RICHARD
	B	MLEE-6K9H3D.VER01	REPLACED DRAWING FORMAT	R.CHIFFY	12/14/05	C.SAMMIS
	C	SBAR-6M8L8F.VER01	ADDED LEAD FREE OPTIONS	HCL	03/02/06	D.SMITH
	D	CSAS-6R7RWJ.VER01	CORRECTED ERRORS ON TABLES 1 & 2	HCL	07/04/06	D.SMITH
	E	CSAS-83KL5Z.VER01	ADDED NEW PART NUMBERS FOR NEW PLATING CODES IN ASSEMBLY PART NUMBER ASSIGNMENT TREE. MODIFIED NOTE 4 AND 7. REMOVED REVISION COLUMN IN TABLE 1. CORRECTED NOTES SEQUENCE NUMBERS.	HCL-MH	03/16/2010	C.SAMMIS

TOLERANCES	DESIGN 04/08/01	S.ALLEN	<b>Amphenol TCS</b> A Division of Amphenol Corporation 200 Innovative Way, Nashua, NH 03062 603.879.3000
0.0	±0.25	DRAWN 10/14/02	
0.0	±0.13	CHK 10/18/02	
0.000	± -	B.RICHARD	
ANGLES	± -	APVD 10/18/02	

TITLE	LEFT POLARIZING BACKPLANE MODULE 4 PAIR GbX
PART NO.	SEE PART NUMBER TREE
DRAWING NO.	C-345-6110-500
PROJ. TYPE	S1-P1021-CU-LTPOL-07
PROJ. DRAWING	C-345-6110-500
SCALE	1/1
SHEET	1 OF 3

INTERPRET PER ASME Y14.5M  
CODE IDENT 31413

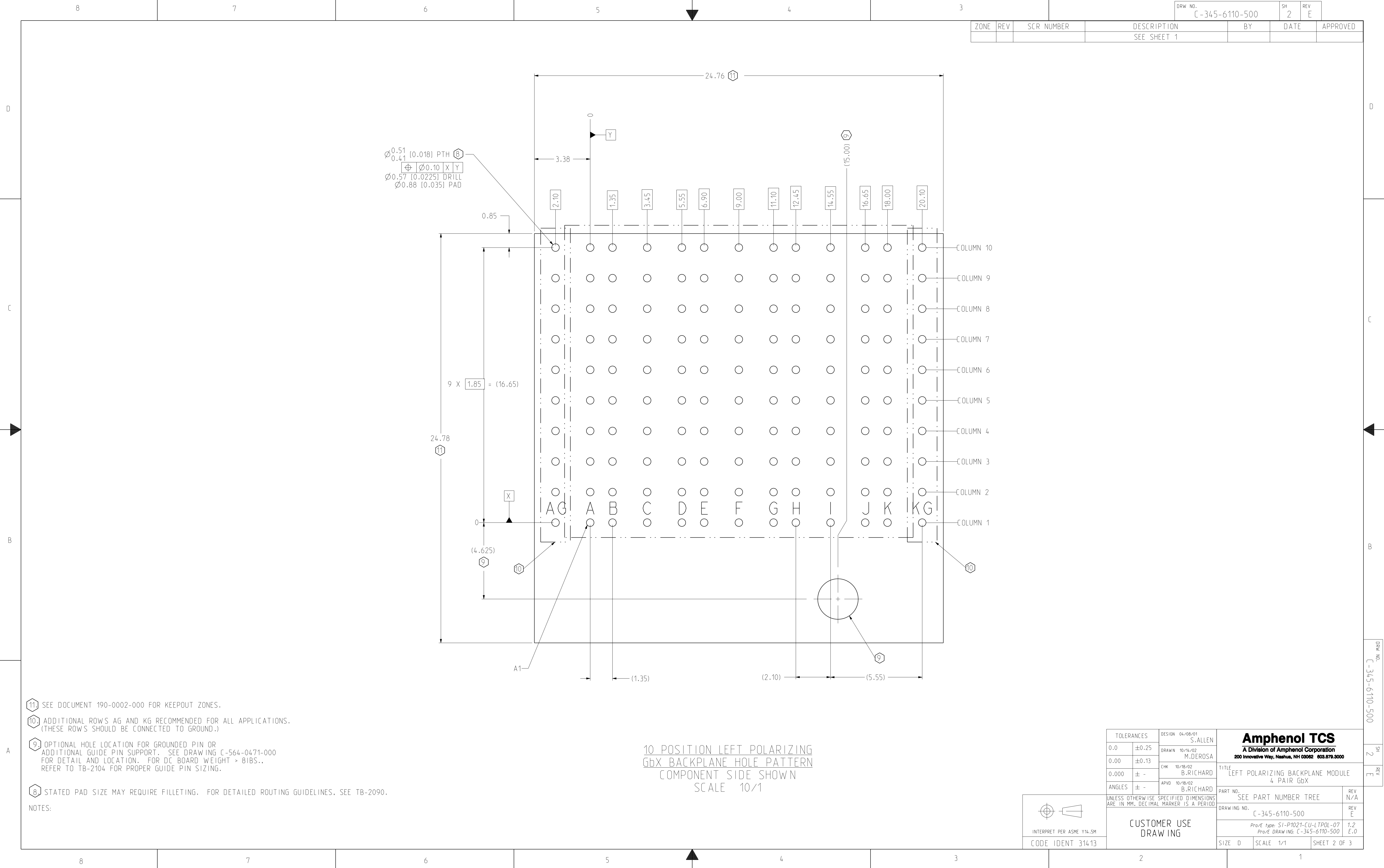
CUSTOMER USE  
DRAWING

DRW NO. C-345-6110-500

SH 1 REV E

ZONE	REV	SCR NUMBER	DESCRIPTION	BY	DATE	APPROVED
			SEE SHEET 1			

DRW NO. C-345-6110-500  
SH 2  
REV E



Ø0.51 [0.018] PTH  
 Ø0.41 [0.016] PTH  
 Ø0.10 [0.004] DRILL  
 Ø0.57 [0.0225] DRILL  
 Ø0.88 [0.035] PAD

9 X 1.85 = (16.65)

10 POSITION LEFT POLARIZING  
GbX BACKPLANE HOLE PATTERN  
COMPONENT SIDE SHOWN  
SCALE 10/1

TOLERANCES	DESIGN 06/08/01 S.ALLEN	<b>Amphenol TCS</b> A Division of Amphenol Corporation 200 Innovative Way, Nashua, NH 03062 603.879.3000	PART NO.	SEE PART NUMBER TREE	REV N/A
0.0 ±0.25	DRAWN 10/14/02 M.DEROSA		TITLE	LEFT POLARIZING BACKPLANE MODULE 4 PAIR GbX	REV E
0.00 ±0.13	CHK 10/18/02 B.RICHARD		DRAWING NO.	C-345-6110-500	REV E
0.000 ± -	APVD 10/18/02 B.RICHARD		PROV'E 1/28/07 SI-P1021-CU-LTPOL-07	1.2	E.O
ANGLES ± -	UNLESS OTHERWISE SPECIFIED DIMENSIONS ARE IN MM. DECIMAL MARKER IS A PERIOD.	CUSTOMER USE DRAWING	SIZE D	SCALE 1/1	SHEET 2 OF 3

- NOTES:
- 11) SEE DOCUMENT 190-0002-000 FOR KEEPOUT ZONES.
  - 10) ADDITIONAL ROWS AG AND KG RECOMMENDED FOR ALL APPLICATIONS. (THESE ROWS SHOULD BE CONNECTED TO GROUND.)
  - 9) OPTIONAL HOLE LOCATION FOR GROUNDED PIN OR ADDITIONAL GUIDE PIN SUPPORT. SEE DRAWING C-564-0471-000 FOR DETAIL AND LOCATION. FOR DE BOARD WEIGHT > 8IBS.. REFER TO TB-2104 FOR PROPER GUIDE PIN SIZING.
  - 8) STATED PAD SIZE MAY REQUIRE FILLETING. FOR DETAILED ROUTING GUIDELINES. SEE TB-2090.

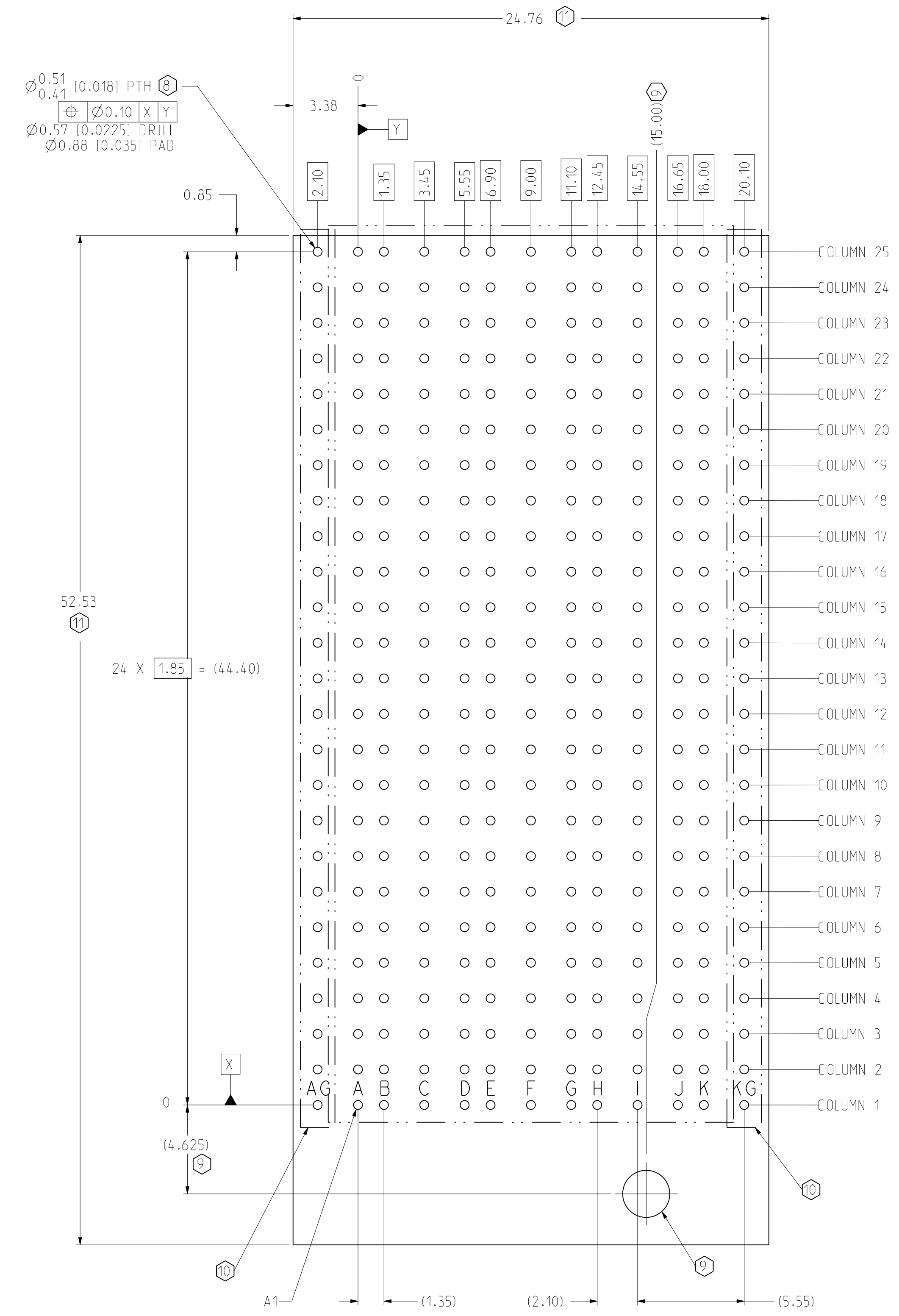
INTERPRET PER ASME Y14.5M  
 CODE IDENT 31413

DRW NO. C-345-6110-500

SH 2  
REV E

ZONE	REV	SCR NUMBER	DESCRIPTION	BY	DATE	APPROVED
			SEE SHEET 1			

DRW NO.	SH	REV
C-345-6110-500	3	E



25 POSITION LEFT POLARIZING  
GbX BACKPLANE HOLE PATTERN  
COMPONENT SIDE SHOWN  
SCALE 6/1

TOLERANCES		DESIGN 06/08/01 S.ALLEN	<b>Amphenol TCS</b> A Division of Amphenol Corporation 200 Innovative Way, Nashua, NH 03062 603.879.3000	TITLE LEFT POLARIZING BACKPLANE MODULE 4 PAIR GbX	
0.0	±0.25	DRAWN 10/14/02 M.DEROSA		PART NO. SEE PART NUMBER TREE	REV N/A
0.00	±0.13	CHK 10/18/02 B.RICHARD		DRAWING NO. C-345-6110-500	REV E
0.000	± -	APVD 10/18/02 B.RICHARD		ProvE 1/28/07 SI-P1021-CU-LTPOL-07	1.2
ANGLES	± -			ProvE DRAWING: C-345-6110-500	E.O

UNLESS OTHERWISE SPECIFIED DIMENSIONS ARE IN MM. DECIMAL MARKER IS A PERIOD

INTERPRET PER ASME Y14.5M  
CODE IDENT 31413

CUSTOMER USE  
DRAWING

SIZE	D	SCALE	1/1	SHEET	3 OF 3
------	---	-------	-----	-------	--------

DRW NO.  
C-345-6110-500

SH  
3  
REV  
E