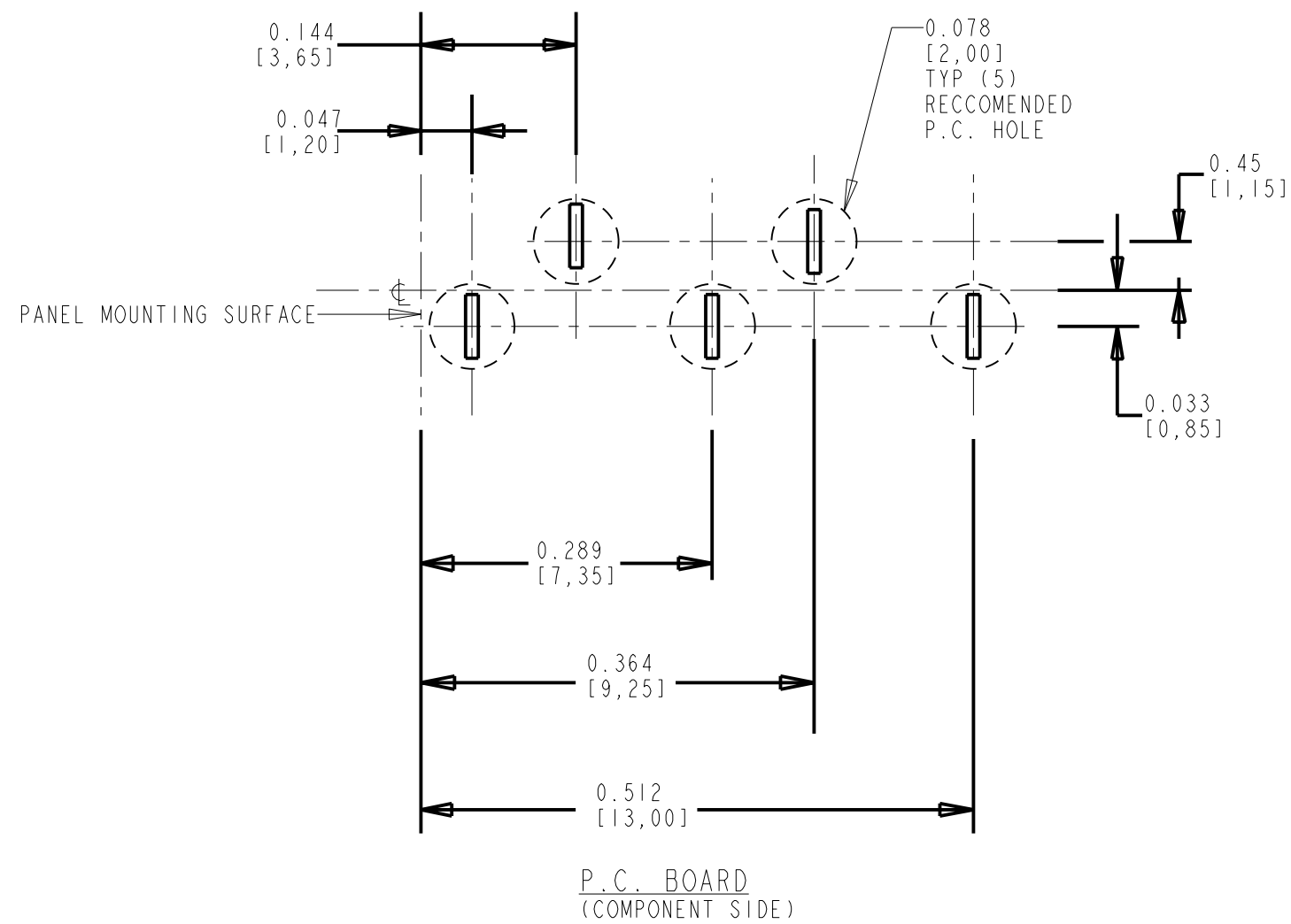
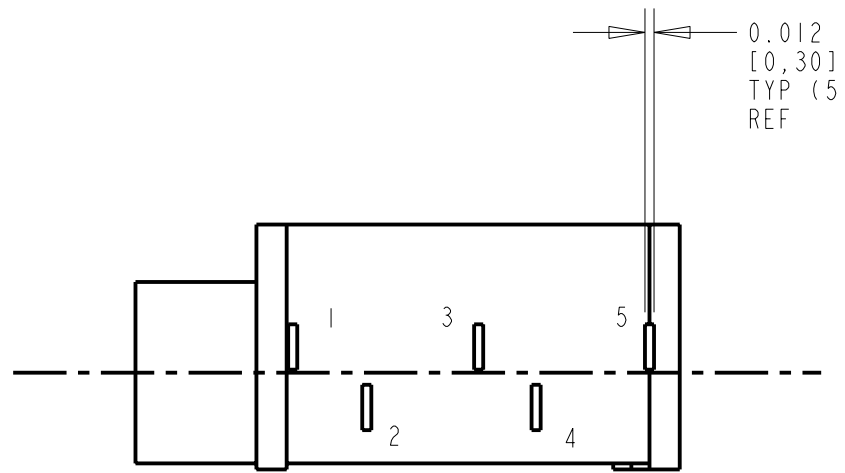
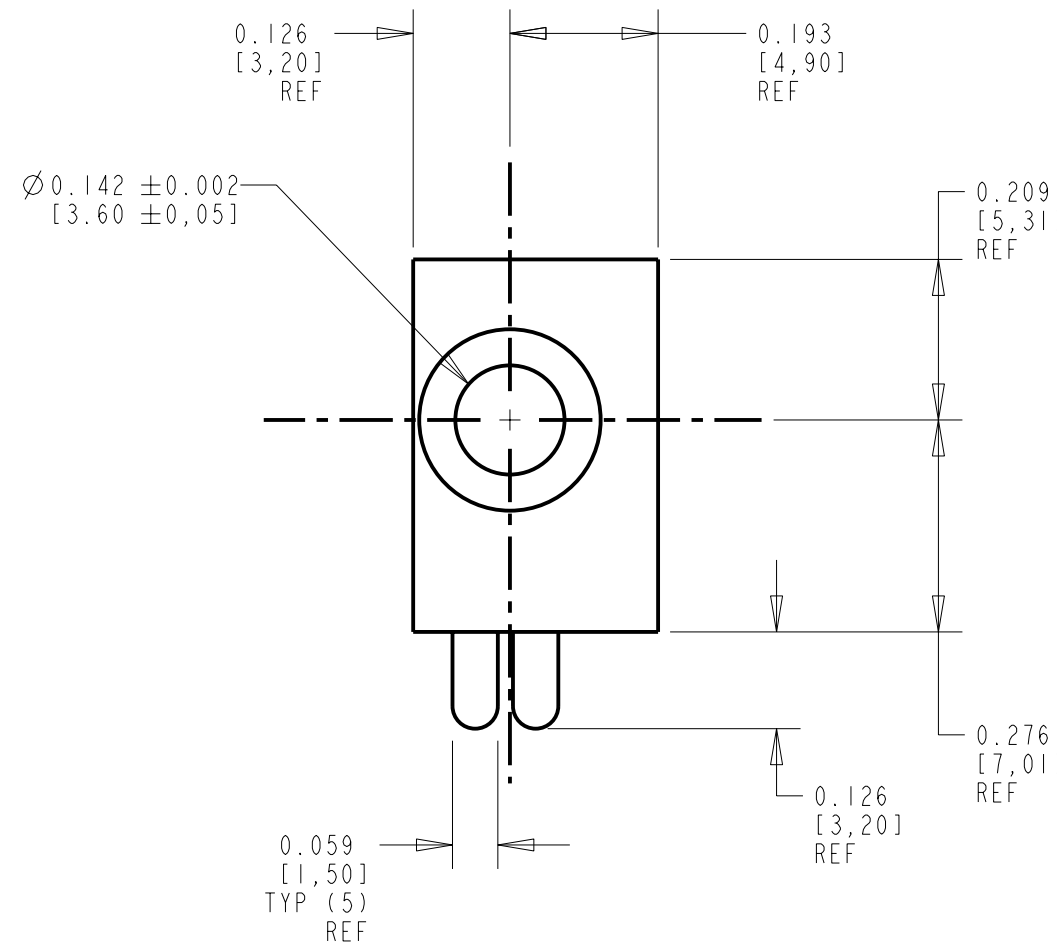
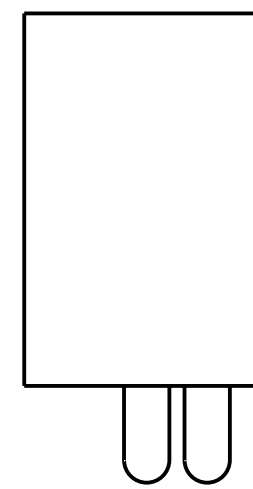
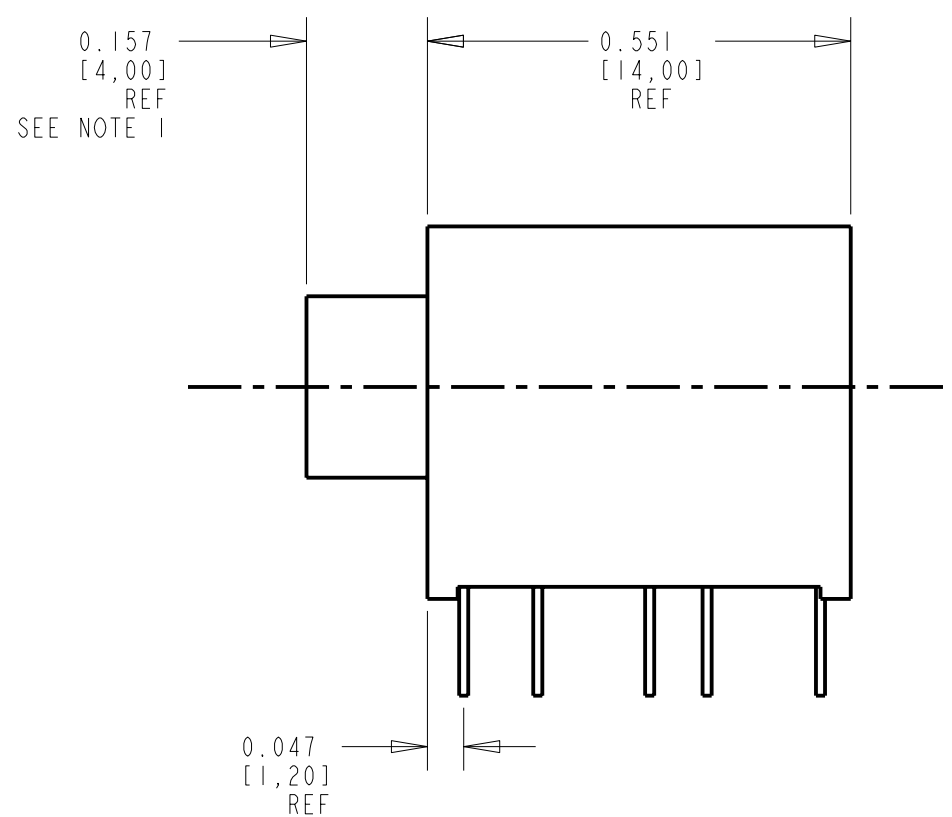


SCALE 4:1



PART NO.	SCHEMATIC
35RAPC3BVN4	
35RAPC4BVN4	
35RAPC2BVN4	
35RAPC2AVN4	

**SPECIFICATIONS**

**ELECTRICAL:**  
 CONTACT RESISTANCE: 20 MILLIOHMS MAX, INITIAL  
 50 MILLIOHMS MAX, AFTER LIFE  
 INSULATION RESISTANCE: 50 MEGAOHMS MIN. AT 500 VDC  
 DIELECTRIC WITHSTANDING VOLTAGE: 250 VAC

**MECHANICAL:**  
 LIFE: 5000 CYCLES  
 INSERTION FORCE: 0.4 KG TO 1.6 KG  
 WITHDRAWAL FORCE: 0.4 KG TO 1.4 KG

**MATERIALS:**  
 HOUSING: PBT +15% GLASS FILLED, BLACK, UL94V0  
 BUSHING: BRASS, NICKEL PLATED  
 SPRINGS: PHOSPHOR BRONZE, TIN PLATED  
 COVER: POLYCARBONATE, CLEAR, UL94V0.

REV	ECO NUMBER	DATE	BY	APVD
C	ECO #21184	6-4-97	OM	JJ
B	ECO #20182	8-26-95	SG	TAO
A	RELEASE TO MFG. ECO #19561	5-4-95	SG	GHJ

★ STAR SYMBOL DENOTES CRITICAL DIMENSION

UNLESS OTHERWISE SPECIFIED

1. ALL DIMENSIONS IN INCHES  
 - TWO PLACE DECIMALS ±0.01  
 - THREE PLACE DECIMALS ±0.005  
 - FRACTIONAL DIMENSIONS ±1/64  
 - ANGLES ±1°  
 - ALL DIA. CONCENTRIC WITHIN 0.005 T.I.R.

2. FEATURES ON THE SAME CENTERLINE MUST BE ALIGNED WITHIN ±0.002

3. REMOVE ALL BURRS

DO NOT SCALE DRAWING

THIS DRAWING DESCRIBES A DESIGN CONSIDERED PROPRIETARY IN NATURE, DEVELOPED AND MANUFACTURED BY SWITCHCRAFT INC. AND IS RELEASED ON A CONFIDENTIAL BASIS FOR IDENTIFICATION PURPOSES ONLY.				
SIZE	WIDTH	MULT	LBS/M	TEMPER
FINISH		MATERIAL		
SPEC No.		SPEC No.		
FIRST USED ON		SCALE		
		4:1		
DATE DRAWN	BY	CHKD	APVD	
4-May-95	SG	SG	GHJ	
		5-8-95		
NAME				PART No.
3.5 MM VERTICAL, NON THREADED MONO/STEREO JACK				35RAPC_VN4
				REV
				C

CUSTOMER DRAWING

