

FEATURES AND SPECIFICATIONS

Features and Benefits

- Sizes 10, 26, 50 and 68 circuits (contact Molex for other circuit sizes)
- Mating and unmating made easy by the 1-touch lock
- The projected metal shell permits the receptacle to be face-mounted on the edge of the PCB to save space

Reference Information

Packaging: Tray
 Tooling Information: See end of section
 Mates With: [52629](#) and [54397](#)
 Designed In: Millimeters

Electrical

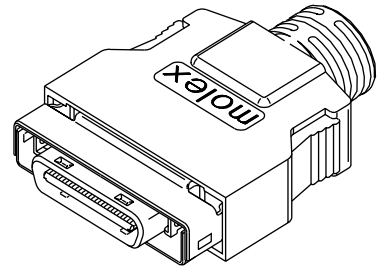
Voltage: 125V
 Current: 0.5A
 Contact Resistance: 50mΩ max.
 Dielectric Withstanding Voltage: 500V AC/1 min.
 Insulation Resistance: 500 MΩ min.

Physical

Housing: Glass-filled PBT
 Shell Body Bottom: Steel, Nickel plating
 Boot: PBT
 Contact: Phosphor Bronze
 Plating: Gold over Nickel in contact area;
 Tin/Lead over Nickel in IDT area
 Operating Temperature: -55 to +85°C

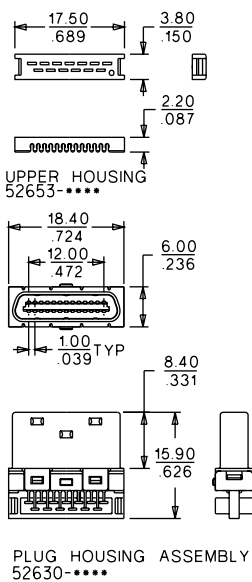
molex® 1.00mm (.039") Pitch Shielded Plug

52660/52661 Dual Row

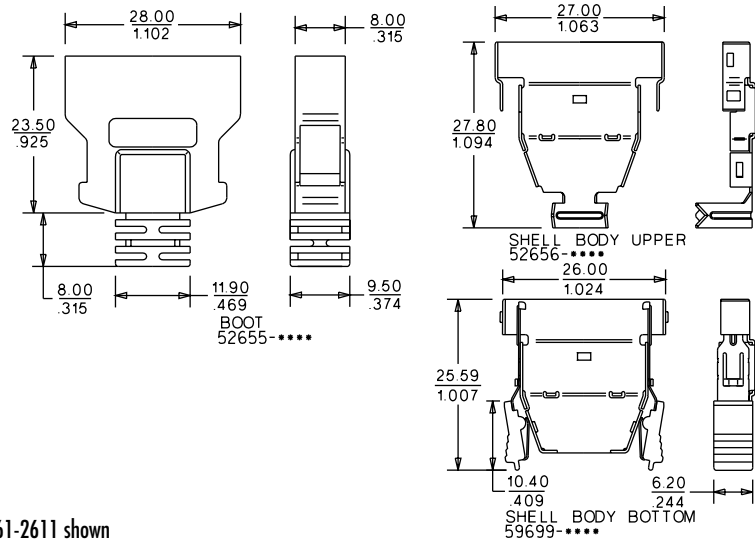


CATALOG DRAWING (FOR REFERENCE ONLY)

52660
Plug Assembly



52661
Shell Kit



ORDERING INFORMATION AND DIMENSIONS

Circuits	Order No.		Size	Applicable Wire			
	Plug Assembly	Shell Kit		Conductor	Insulation Diameter	Shield Diameter	Jacket Diameter
10	52660-1051	52661-1011	28 AWG	0.38 (7/0.127)	0.58 (.023)	3.00 (.118)	5.00 (.197)
26	52660-2651	52661-2611	28 AWG	0.38 (7/0.127)	0.58 (.023)	4.60 (.181)	6.40 (.252)
50	52660-5051	52661-5051	30 AWG	0.30 (7/0.100)	0.50 (.020)	4.90 (.193)	6.70 (.264)
68	52660-6851	52661-6851	30 AWG	0.30 (7/0.100)	0.50 (.020)	5.44 (.214)	6.70 (.264)