



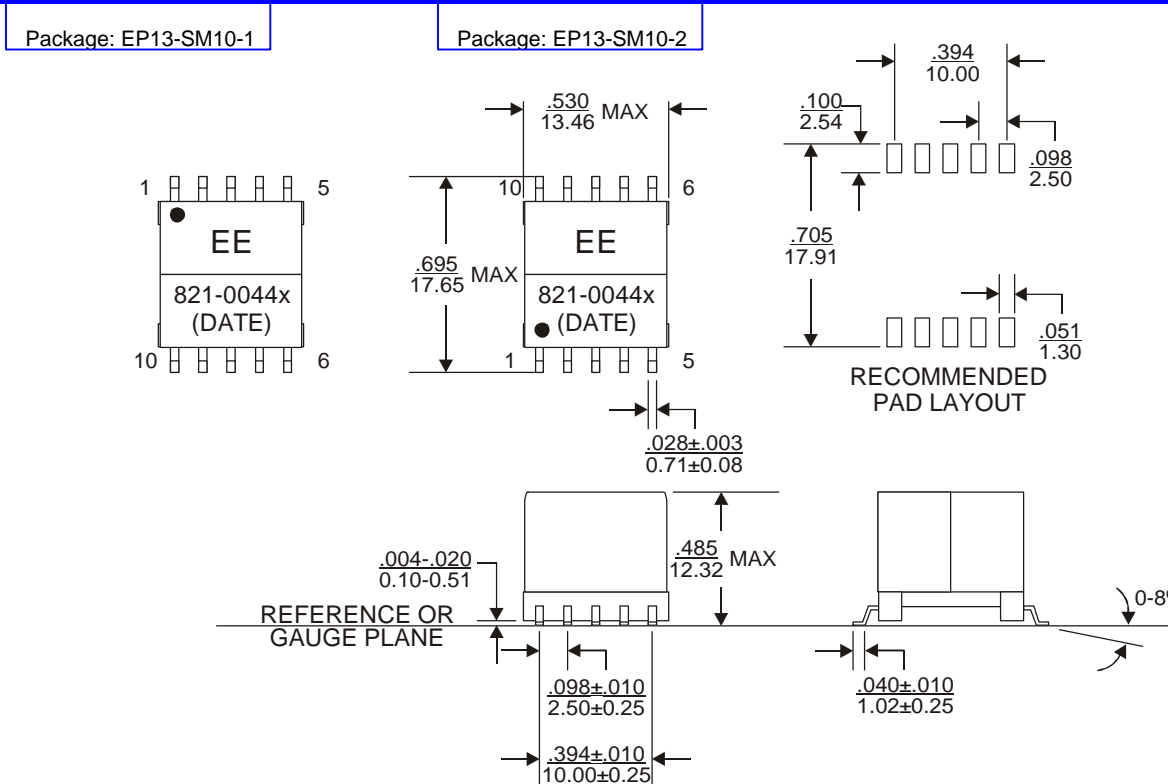
- Small compact footprint
- Models designed for leading transceiver ICs
- Meets ANSI T1.601-1992 and ETSI ETR 080 standards for longitudinal balance, linearity and return loss
- Minimum Isolation voltage: 1500Vrms



ELECTRICAL SPECIFICATION @25°C

Part Number	Turns Ratio Line : Chip (± 2%)	OCL Line Side (mH Typ)	DCR Line Side (Ω Max)	DCR Chip Side (Ω Max)	Idc (mA)	Return Loss (dB Min)	Longitudinal Balance (dB Min)	Package
						10 kHz- 25 kHz	281 Hz- 40 kHz	
821-00440	1.65CS:1CT	13-18	14.00	7.00	50	20	55	SM10-2
821-00442	1.25CS:1CT	25.5-30.5	15.66	10.65	40	20	55	SM10-1
821-00443	2CS:1CS	13.5-16.5	7.00	3.50	50	20	55	SM10-1
						15 kHz- 50 kHz	20 kHz- 150 kHz	
821-00441	1.25CS:1CT	11.9-16.1	6.40	4.40	50	16	40	SM10-2
						15 kHz- 50 kHz	15 kHz- 50 kHz	
821-00444	1.32CS:1	7.5-8.3	3.20	2.50	55	16	40	SM10-2

MECHANICAL DIMENSIONS



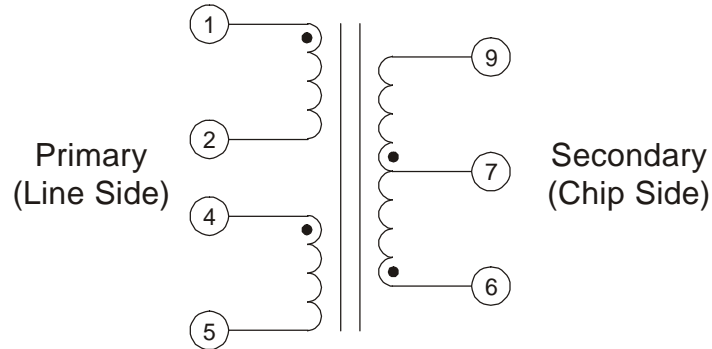
Note : All dimensions are specified in $\frac{\text{inches}}{\text{mm}}$ with higher precedence in inches.
 Unless otherwise specified, all tolerances are $\pm \frac{.010}{0.25}$.

Weight (in gram) : 6.7 typ.
 Tape & Reel : 160 / reel

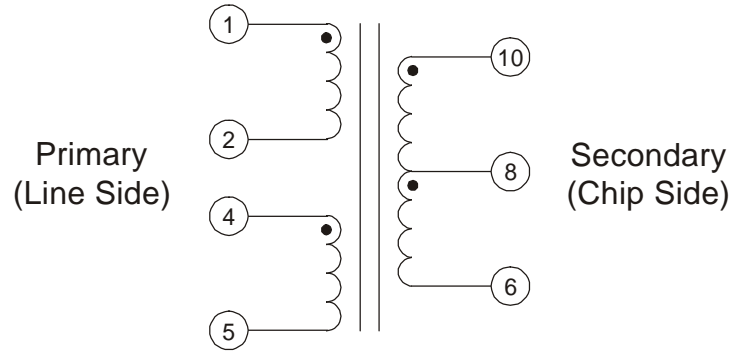


SCHEMATICS

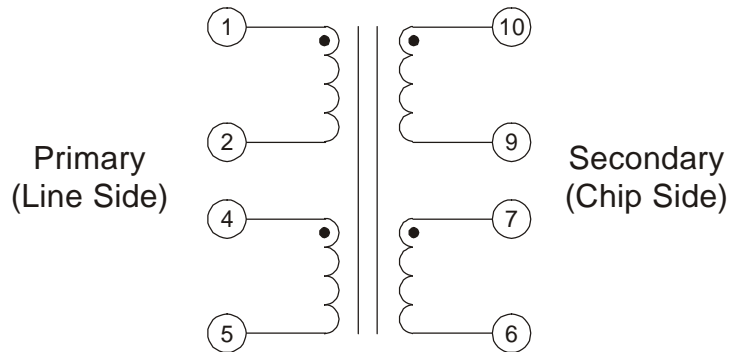
821-00440/ -00441



821-00442



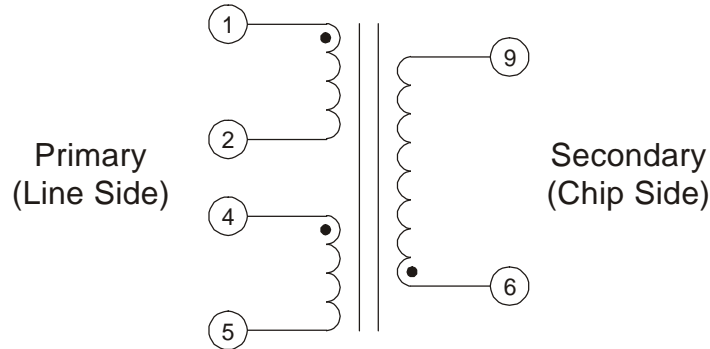
821-00443





SCHEMATICS

821-00444



FOR MORE INFORMATION, PLEASE CONTACT

HEADQUARTER

Unit B10, 3/F., Merit Industrial Centre,
94 Tokwawan Road, Kowloon,
Hong Kong
Tel: (852) 2954 3333
Fax: (852) 2954 3304
Email: eempl@eleceltek.com
Website: <http://www.eleceltek.com>

Information herein is for reference only and subject to change without notice. It does not constitute any representation, warranty or commitment of the company in respect of the products in any aspect. All logos, brands and product names mentioned herein are trademarks or registered trademarks of their respective owners. The company does not assume any liability arising out of the application or use of any product or circuit described herein. Copyrights 2003, E & E Magnetic Products Limited.