

SMD CERAMIC WIRE-WOUND CHIP INDUCTORS



2.92 x 2.00 x 2..29mm

AISC-1008-xxx

FEATURES:

- Ceramic construction assures the utmost thermal stability & high SRF
- Exceptionally high Q compared to non-wirewound inductors, especially at high frequencies
- Inductance options from 4.7nH to 8200nH

APPLICATIONS:

- Widely applied in VCO, SAW circuit for GSM, & CDMA communications
- Used in hard disk, notebook computers & other electronic equipment

ELECTRICAL SPECIFICATIONS:

PARAMETERS

ABRACON P/N:	AISC-1008-xxx Series
Operating temperature:	-25°C to + 125°C
Storage temperature:	-25°C to + 85°C, 70% RH max.

Part Number AISC-1008	L (nH)	L. Test Freq (MHz)	Tolerance (±%)	Q Min	Q Test Freq (MHz)	SRF Min (MHz)	R _{DC} Max (Ω)	I _{DC} Max (mA)
4R7	4.7	50	10,20	60	1500	>6000	0.11	1000
100	10	50	5,10,20	50	500	4100	0.08	1000
120	12	50	5,10,20	50	500	3400	0.09	1000
150	15	50	5,10,20	50	500	2600	0.13	1000
180	18	50	5,10,20	50	350	2600	0.11	1000
220	22	50	2,5,10,20	55	350	2400	0.12	1000
270	27	50	2,5,10,20	55	350	1700	0.13	1000
330	33	50	2,5,10,20	60	350	1700	0.14	1000
390	39	50	2,5,10,20	60	350	1600	0.15	1000
470	47	50	2,5,10,20	70	350	1600	0.16	1000
560	56	50	2,5,10,20	70	350	1400	0.18	1000
680	68	50	2,5,10,20	65	350	1200	0.21	1000
820	82	50	2,5,10,20	65	350	1000	0.22	1000
101	100	25	2,5,10,20	60	350	1000	0.56	650
121	120	25	2,5,10,20	60	350	1000	0.63	650
151	150	25	2,5,10,20	45	100	850	0.62	580
181	180	25	2,5,10,20	45	100	800	0.70	620
221	220	25	2,5,10,20	45	100	700	0.80	500
271	270	25	2,5,10,20	45	100	700	0.91	500
331	330	25	2,5,10,20	45	100	600	1.05	450
391	390	25	2,5,10,20	45	100	500	1.12	470
471	470	25	2,5,10,20	45	100	500	1.19	470
561	560	25	2,5,10,20	45	100	450	1.33	400
621	620	25	2,5,10,20	45	100	415	1.40	300
681	680	25	2,5,10,20	45	100	375	1.47	400
751	750	25	2,5,10,20	45	100	360	1.54	360
821	820	25	2,5,10,20	45	100	350	1.61	400
911	910	25	2,5,10,20	40	50	320	1.68	380
102	1,000	25	2,5,10,20	35	50	290	1.75	370
122	1,200	7.9	2,5,10,20	35	50	250	2.00	310
152	1,500	7.9	2,5,10,20	28	50	200	2.30	330
182	1,800	7.9	2,5,10,20	28	50	160	2.60	300
222	2,200	7.9	2,5,10,20	28	50	120	2.80	280
272	2,700	7.9	2,5,10,20	22	25	100	3.20	290
332	3,300	7.9	2,5,10,20	22	25	80	3.40	260
392	3,900	7.9	2,5,10,20	20	25	60	3.60	260
472	4,700	7.9	2,5,10,20	20	25	60	4.00	250
562	5,600	7.9	5,10,20	20	25	60	5.70	220
682	6,800	7.9	5,10,20	20	25	60	7.70	180
822	8,200	7.9	5,10,20	20	25	50	10.7	150

OPTIONS & PART IDENTIFICATION:

(Left blank if standard)

AISC - 1008 - □□□ - □ - □

Inductance Code
Please refer to the Table above.

Tolerance Code	
G	±2%
J	±5%
K	±10%
M	±20%

Packaging
T | Tape & Reel

ABRACON IS
ISO 9001 / QS 9000
CERTIFIED



ABRACON
CORPORATION

Visit www.abracon.com for Terms & Conditions of Sale **Revised: 10.10.07**
30332 Esperanza, Rancho Santa Margarita, California 92688
tel 949-546-8000 | fax 949-546-8001 | www.abracon.com

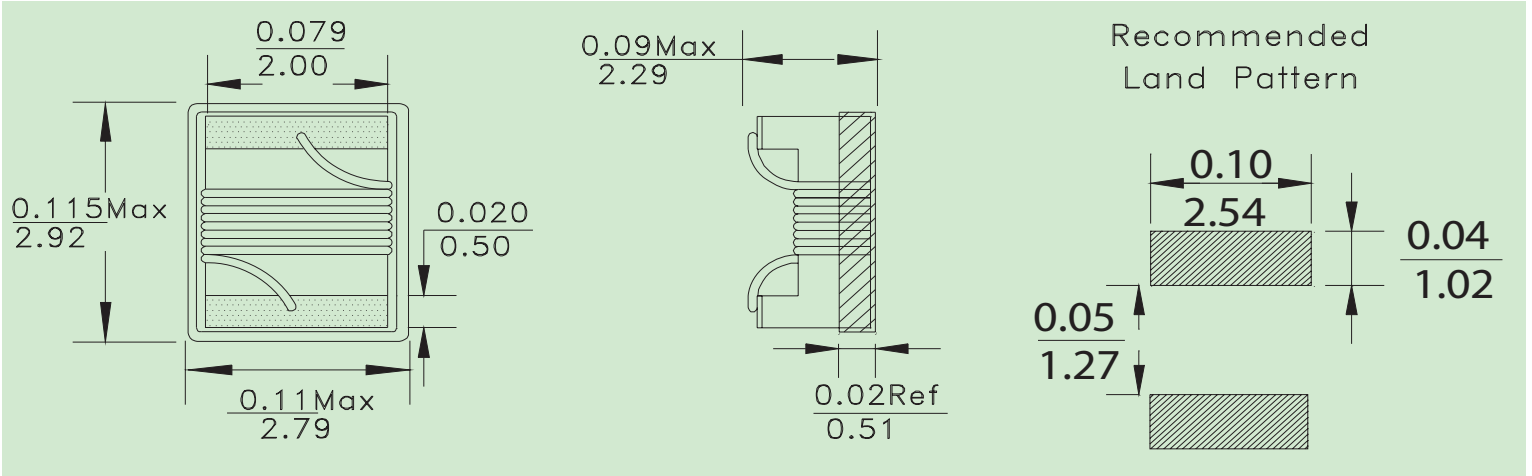
SMD CERAMIC WIRE-WOUND CHIP INDUCTORS

AISC-1008-xxx

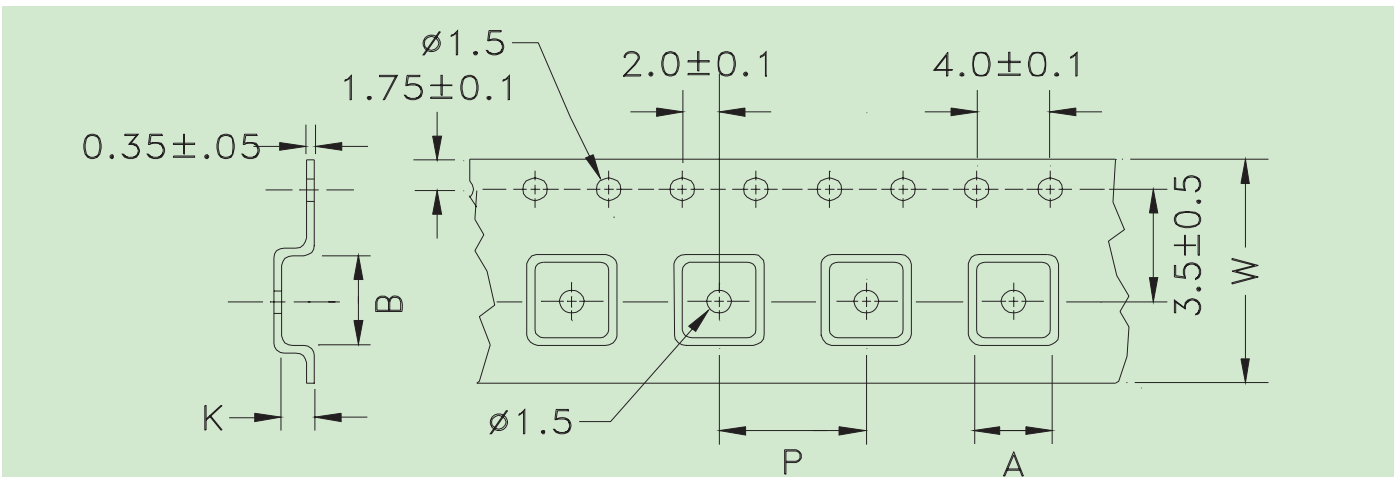


2.92 x 2.00 x 2.29mm

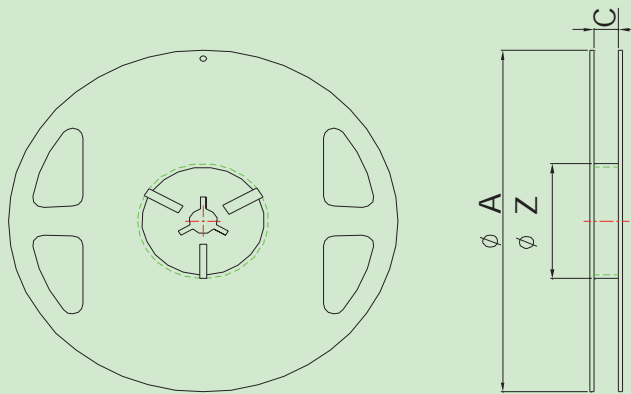
OUTLINE DRAWING:



TAPE & REEL:



ABRACON P/N	A (mm)	B (mm)	K (mm)	P (mm)	W (mm)	PCS/REEL
AISC-1008	2.9	3.1	2.31	4	8	2,000



series	A	C	Z
AISC-1008-xxx	178 ± 2.0	8.4 ± 1.5	60 ± 1.0

Dimensions: mm

ABRACON IS
ISO 9001 / QS 9000
CERTIFIED



Visit www.abracon.com for Terms & Conditions of Sale **Revised: 10.10.07**
30332 Esperanza, Rancho Santa Margarita, California 92688
tel 949-546-8000 | fax 949-546-8001 | www.abracon.com