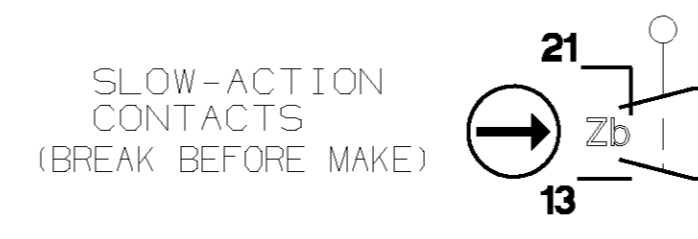
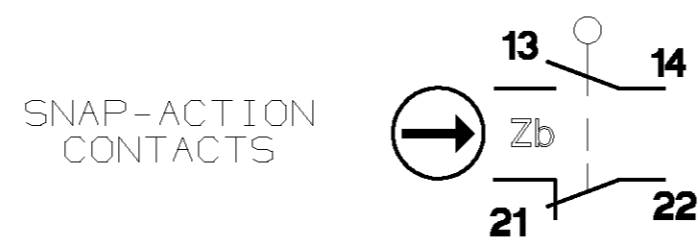


Honeywell

**LIMIT SWITCH**

CATALOGUE LISTING  
**GLS**  
CHART NO.  
**MTG-GL-192**

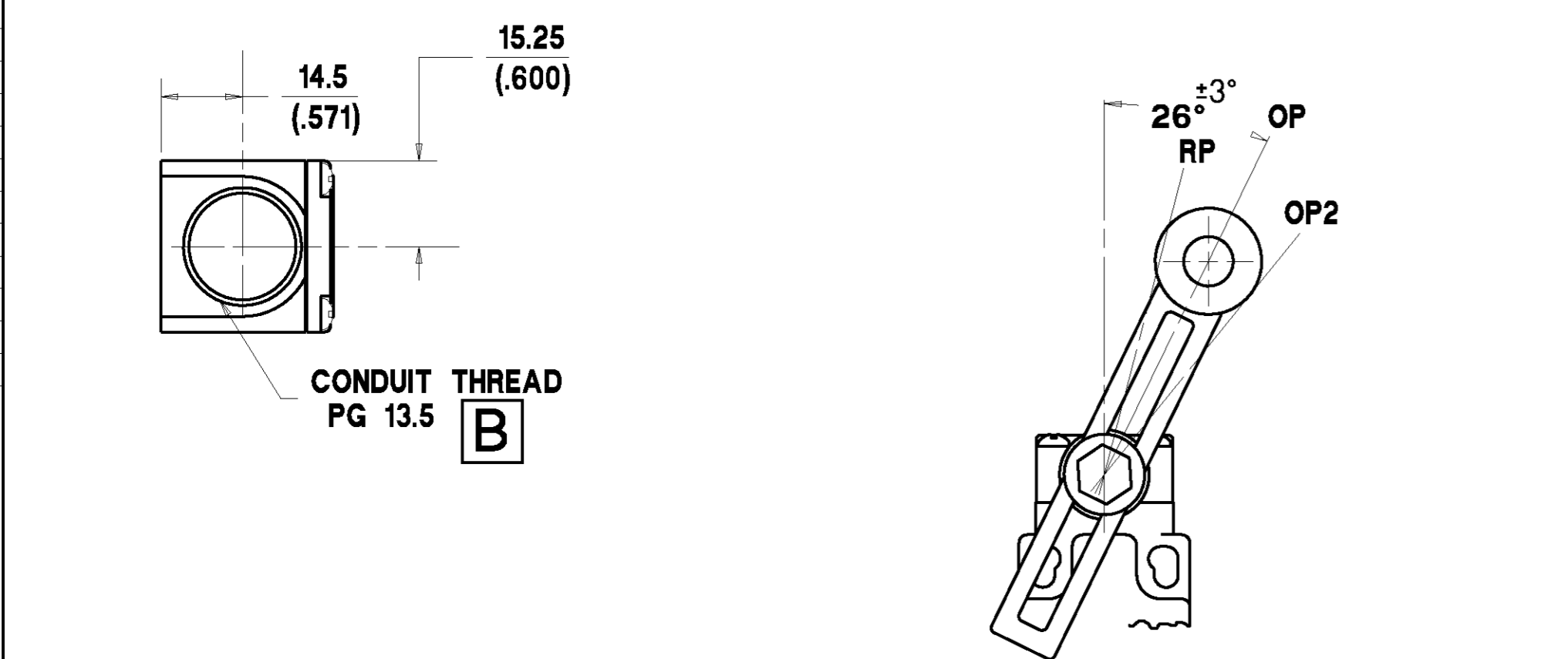
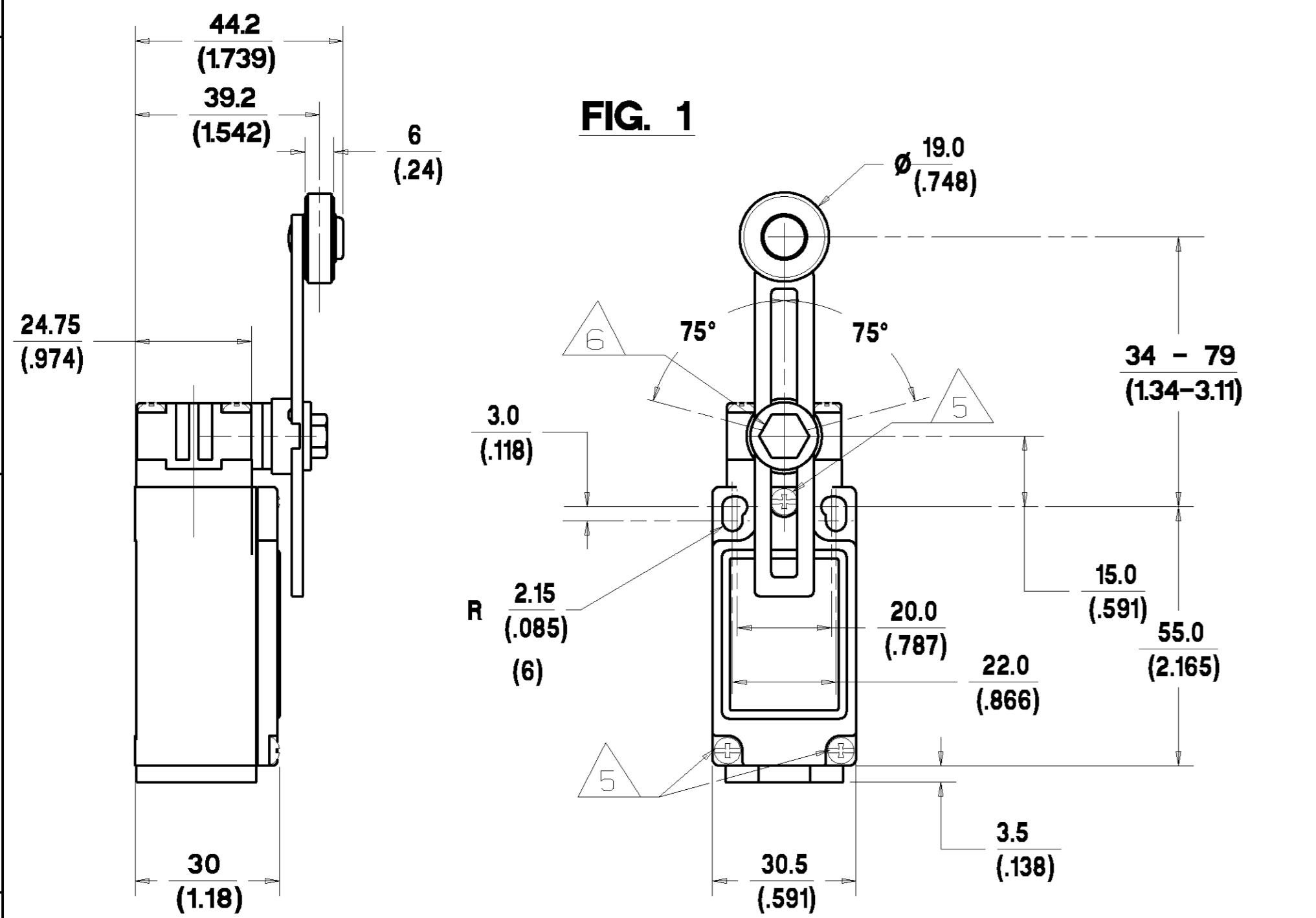


CONTACT BLOCK DIAGRAM TERMINAL DESIGNATION TO EN 50013

**MTG-GL-192**

REPLACES  
DRAWING NUMBER  
AO18-185

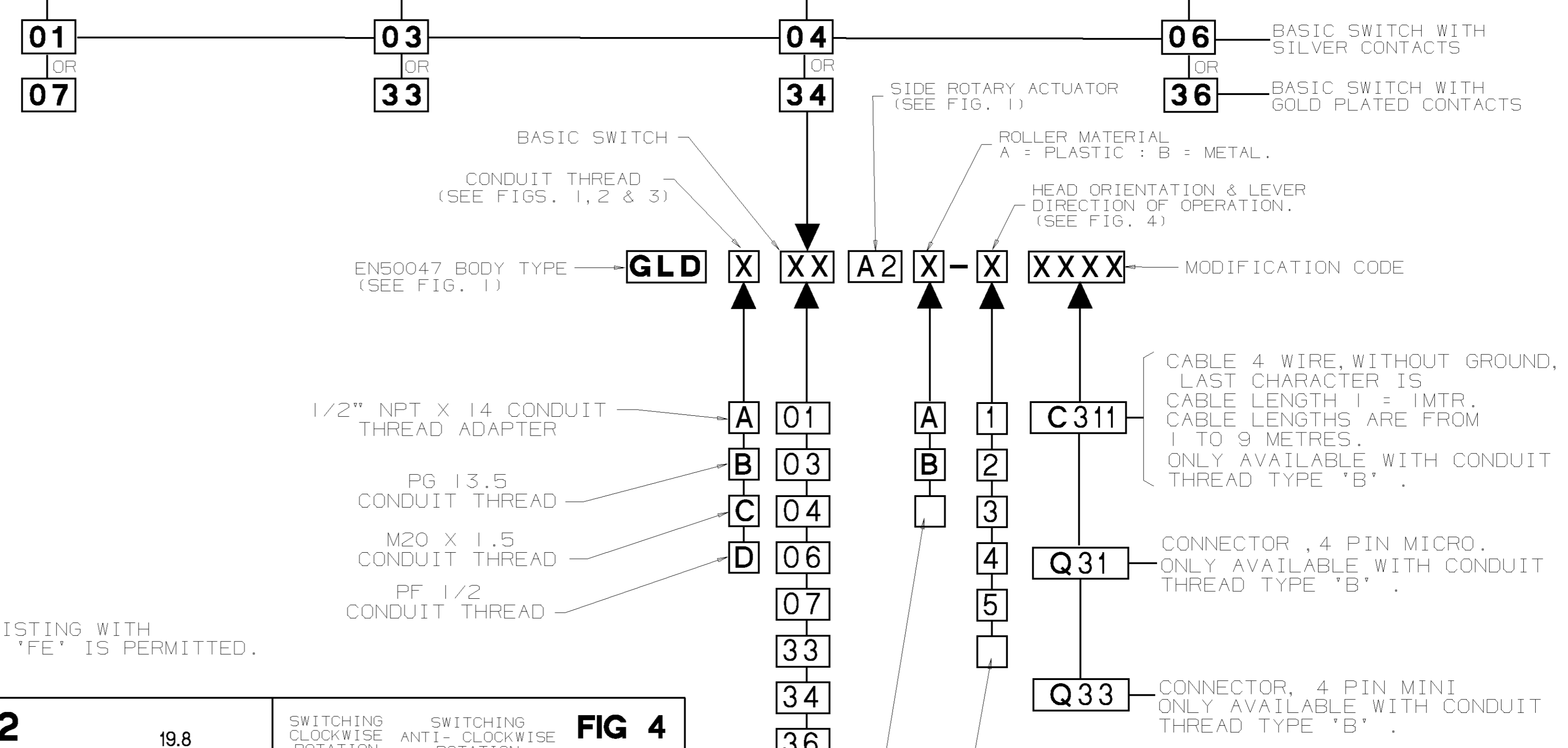
REVISIONS  
ISSUE  
6



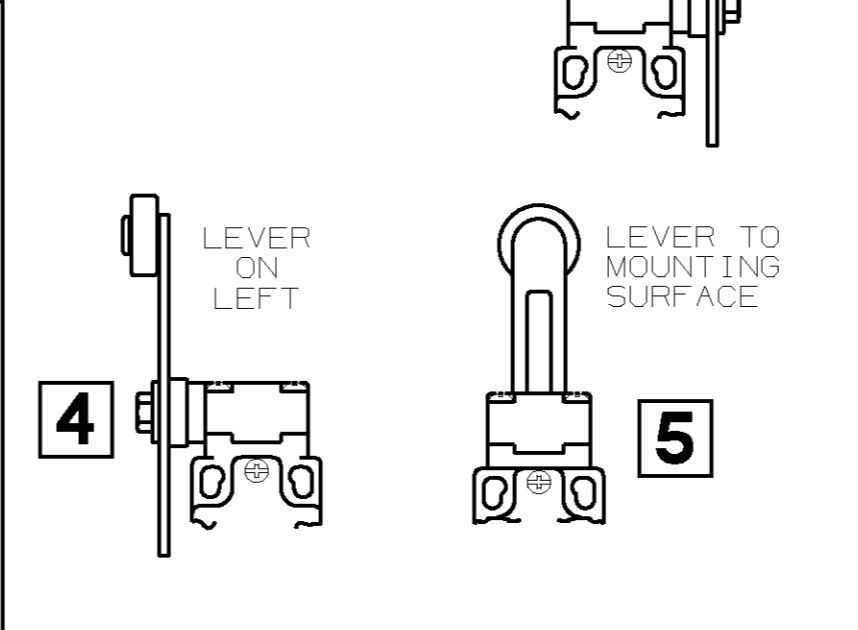
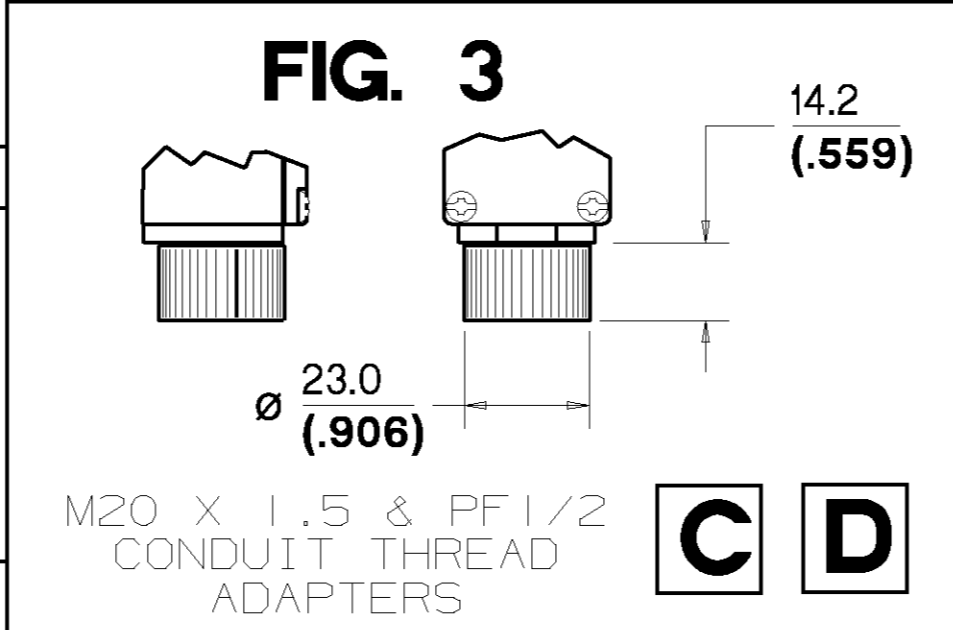
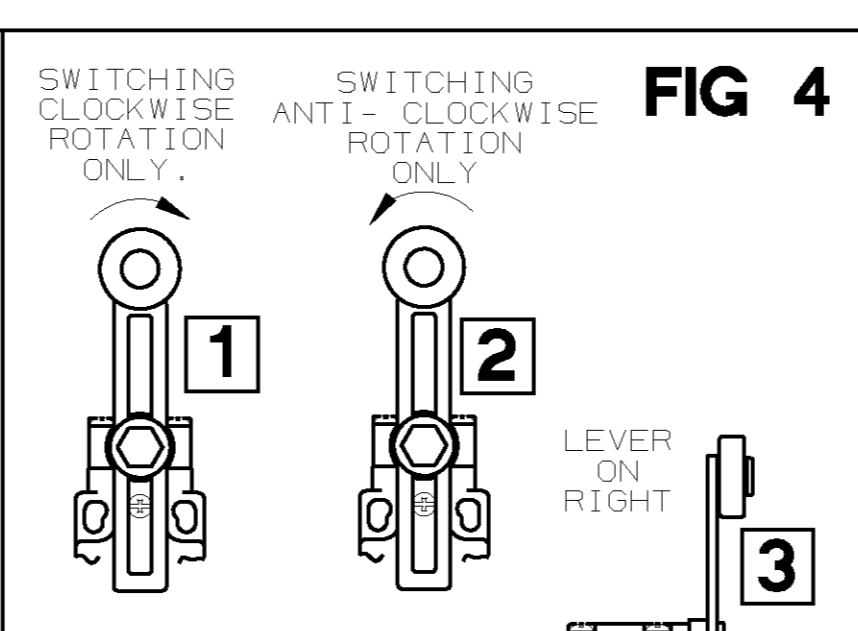
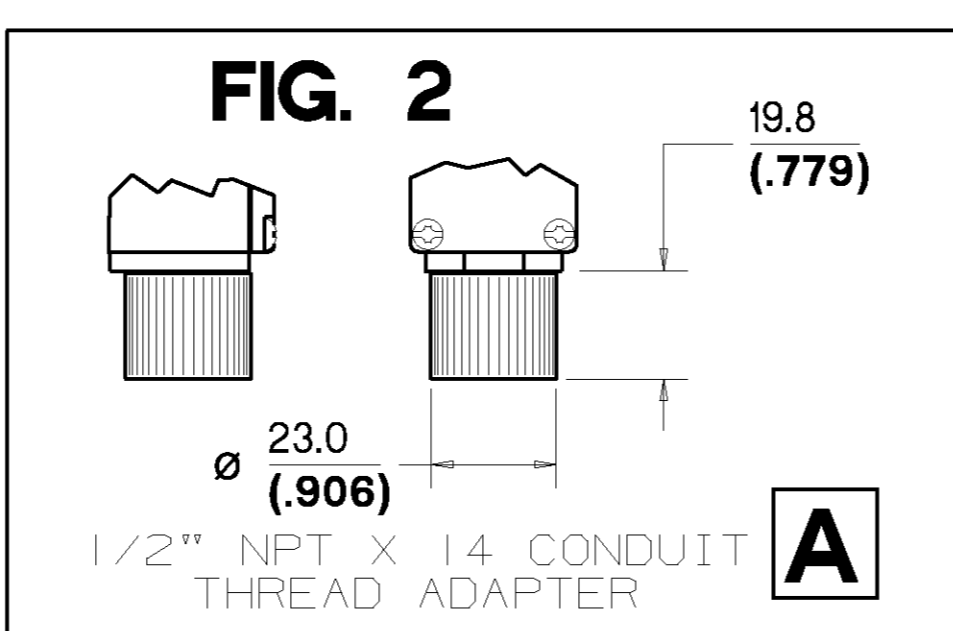
- NOTES:-
- MICRO SWITCH BLUE GLASS FILLED POLYESTER HOUSING & COVER. BLACK GLASS FILLED POLYAMIDE HEAD.
  - ENCLOSURE DOUBLE INSULATED TO IEC 539 CLASS II.
  - MINIMUM OPERATING VELOCITY ( $V_{min}$ ) = 0.26 rad/s (THESE LIMITS APPLY TO CAM OPERATION AS SHOWN IN THE ABOVE DIAGRAMS ONLY)  
MAXIMUM OPERATING VELOCITY ( $V_{max}$ ) = 25 rad/s  
MAXIMUM OPERATING FREQUENCY ( $F_{max}$ ) = 250 OPS/MIN
  - FREE POSITION (FP), OPERATING POINT (OP), OVERTRAVEL (OT) AND PRETRAVEL (PT) ALL TO EN50047.
- 5 MAXIMUM TIGHTENING TORQUE FOR FIXING SCREW = 0.5Nm (4.4in.LB)  
6 MAXIMUM TIGHTENING TORQUE FOR FIXING SCREW = 0.8Nm (7in.LB)

NO CHANGES CAN BE MADE TO THIS DRAWING WITHOUT JOINT NEWHOUSE/FREEPORT APPROVAL

				NOMINAL TRAVELS AND RELATED TERMINALS CONTACT CLOSED CONTACT OPEN * POSITIVE OPENING TO IEC 947-5-1-3
120 (1.1)	110 (1.0)	110 (1.0)	110 (1.0)	NORMAL OPERATING TORQUE MAX <b>Nmm (in.lbs)</b>
140 (1.3)	160 (1.5)	170 (1.6)	150 (1.4)	MAXIMUM DISCONNECT TORQUE <b>Nmm (in.lbs)</b>



NOTE:- ANY STANDARD LISTING WITH SUFFIX 'RS' OR 'FE' IS PERMITTED.



NOTE: FOR CONNECTION DIAGRAMS AND ADDITIONAL ELECTRICAL ENVIRONMENTAL & DIMENSIONAL INFORMATION SEE DRAWING GL-49212.

6/95		6/95		6/95		IEC 947-5-1 ELECTRICAL RATING	
DRAWN M. LOCH		CHECK I. WEIR		DESIGN J. BOYD		AUTHOR P. TRICKETT	
SILVER CONTACTS		GOLD PLATED CONTACTS		ENVIRONMENTAL		APPROVALS	
AC	AC (FOR 2NC)	DC		IP66	NEMA 1, 4, 12, 13	UL	
A600 AC15	A500 AC15	0300 DC13		TEMP RANGE: -25°C TO 85°C		IEC 947-5-1	
Ue	Ue	Ue	Ie	-13°F TO 185°F		EN50047	
120	120	250	0.27	STORAGE: -40°C TO 85°C			
240	240	250	0.27	-40°F TO 185°F			
380	380			SHOCK: 50G PER IEC 68-2-27			
480	480			VIBRATION: 10G PER IEC 68-2-6			
500	500						
600	600						
THE COPYRIGHT OF THIS DRAWING IS THE PROPERTY OF HONEYWELL LTD. THE DRAWING IS SUPPLIED IN CONFIDENCE AND MUST NOT BE USED FOR ANY PURPOSE OTHER THAN THAT FOR WHICH IT IS SUPPLIED.				THIRD ANGLE PROJECTION		SCALE: DIMENSIONS ARE IN MM/INCHES. MODIFY ON CAD SYSTEM ONLY	