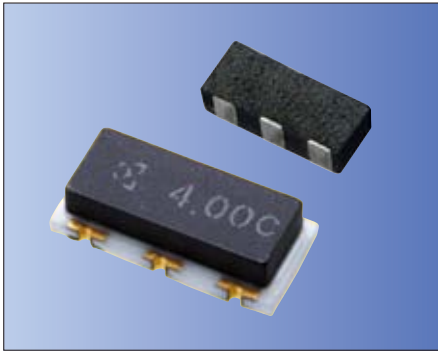


# MHz Band Ceramic Chip Resonators (SMD) PBRV-H/ PBRV-M/ PRQV Series



for Automotive Applications



RoHS Compliant

## Features

- Miniature & low profile
- Rectangular shape allows easy pick and placement
- Component cost and space saving
- High density mounting possible
- Reflow solderable & washable
- High reliability, high temperature operation
- AEC-Q200

## Applications

- Automotive
- ABS
- ECU
- Air-Bag System

## How to Order (PBRV-H,PBRV-M)

**PBRV 15.00 H R 50 Y 000**  
① ② ③ ④ ⑤ ⑥ ⑦

- ① Series (PBRV: Automotive)
- ② Frequency (MHz)
- ③ Type (H, M)
- ④ Packing R: Reel  
(Null): Bulk
- ⑤ Frequency Tolerance at 25°C

<b>10</b>	±0.1%	<b>20</b>	±0.2%
<b>30</b>	±0.3%	<b>40</b>	±0.4%
<b>50</b>	±0.5%	<b>70</b>	±0.7%

- ⑥ Operating Temperature

<b>X</b>	-40°C to 85°C	<b>Y</b>	-40°C to 125°C
<b>Z</b>	-40°C to 150°C		

- ⑦ Unique Code

## How to Order (PRQV)

**PRQV 8.00 C R 50 10 Y 000**  
① ② ③ ④ ⑤ ⑥ ⑦ ⑧

- ① Series (PRQV: Automotive)
- ② Frequency (MHz)
- ③ Type (C)
- ④ Packing R: Reel  
(Null): Bulk
- ⑤ Frequency Tolerance at 25°C

<b>30</b>	±0.3%	<b>40</b>	±0.4%
<b>50</b>	±0.5%	<b>70</b>	±0.7%

- ⑥ Built-in Capacitance 10pF: 10

- ⑦ Operating Temperature

<b>X</b>	-40°C to 85°C	<b>Y</b>	-40°C to 125°C
<b>Z</b>	-40°C to 150°C		

- ⑧ Unique Code

## Specifications

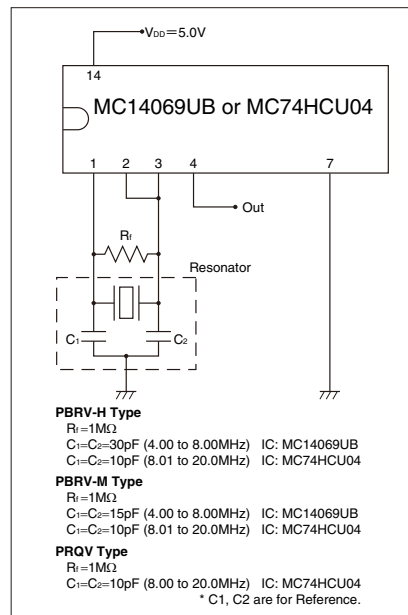
Series	Frequency Range (MHz)	Frequency Tolerance (25°C)	Temperature Stability
<b>PBRV-H</b>	4.00 to 8.00	±0.5% (op. ±0.3%)	Y: ±0.5% (-40 to +125°C) Z: ±0.5% (-40 to +150°C)
<b>PBRV-M</b>	8.01 to 20.00	±0.7% (op. ±0.5%)	Y: ±0.1% (-40 to +125°C) Z: ±0.2% (-40 to +150°C)
<b>PRQV</b>	8.00 to 20.00	±0.5% (op. ±0.3%)	Y: ±0.5% (-40 to +125°C) Z: ±0.5% (-40 to +150°C)

\* Aging for 10 years is within ±0.3% from the initial frequency at 25°C.  
\* Please contact us for products without built-in capacitors.

### Note)

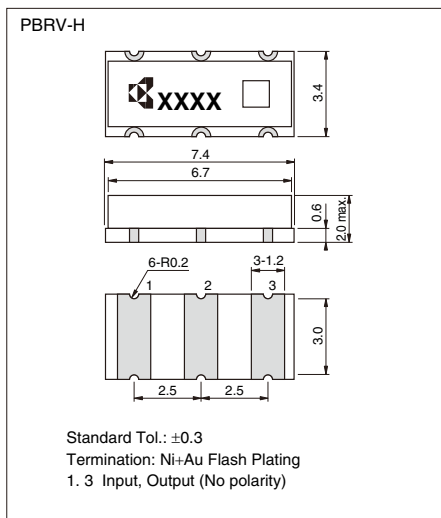
- This product includes built-in capacitors, but values may not be the most appropriate depending on IC's.
- Evaluation of circuit with IC is necessary. IC circuit matching may be referenced with
  - 1) IC data books
  - 2) List of Recommended circuits in Kyocera website.
- Please contact IC manufacturer or Kyocera when there are difficulties in finding recommended circuits.

## Test Circuit

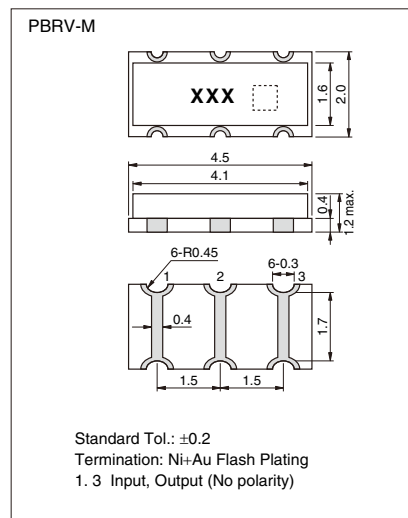


## Dimensions

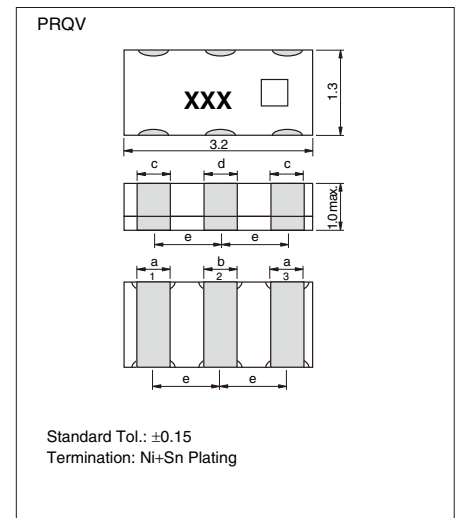
(Unit: mm)



(Unit: mm)



(Unit: mm)



#	Pin #
<b>1</b>	Input
<b>2</b>	Ground
<b>3</b>	Output

(Unit: mm)

Type	Frequency (MHz)	a	b	c	d	e
<b>C</b>	8.00 to 20.00	0.4	0.4	0.6	0.4	1.2