

**SPECIFICATIONS**

**Mechanical**

**Normal Force:** 0.3N min  
**Durability:** 5000 Cycles

**Electrical**

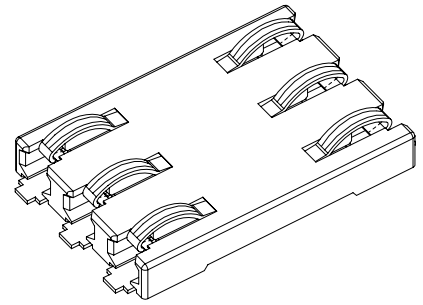
**Voltage Rating:** 15 V max  
**Current Rating:** 0.5 A  
**Contact Resistance:** 100 mΩ max at 10mA.  
**Dielectric Withstanding Voltage:** 540V AC/1 min.  
**Insulation Resistance:** 1000 MΩ min (initial), 100 MΩ min (final),

**Physical**

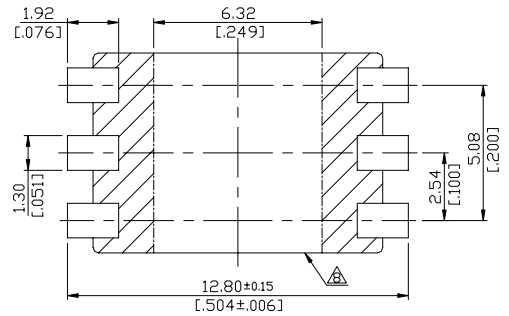
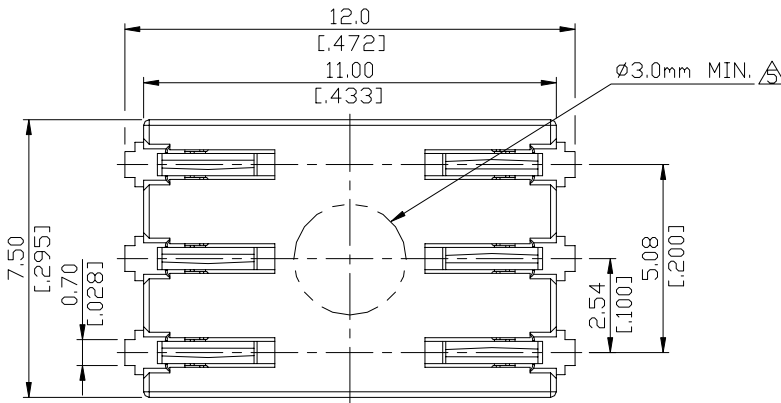
**Insert molding:** THERMOPLASTIC UL 94V-0, Color Black  
**Contact:** Copper Alloy  
**Plating:** See "ORDERING INFORMATION"  
**Operating Temperature:** -30°C to +85°C

**WL Series**

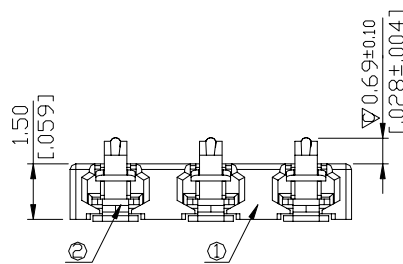
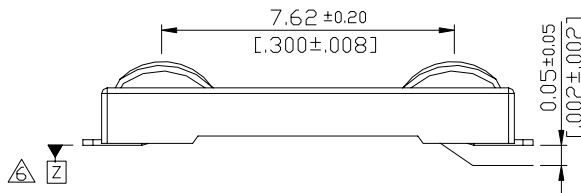
**SIM Card, SMT Type**  
**1.50mm [.059"] Height**  
**6 Pos.**



**DRAWING**



RECOMMENDED PCB LAYOUT(TOP VIEW)



**ORDERING INFORMATION**

**PRODUCT NO.:** WL 6 15 A 3- B02 -TR

SIM Card Conn.

No. Contact  
 6= 6 Pin  
 8= 8 Pin

Body Height  
 05= 2.5mm  
 06= 2.6mm  
 07= 0.7mm  
 08= 2.8mm  
 10= 1.0mm  
 11= 1.1mm  
 90= 9.0mm

Upper Cover Type

A= Upper Cover B= Slider In Type  
 C= Hinge Type D= Metal Hook or Cover Type  
 E= Metal Cover with Push-Push F= Pogo Pin Type  
 G= Metal Cover with Inject&Door H= Compression Type

Contact Area Plating Thickness

1= Gold Flash A= 10u" Pd/Ni +Gold Plating  
 2= 20u" Gold Plating B= 20u" Pd/Ni +Gold Plating  
 3= 30u" Gold Plating C= 30u" Pd/Ni +Gold Plating  
 6= 10u" Gold Plating D= 40u" Pd/Ni +Gold Plating  
 7= 15u" Gold Plating L= 25u" Pd/Ni +Gold Plating

Package And Solder Tail Type

T = Tray  
 TR= Tape & Reel  
 1F= Tray (Lead Free)  
 7F= Tape & Reel (Lead Free)

Modification Code

Code No.: 2 or 3 Code(A-Z or 0-9)