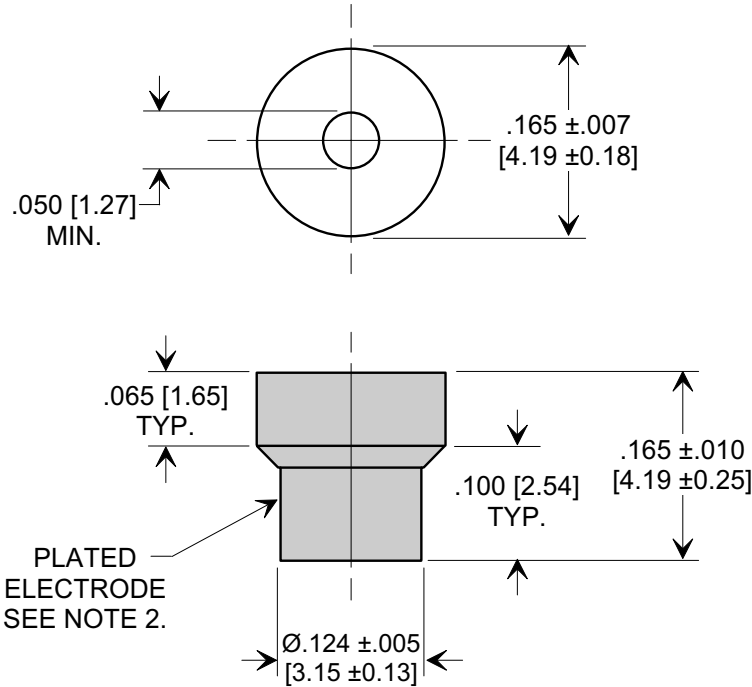
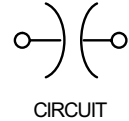
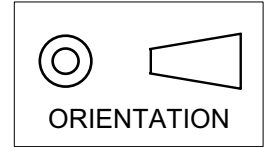


**MARKETING SALES DRAWING**

**DIMENSIONS IN INCHES - DO NOT SCALE THIS DRAWING**  
**DIMENSIONS IN METRIC - [ ]**

This drawing is the property of Tusonix, Inc., and may not be used, reproduced, published or disclosed to others without expressed authorization by Tusonix Inc.

**Electrical Testing**  
**per Tusonix standard**  
**test plans and Mil-Std-202**  
**Test Methods.**



**OPERATING INFORMATION**

STYLE NO.	2461-000
VALUE	1000 pF
VALUE TOL.	GMV
TEMP. COEF.	X7V
RATING	100VDC @ 125°C
OPERATING RANGE	-55°C,+125°C
DWV	600 VDC
I.R. MIN. @ .100 VDC	10 G Ω
TO TUSONIX SPEC. UNLESS STATED OTHERWISE.	

**NOTES:**

- TUSONIX STANDARD PART NUMBER: 2461-000-X7V0-102AA.  
 TUSONIX RoHS COMPLIANT PART NUMBER:  
 2461-000-X7V0-102AA. LF.  
 CUSTOMER MUST SPECIFY STANDARD OR RoHS PART NUMBER WHEN ORDERING.
- ELECTRODE FINISH: STANDARD PART #: 60/40 SOLDER PLATED.  
 RoHS PART #: MATTE TIN PLATED.
- PART MARKING: STANDARD PART: NO MARKING. RoHS PART: MARKING ON PACKAGING ONLY.

X-2015 Rev-0

<b>REVISION RECORD</b> Original Release C.O. <b>19990323-3-01</b> ADDED METRIC, DWV, I.R. & CIRCUIT. S.M. 11-18-02 <b>20021112-1-02</b> REVISED DRW. TO MATCH CATALOG DWG. S.M. 10-04-04 <b>20040930-2-01</b> SOLDER PLATED WAS TIN. S.M. 06-20-05 <b>20050616-1-03</b> ADDED NOTES. S.M. 07-20-06 <b>20060614-1-05</b>	--TOLERANCES-- Unless Otherwise Specified		Title <b>SHOULDER FEED-THRU</b>	
	DECIMAL ± .015 [0.38]			
	ANGLES ±		Drawn <b>S.M. 03-23-99</b>	Scale <b>6 X</b>
	<b>TUSONIX</b> TUCSON, ARIZONA		Approved <b>E.F. 03-23-99</b>	
		<b>A 2461-000-X7V0-102AA</b>		