

ESCON adapters

Description:

The ESCON adapters are available for both singlemode and multimode performances. The ESCON compatible series includes duplex to ST and duplex to duplex couplings. It is possible to exactly specify your demands concerning choice of standard Flange Mount and Flange Mount with Panel Clips.



Features:

- Choice of Standard Flange Mount and Flange Mount with Panel Clips
- IBM ESCON Compatible
- Optional Panel Clips eliminate the need for screws
- Accommodates 1.77 mm maximum panel thickness
- Multimode and singlemode

Application:

- IBM ESCON data network

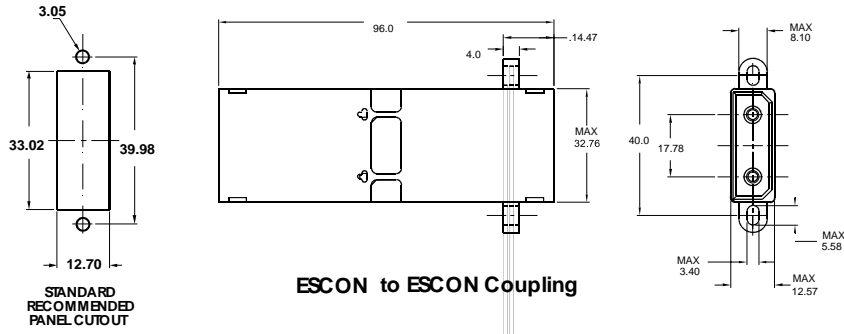
Ordering code:

A - ESCON - XX - XX

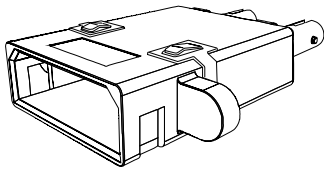
Sleeve
01 zirconia
02 phosphor bronze
03 polymer

Flange Mounting
01 flange mount
02 flange or snap mount

Dimensions:

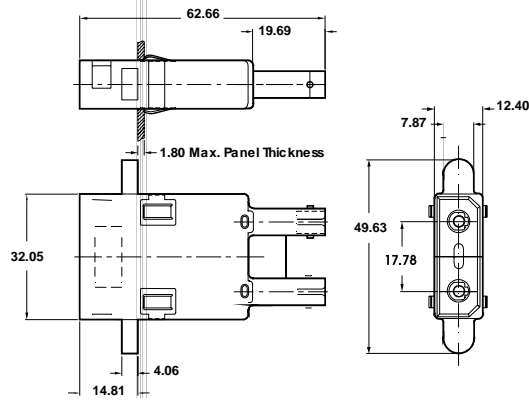


ESCON to ESCON Coupling



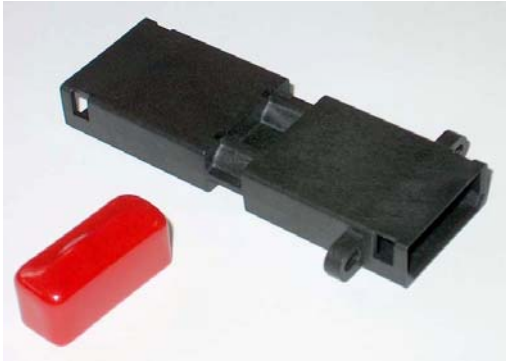
*Recommended Panel Cutout
Size:
1.28 (32.4mm) by 0.5
(12.7mm)*

**Snap-In
ESCON to ST Adapter**

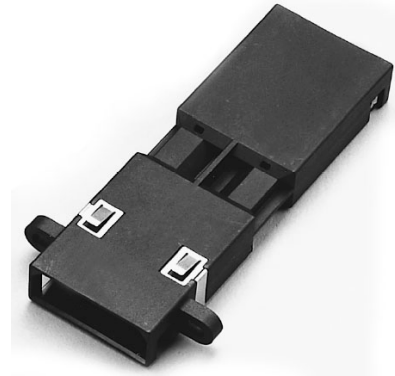


Samples:

A-ESCON-02-01-MM



A-ESCON-02-02-MM



A-ESCON-ST/PC-01-01

