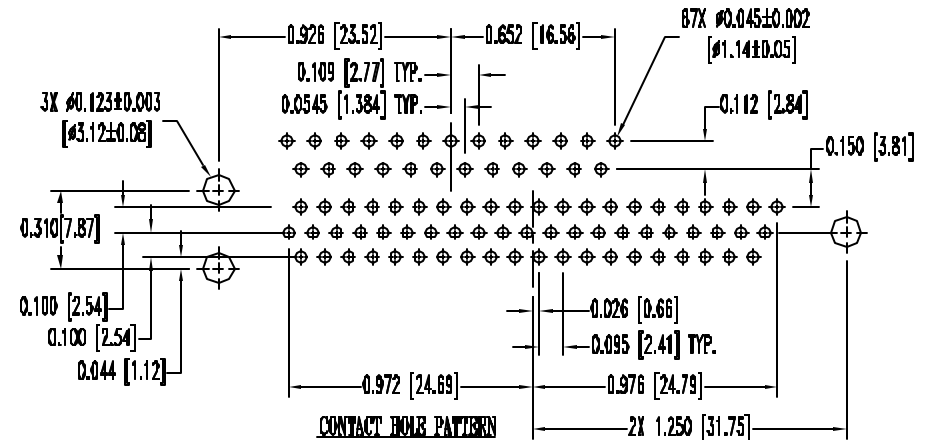
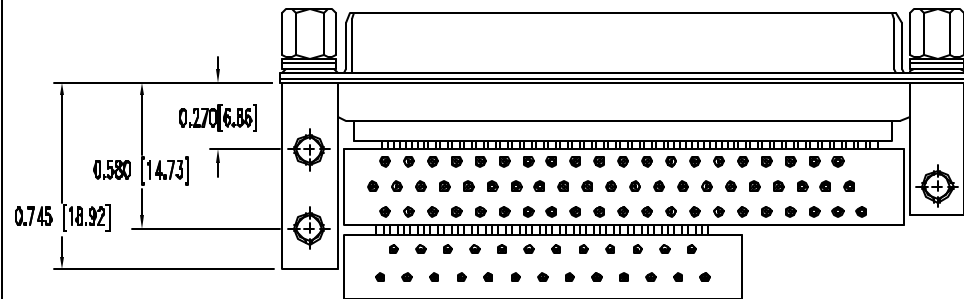
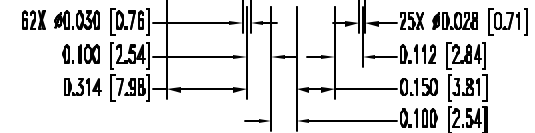
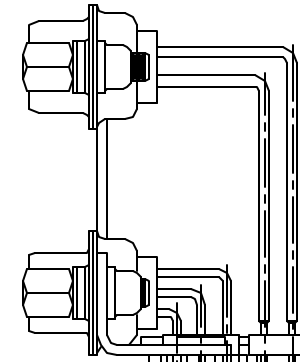
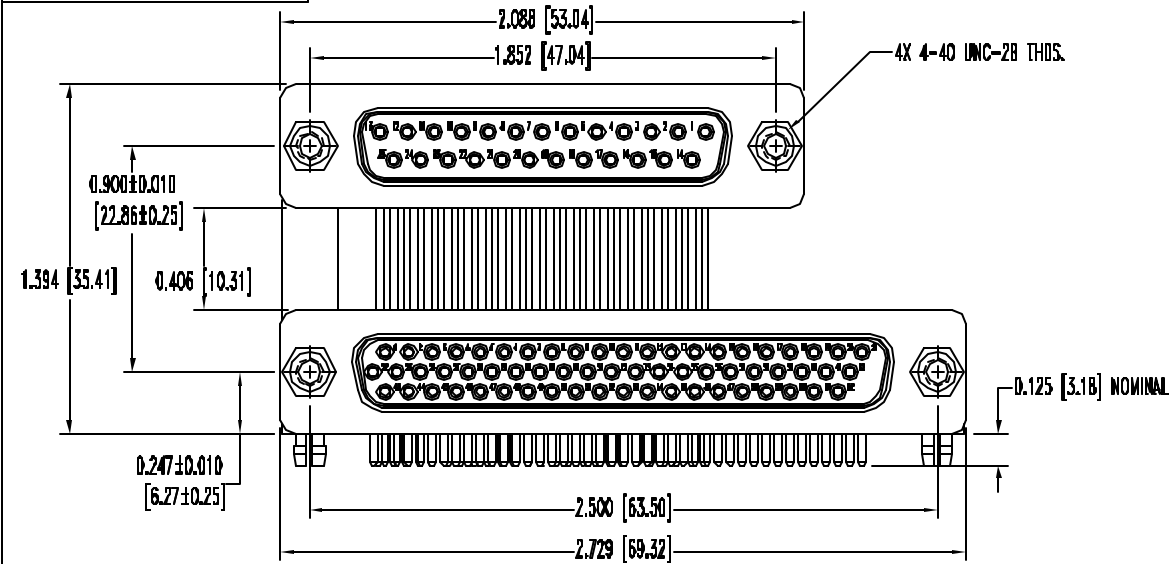


SK3147

POSITRONIC INDUSTRIES BELIEVES THE DATA ON THIS DRAWING TO BE RELIABLE, SINCE THE TECHNICAL INFORMATION IS GIVEN FREE OF CHARGE, THE USER EMPLOYER BUCH INFORMATION AT HIS OWN DISCRETION AND RISK. POSITRONIC INDUSTRIES ASSUMES NO RESPONSIBILITY FOR RESULTS OBTAINED OR DAMAGES INCURRED FROM USE OF BUCH INFORMATION IN WHOLE OR IN PART.

DATE	REV	REVISION RECORD	APP	DR	CK
6-22-99	NC	ECO 15258	RCW	JLG	TK
6-21-99	A	ECO 18118		JLG	



NOTES:

- MATERIALS AND FINISHES:**
 INSULATORS: GLASS FILLED POLYESTER PER MIL-M-24519 AND NYLON RESIN.
 CONTACTS: COPPER ALLOY, GOLD FLASH OVER NICKEL PLATE.
 SHELLS: STEEL WITH TIN PLATE.
 MOUNTING SPACERS AND BRACKETS: BRASS WITH TIN PLATE.
 ALIGNMENT BAR: NYLON RESIN, UL 94V-0, BLACK COLOR.
 PUSH-ON FASTENERS: BERYLLIUM COPPER WITH TIN PLATE.
 JACKSCREW SYSTEMS: STEEL WITH ZINC PLATE AND DICHROMATE SEAL.
- ELECTRICAL CHARACTERISTICS:**
 CONTACT CURRENT RATING: 5 AMPERES NOMINAL.
 INITIAL CONTACT RESISTANCE: 0.010 OHMS MAXIMUM.
 INSULATOR RESISTANCE: 5 G OHMS.
- TEMPERATURE RANGE: -55°C TO +125°C.**
- DIMENSIONS ARE IN INCHES [MILLIMETERS].**



POSITRONIC INDUSTRIES INC.
 www.connectpositronic.com

 DECIMAL TOL. ±0.015 [0.38]	XDC SERIES	SCALE	DRAWN BY
		N.T.S.	J. GREEN
WF # 3842	TITLE XDC25FN8T2/62MN8T2X		
	ANGLULAR TOL. ±5°	DATE 6-22-99	DRAWING NUMBER SK3147