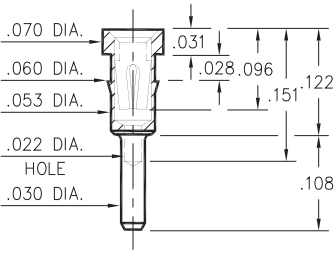
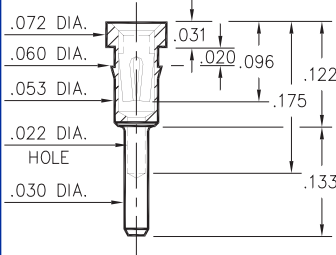


### 0501



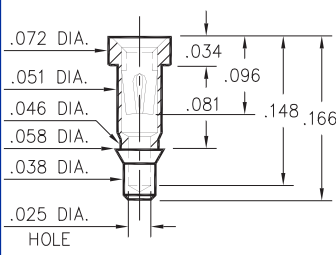
**0501-0-15-XX-30-XX-04-0**  
Press-fit in .057 mounting hole

### 8427



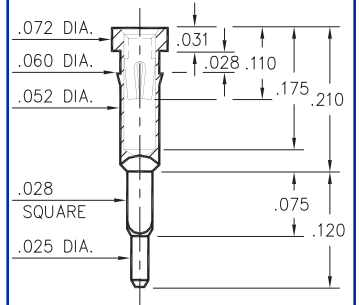
**8427-0-15-XX-30-XX-04-0**  
Press-fit in .057 mounting hole

### 1434



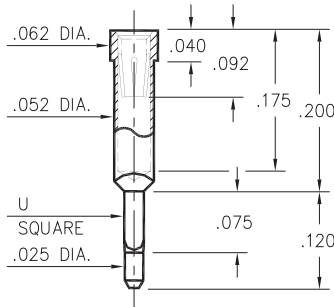
**1434-0-15-XX-30-XX-10-0**  
Press-fit in .055 mounting hole

### 9970



**9970-0-15-XX-30-XX-04-0**  
Square press-fit for .032 ±.002 plated thru hole

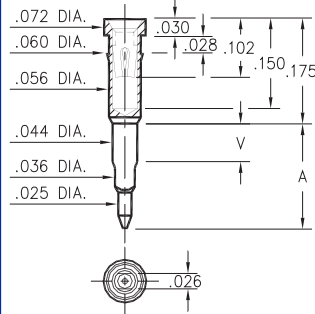
### 5970



**5970-X-15-XX-32-XX-04-0**  
Square press-fit for .032 or .039 ±.002 plated thru hole

Basic Part Number	U Square	Mounting Hole
5970-1	.028	.032
5970-2	.034	.039

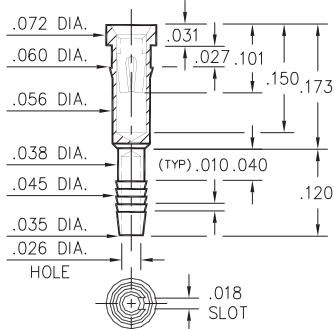
### 0477/0478



**047X-0-18-XX-30-XX-04-0**  
Solderless press-fit in .038 +.003 / -.002 plated thru hole (use 1.1mm drill prior to plating)

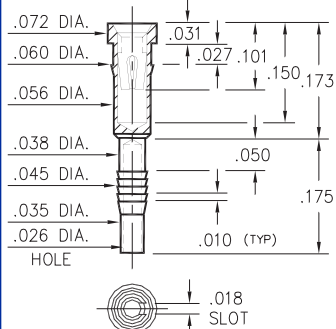
Basic Part Number	Board Thickness	Length V	Length A
0477-0	.062	.075	.175
0478-0	.125	.140	.250

### 4612



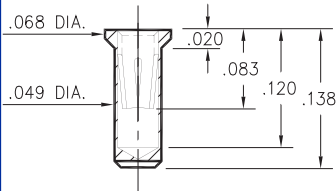
**4612-0-31-XX-30-XX-04-0**  
Compliant press-fit in .040 ±.003 plated hole. For .060 → .100 thick board

### 4613



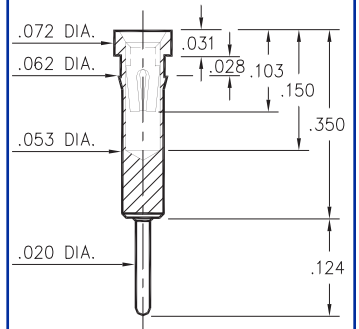
**4613-0-31-XX-30-XX-04-0**  
Compliant press-fit in .040 ±.003 plated hole. For .090 → .130 thick board

### 0680



**0680-0-15-XX-32-XX-10-0**  
Solder mount in .051 min. mounting hole

### 0149



**0149-0-15-XX-30-XX-04-0**  
Press-fit in .059 mounting hole

## SPECIFICATIONS

**SHELL MATERIAL:**  
Brass Alloy 360, 1/2 Hard

**CONTACT MATERIAL:**  
Beryllium Copper Alloy 172, HT

**DIMENSION IN INCHES**  
**TOLERANCES ON:**  
LENGTHS: ±.005  
DIAMETERS: ±.002  
ANGLES: ± 2°

**ORDER CODE: XXXX - X - XX - XX - XX - XX - 0**

**BASIC PART #**

**SPECIFY SHELL FINISH:**  
01 200μ" TIN/LEAD OVER NICKEL  
◇ 80 200μ" TIN OVER NICKEL (RoHS)  
◇ 15 10μ" GOLD OVER NICKEL (RoHS)

**SPECIFY CONTACT FINISH:**  
02 100μ" TIN/LEAD OVER NICKEL  
◇ 84 100μ" TIN OVER NICKEL (RoHS)  
◇ 27 30μ" GOLD OVER NICKEL (RoHS)



**SELECT CONTACT**

#30 or #32 CONTACT (DATA ON PAGES 218 & 219)