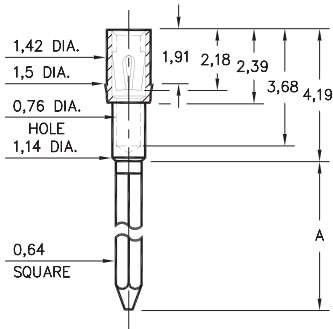


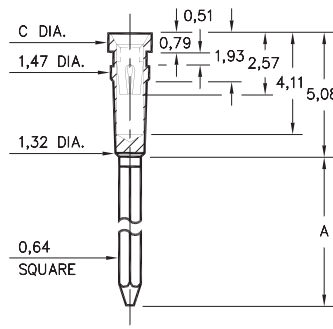
1702/1703



Basic Part Number	# of Wraps	Length A
1702-2	2	9,4
1703-3	3	12,95

170X-X-17-XX-30-XX-02-0
Press-fit in 1,45 mounting hole

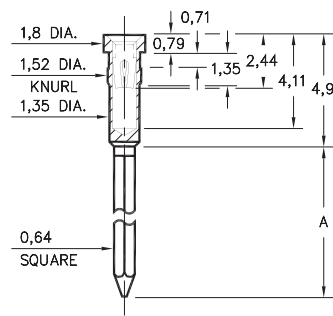
0038⇒0040/0066⇒0068



Basic Part #	# of Wraps	Length A	Dia. C
0040-1	1	6,6	
0039-2	2	9,14	1,83
0038-3	3	12,7	
0068-1	1	6,6	
0067-2	2	9,14	1,57
0066-3	3	12,7	

00XX-X-17-XX-30-XX-02-0
Press-fit in 1,4 mounting hole

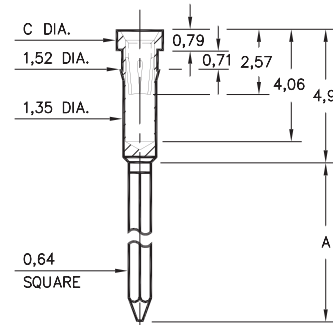
0086/0088/0089



Basic Part Number	# of Wraps	Length A
0089-2	2	9,4
0088-3	3	12,95
0086-4	4	16,0

008X-X-17-XX-3X-XX-02-0
Press-fit in 1,45 mounting hole

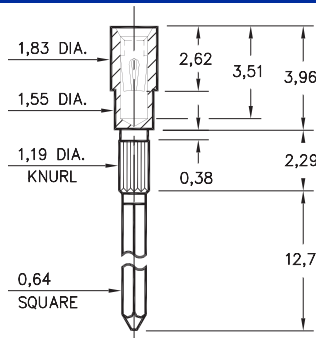
1030⇒1036



Basic Part #	# of Wraps	Length A	Dia. C
1032-1	1	6,6	
1031-2	2	9,14	1,83
1030-3	3	12,95	
1036-1	1	6,6	
1035-2	2	9,14	1,57
1034-3	3	12,95	

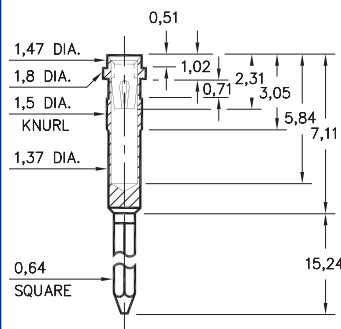
103X-X-17-XX-3X-XX-02-0
Press-fit in 1,45 mounting hole

1045



1045-3-17-XX-30-XX-02-0
Press-fit in 1,09 mounting hole

1040



1040-3-17-XX-30-XX-02-0
Press-fit in 1,42 mounting hole

SPECIFICATIONS

SHELL MATERIAL:
Brass Alloy 360, 1/2 Hard

CONTACT MATERIAL:
Beryllium Copper Alloy 172, HT

DIMENSION IN INCHES TOLERANCES ON:
LENGTHS: ±0,13
DIAMETERS: ±0,05
ANGLES: ± 2°

ORDER CODE: XXXX - X - 17 - XX - XX - XX - 02 - 0

BASIC PART #

SPECIFY SHELL FINISH:

- 01 5,08µm TIN/LEAD OVER NICKEL
- ◇ 80 5,08µm TIN OVER NICKEL (RoHS)
- ◇ 15 0,25µm GOLD OVER NICKEL (RoHS)

SPECIFY CONTACT FINISH:

- 02 2,54µm TIN/LEAD OVER NICKEL
- ◇ 84 2,54µm TIN OVER NICKEL (RoHS)
- ◇ 27 0,76µm GOLD OVER NICKEL (RoHS)



SELECT CONTACT

#30 or #32 CONTACT (DATA ON PAGES 218 & 219)