

Series 805 Plug Connectors



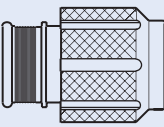
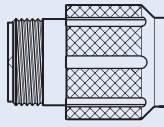
Two Shell Styles: Integral platform for direct shield attachment using BAND-IT® termination system, or accessory thread for attaching a strain relief.

EMI Ground Spring provides low shell-to-shell resistance. This nickel-plated beryllium copper serpentine spring enables the Series 805 to meet greater than 60 dB shielding effectiveness from 100 MHz. to 15 GHz.

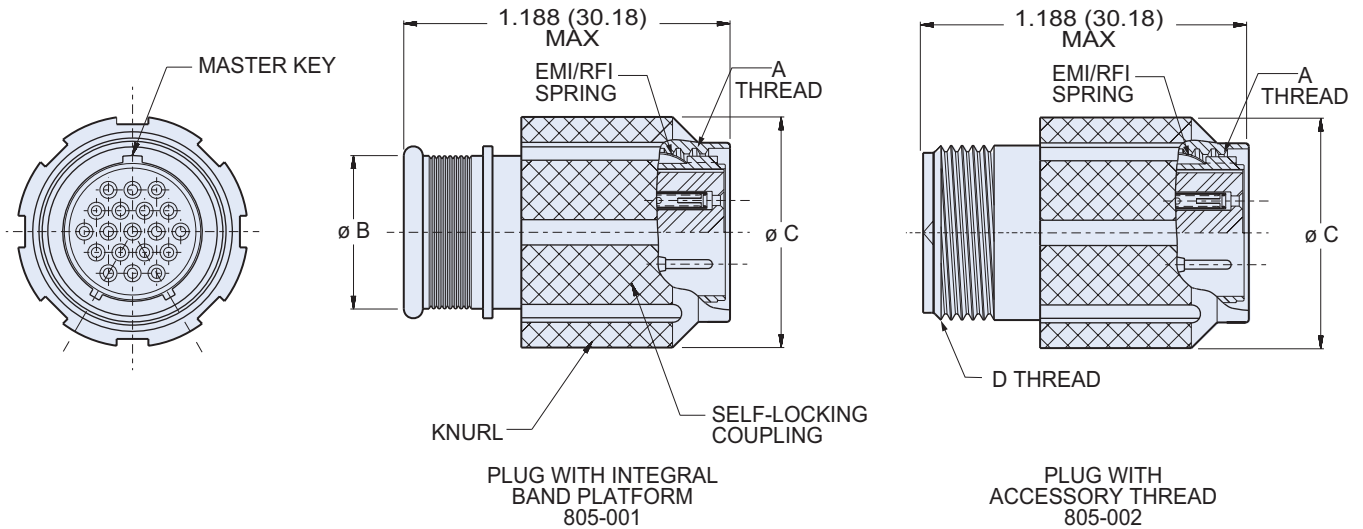
Ratchet Mechanism for Secure Coupling: Series 805 connectors feature a spring mechanism in the coupling nut that locks into radial teeth on the plug barrel. This feature allows the Series 805 to stay mated even when under high vibration, without the need for safety wire or torque tools.

HOW TO ORDER

Sample Part Number

805-002	-16	M	8-4	P	A
Series	Shell Style	Shell Material / Finish	Shell Size- Insert Arrangement	Contact Type	Shell Key Position
 805-001 Plug with Banding Platform	-16 Plug Connector with Ratcheting Anti-Decoupling Mechanism	C Aluminum / Black Anodize M Aluminum / Electroless Nickel NF Aluminum / Cadmium with Olive Drab Chromate ZN Aluminum / Zinc-Nickel with Olive Drab Chromate ZNU Aluminum / Zinc-Nickel with Black Chromate Z1 Stainless Steel / Passivated	8-1 1 #16 Contact 8-4 4 #23 Contacts 8-7 7 #23 Contacts 9-1 1 #12 Contact 9-10 10 #23 Contacts 10-13 13 #23 Contacts 11-4 4 #16 Contacts 11-19 19 #23 Contacts 12-26 26 #23 Contacts 15-2 2 #12 Contacts 15-37 37 #23 Contacts 18-55 55 #23 Contacts 19-85 85 #23 Contacts Size #23 contacts are supplied with connectors. Other contact sizes are ordered separately.	Standard #23 contacts accept #22 through #28 AWG wire. Use the following contact codes to specify these contacts: P Pin S Socket Special contacts for #26 to #30 AWG are also available. Use the following contact codes to specify these contacts: G Pin H Socket	A Position A (Normal) B Position B C Position C D Position D
 805-002 Plug with Accessory Thread					

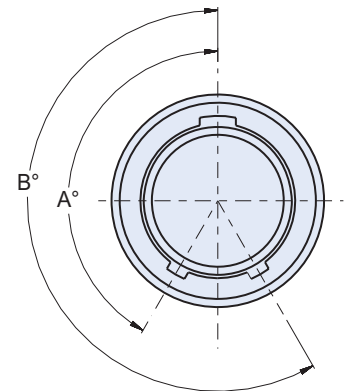
Series 805 Plug Connectors



DIMENSIONS

Shell Size	A Threads	Ø B		Ø C Max.		D Threads Accessory
		In.	mm.	In.	mm.	
8	.5000-.1P-.3L-TS-2B	.317	8.05	.691	17.55	.375-28 UN-2A
9	.5625-.1P-.3L-TS-2B	.397	10.08	.787	19.99	.4375-28 UNEF-2A
10	.6250-.1P-.3L-TS-2B	.473	12.01	.826	20.98	.5000-28 UNEF-2A
11	.6875-.1P-.3L-TS-2B	.519	13.18	.916	23.27	.5625-24 UNEF-2A
12	.7500-.1P-.3L-TS-2B	.585	14.86	.982	24.94	.6250-24 UNEF-2A
15	.9375-.1P-.3L-TS-2B	.687	17.45	1.097	27.86	.7500-20 UNEF-2A
18	1.1250-.1P-.3L-TS-2B	.884	22.45	1.290	32.77	.9375-20 UNEF-2A
19	1.1870-.1P-.3L-TS-2B	.884	22.45	1.310	33.27	.9375-20 UNEF-2A

SERIES 805 KEY POSITIONS



PERFORMANCE SPECIFICATIONS

DWV	500 VAC Sea level
Insulation Resistance	5000 Megohms Minimum
Contact Resistance	8 Milliohms Maximum
Operating Temperature	-55° C. to +150° C.
Immersion	MIL-STD-810 Method 512. One Meter for One Hour.
EMI	60 dB Minimum from 100 MHz. to 10 GHz.

MATERIALS AND FINISHES

Connector Shell	Aluminum or Stainless Steel
Insulator	Liquid Crystal Polymer (LCP)
Seals	Fluorosilicone Rubber, Blue
Pin Contact	Beryllium Copper, Gold over Nickel Plating
Socket Contact	Beryllium Copper, Gold over Nickel Plating, with SST Hood
Contact Retainer Clip	Beryllium Copper, Unplated

Key Position	Key Rotation	
	A	B
Normal (A)	150°	210°
B	75°	210°
C	95°	230°
D	140°	275°