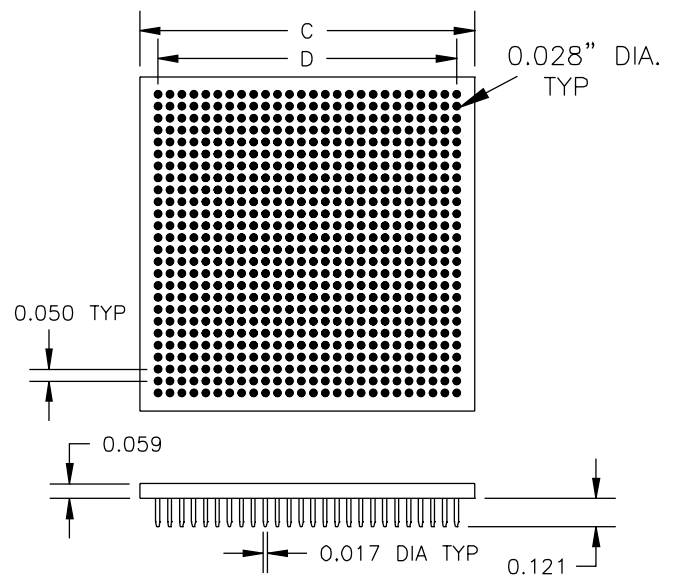
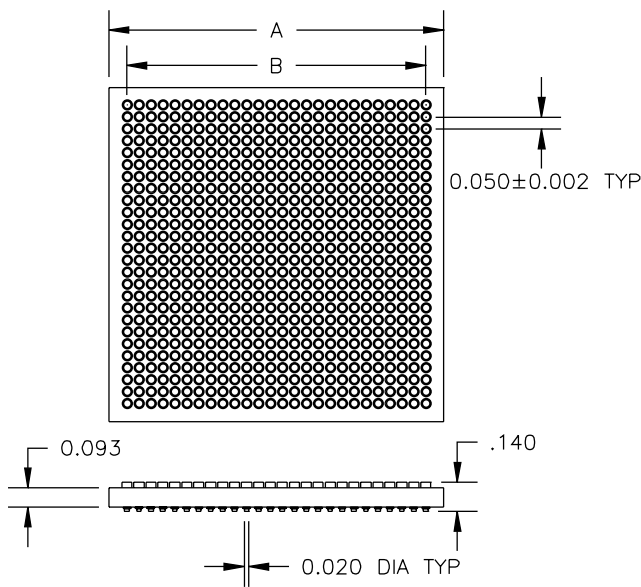
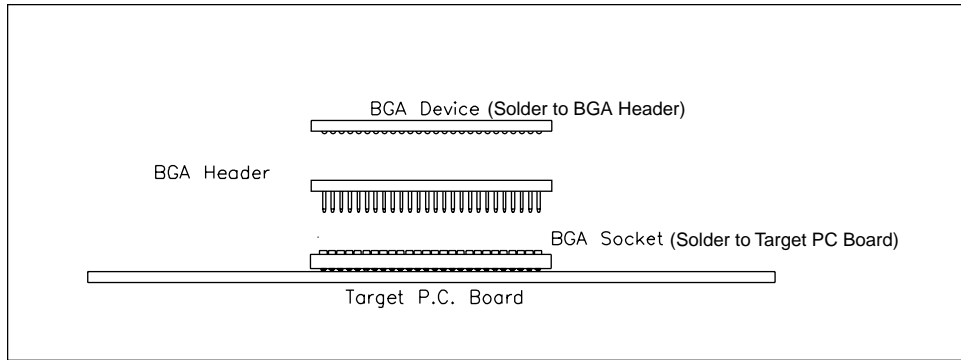




BGA Socketing and Test Products



INSULATOR MATERIAL: FR-4
 SPRING CONTACT MATERIAL: BERYLLIUM COPPER
 CONTACT SHELL: 360 BRASS
 SPRING CONTACT PLATING: 10 microinches gold
 over 50 microinches nickel
 CONTACT SHELL PLATING: 10 microinches gold
 over 100 microinches nickel
 CONTACT INSERTION FORCE: 10.5 grams per contact
 CONTACT WITHDRAWAL FORCE: 5.5 grams per contact

INSULATOR MATERIAL: FR-4
 CONTACT MATERIAL: PHOSPHOR BRONZE
 CONTACT PLATING: 10 microinches gold
 over 50 microinches nickel

Note: Smaller & larger patterns available.
 Please call for more information.

PART NUMBER	ARRAY	DIMENSIONS	
		A	B
985-15x15-nnn-03-30	15X15	0.85	0.70
985-16X16-nnn-03-30	16X16	0.90	0.75
985-17X17-nnn-03-30	17X17	0.95	0.80
985-18X18-nnn-03-30	18X18	1.00	0.85
985-19X19-nnn-03-30	19X19	1.05	0.90
985-20X20-nnn-03-30	20X20	1.10	0.95
985-21X21-nnn-03-30	21X21	1.15	1.00
985-22X22-nnn-03-30	22X22	1.20	1.05
985-23X23-nnn-03-30	23X23	1.25	1.10
985-24X24-nnn-03-30	24X24	1.30	1.15
985-25X25-nnn-03-30	25X25	1.35	1.20
985-26X26-nnn-03-30	26X26	1.40	1.25

nnn - DENOTES NUMBER OF CONTACTS

PART NUMBER	ARRAY	DIMENSIONS	
		A	B
986-15x15-nnn-01-30	15X15	0.85	0.70
986-16X16-nnn-01-30	16X16	0.90	0.75
986-17X17-nnn-01-30	17X17	0.95	0.80
986-18X18-nnn-01-30	18X18	1.00	0.85
986-19X19-nnn-01-30	19X19	1.05	0.90
986-20X20-nnn-01-30	20X20	1.10	0.95
986-21X21-nnn-01-30	21X21	1.15	1.00
986-22X22-nnn-01-30	22X22	1.20	1.05
986-23X23-nnn-01-30	23X23	1.25	1.10
986-24X24-nnn-01-30	24X24	1.30	1.15
986-25X25-nnn-01-30	25X25	1.35	1.20
986-26X26-nnn-01-30	26X26	1.40	1.25