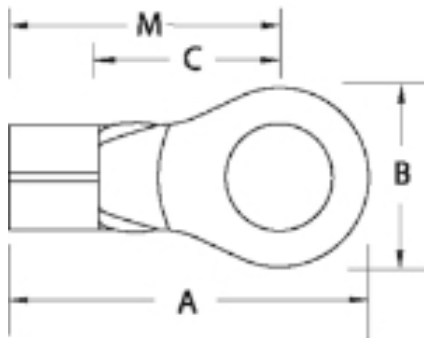




# Sta-Kon®

**T&B Catalog Number:** A18-10  
**UPC Number:** 78621080302  
**Description:** Non-Insulated Ring Terminal For Wire Range 22-16 Stud Size #10, Metallic

**Status:** Active



### WEB\_USE

US Cutsheet PDF Catalog Link <http://www-public.tnb.com/contractor/docs/stakon.pdf>

### Features

These non-insulated ring terminals are made of electrolytic copper for high conductivity. They can be installed with crimping tools having a single indenter or double indenter (recommended for solid wire). Serrated barrel increases grip on wire.

### General

Insulation Type	Non-Insulated
Terminal Series	A
Material	Copper
Finish	Electro -Tin Plated
Color	Metallic
Wire Range	22-16
Stud Size	#10

### Dimension Information

Stock Thickness	.03
A (inches)	.75
B (inches)	.31
C (inches)	.27
M (inches)	.59

### Specifications

Temperature Rating	150°C
Voltage Rating	600V
Flammability Rating	UL 94 V-0

### Tooling

Tool Charts	Available on Website
Application Tools	WT110M, WT111M, WT112M, WT2000, ERG4002
Recommended Tool	ERG4002

### Packaging

T&B Order Multiple	100
T&B Inner Pack	100
Package in Units	500
Package Type	Standard
T&B Sold in UOM	Each
T&B Weight Per UOM	0.21 lbs. per 100
Alternate Package Qty	A87

### Application Support

Overview	Available on Website
Wire Guide Tables	Available on Website

### Certifications

RoHS Compliance Yes

### Certifications



File Nbr:  
E9809

**For further technical assistance, please contact us...**

Thomas & Betts - USA  
8155 T&B Blvd.  
Memphis, TN 38125  
www.tnb.com

T&B Technical Support  
MS 3B-50  
8155 T&B Blvd.  
Memphis, TN 38125

Hours: 7AM - 6PM CDT  
Monday-Friday  
Phone: (888) 862-3289  
Fax: (901) 252-1321  
Email:techsupport@tnb.com