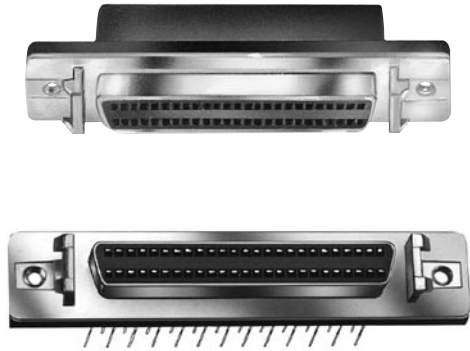


.050" (1.27) SCSI II/III Right Angle and Vertical PCB Mount - M27 Series



PART NUMBER LEGEND

M27X - SXX - XXX - XX

FACE MOUNTING OPTIONS

- 0 = Solid face
- 1 = #4-40 threaded holes
- 2 = #2-56 threaded holes
- 3 = M2,6 Metric threads

BOARD MOUNTING OPTIONS

- 0 = Vertical

(Right angle only)

- 1 = Board locks
- 2 = Flange with #4-40 threaded holes
- 3 = Flange with #2-56 threaded holes
- 4 = M2,6 metric Thread
- 5 = Flange with .125 Dia thru holes

TAIL

- 01 = Right Angle PC tail
- 02 = Vertical PC tail

FACE LATCH OPTIONS

- 2 = Without latch blocks
- 3 = With latch blocks
- 4 = With latch blocks (wrap around shield)
- 5 = With latch blades (die casting shield)

POSITIONS

- 20, 26, 28, 40, 50, 68, 80, 100, 120

SOCKET

PLATING

- T = 5 µin Select Gold Nominal
- 8 = 30 µin Select Gold Nominal

SPECIFICATIONS:

Material:

Shell: Zinc, Nickel-plated
 Insulator: Polybutylene Terephthalate (PBT), glass reinforced thermoplastic, rated UL 94V-0
 Contacts: Phosphor Bronze
 Grounding bracket: Zinc, nickel-plated
 Boardlocks: Phosphor Bronze, Tin-plated

Plating:

Per MIL-G-45204, Type II, Grade C on contact area over 50 µin nominal nickel underplate to QQ-N-290, Class 2, Grade C, 100 µin tin-lead to MIL-P-81738 on solder-tails

Electrical:

Operation voltage: 250 VAC max
 Current rating: 1 Amp max
 Contact resistance: 20 mΩ max
 Insulation resistance: 5000 MΩ min @ 1000 VDC between adjacent contacts (75°F and 50% R.H.)
 Dielectric withstanding voltage: 1000 VDC min RMS (sea level)
 Capacitance: 2 pF max between adjacent contacts

Mechanical:

Insertion force: .10 kg. per contact max.
 Withdrawal force: .02 kg. per contact min.

Environmental:

Operating temperature: -65°C to +125°C

MATING OPTIONS:

Mates with Methode M27 Series Connectors and all other SCSI II and SCSI III compatible connectors.

PACKAGING:

Anti-static plastic trays or tubes available



North and South America:

Methode Electronics, Inc. Connector Products
 1700 Hicks Road • Rolling Meadows, IL 60008 USA
 847-392-3500 • Toll Free: 800-323-6864 • Fax: 847-392-9404
 Email: info@methode.com • Web: www.methode.com/connector/index.html

Europe:

Methode Electronics Ireland, Ltd.
 11 Annacotty Business Park • Limerick, Ireland
 353 61 330013 • Fax: 353 61 330803
 Email: info@methode.ie • Web: ireland.methode.com/main.html

Far East:

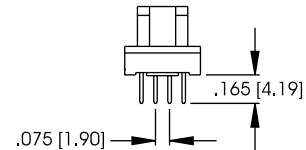
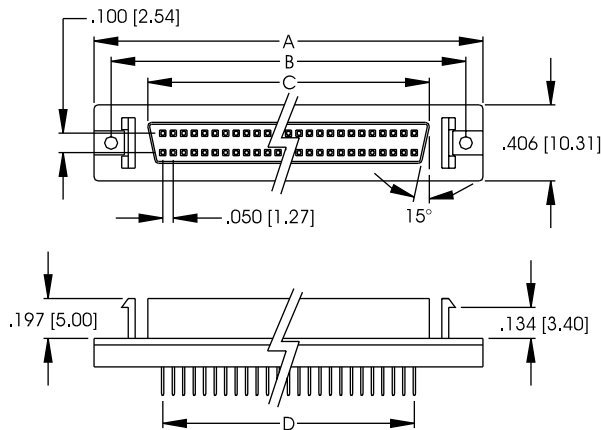
Methode Electronics Far East, Pte. Ltd.
 1 Tuas Lane, Jurong Town • Singapore 638610
 65-68615444 • Fax: 65-68614777
 Email: sales@methode.com.sg • Web: www.methode.com/mefe/index.html

.050" (1.27) SCSI II/II

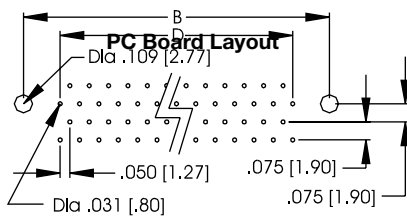
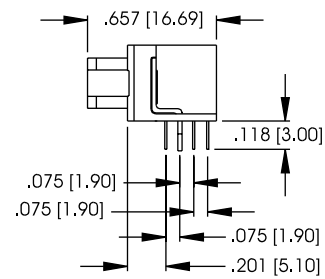
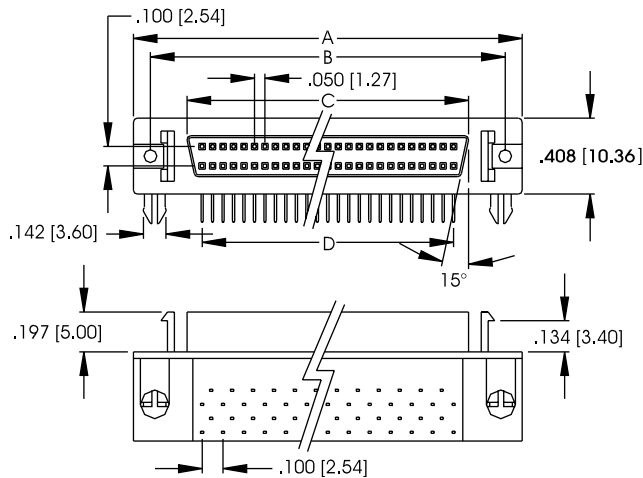
Right Angle and Vertical PCB Mount - M27 Series



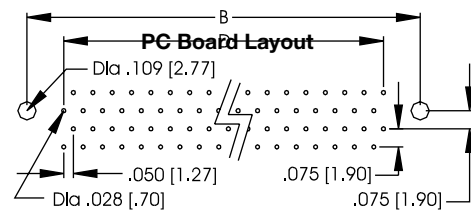
SOCKET-VERTICAL



SOCKET-RIGHT ANGLE MOUNT



**26 and 50 Positions
COMPONENT SIDE**



**20, 28, 40, 68, 80, 100 and 120 Positions
BOTTOM SIDE**

Dimensions:

POSITIONS	20	26	28	40	50	68	80	100	120
A	1.323 (33.60)	1.469 (37.30)	1.523 (38.68)	1.823 (46.30)	2.073 (52.65)	2.523 (64.08)	2.823 (71.70)	3.323 (84.40)	3.823 (97.10)
B	1.081 (27.45)	1.228 (31.20)	1.281 (32.53)	1.581 (40.15)	1.831 (46.50)	2.281 (57.93)	2.581 (65.55)	3.081 (78.25)	3.581 (90.95)
C	0.600 (15.25)	0.750 (19.05)	0.800 (20.33)	1.100 (27.95)	1.350 (34.30)	1.800 (45.73)	2.100 (53.35)	2.600 (66.05)	3.100 (78.75)
D	0.450 (11.43)	0.600 (15.24)	0.650 (16.51)	0.950 (24.13)	1.200 (30.48)	1.650 (41.91)	1.950 (49.53)	2.450 (62.23)	2.950 (74.93)



North and South America:

Methode Electronics, Inc. Connector Products

1700 Hicks Road • Rolling Meadows, IL 60008 USA
847-392-3500 • Toll Free: 800-323-6864 • Fax: 847-392-9404

Europe:

Methode Electronics Ireland, Ltd.

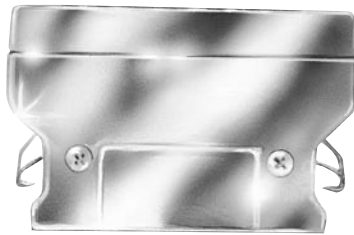
11 Annacotty Business Park • Limerick, Ireland
353 61 330013 • Fax: 353 61 330803
Email: info@methode.ie • Web: ireland.methode.com/main.html

Far East:

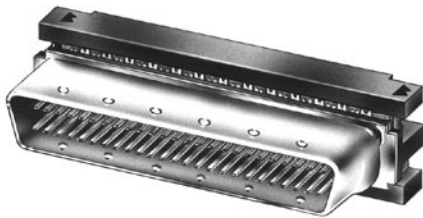
Methode Electronics Far East, Pte. Ltd.

1 Tuas Lane, Jurong Town • Singapore 638610
65-68615444 • Fax: 65-68614777
Email: sales@methode.com.sg • Web: www.methode.com/mefe/index.html

.050" (1.27) SCSI II/III IDC Termination Straddle Mount M27 Series



METAL HOOD



STRADDLE MOUNT CONNECTOR

STRADDLE MOUNT CONNECTOR

PART NUMBER LEGEND

M27X - PXX - XX - X

MOUNTING OPTIONS

- 1 = Flangeless for use with assembled, squeeze-latch hood
- 2 = Flanges with threaded mounting holes
- 3 = Flangeless (Flat Cable)

CONTACT TYPE

- 01 = Plug, IDC Discrete wire Termination
- 02 = Plug, All Plastic IDC Flat Cable Termination
- 03 = Plug, PCB Straddle Mount
- 04 = Plug, IDC (Flat Cable)
- 05 = Plug, Vert (All Plastic)

POSITIONS

50, 68

PLATING

- T = 5 µin Select Gold Nominal
- 8 = 30 µin Select Gold Nominal

METAL HOOD

PART NUMBER LEGEND

M270 - XX - BKSH01

POSITIONS

50, 68

SPECIFICATIONS:

Material:

Connector Shell: Steel, tin-plated
 Insulator: Polybutylene Terephthalate (PBT), glass reinforced thermoplastic, rated UL 94V-0
 Contacts: Phosphor Bronze
 Metal Backshell: Zinc, nickel-plated

Plating:

Per MIL-G-45204, Type II, Grade C on contact area over 50 µin nominal nickel underplate to QQ-N-290, Class 2, Grade C, 100 µin tin-lead to MIL-P-81738 on solder-tails

Electrical:

Operation voltage: 250 VAC max
 Current rating: 1 Amp max
 Contact resistance: 20 mΩ max
 Insulation resistance: 5000 MΩ min @ 1000 VDC between adjacent contacts (75°F and 50% R.H.)
 Dielectric withstanding voltage: 1000 VDC min RMS (sea level)
 Capacitance: 2 pF max between adjacent contacts

Mechanical:

Insertion force: .10 kg. per contact max.
 Withdrawal force: .02 kg. per contact min.

Environmental:

Operating temperature: -65°C to +125°C

MATING OPTIONS:

Mates with Methode M27 Series Connectors and all other SCSI II and SCSI III compatible connectors.

PACKAGING:

Anti-static plastic trays or tubes available



North and South America:

Methode Electronics, Inc. Connector Products
 1700 Hicks Road • Rolling Meadows, IL 60008 USA
 847-392-3500 • Toll Free: 800-323-6864 • Fax: 847-392-9404
 Email: info@methode.com • Web: www.methode.com/connector/index.html

Europe:

Methode Electronics Ireland, Ltd.
 11 Annacotty Business Park • Limerick, Ireland
 353 61 330013 • Fax: 353 61 330803
 Email: info@methode.ie • Web: ireland.methode.com/main.html

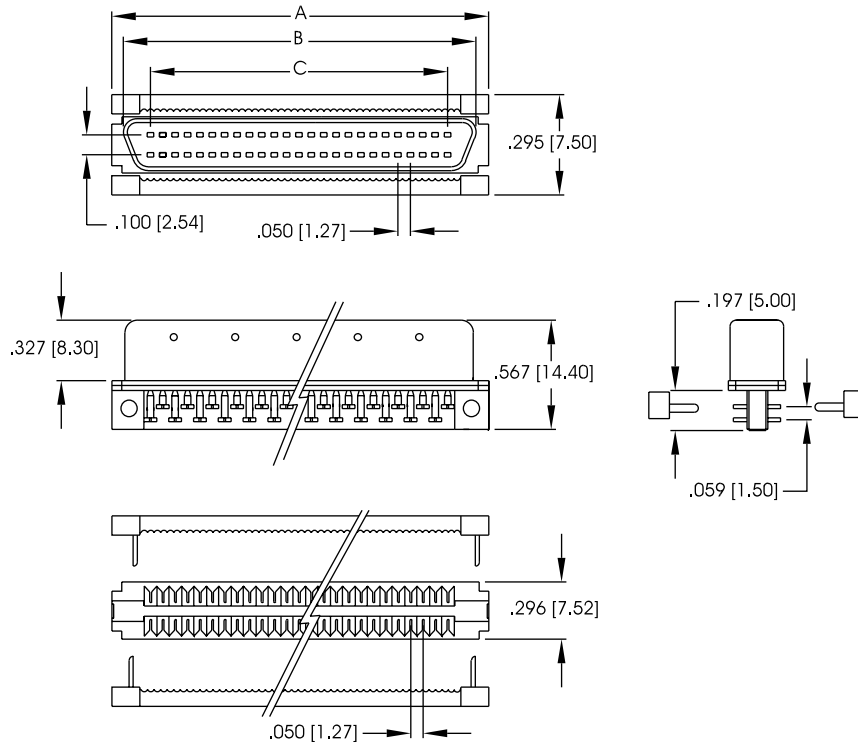
Far East:

Methode Electronics Far East, Pte. Ltd.
 1 Tuas Lane, Jurong Town • Singapore 638610
 65-68615444 • Fax: 65-68614777
 Email: sales@methode.com.sg • Web: www.methode.com/mefe/index.html

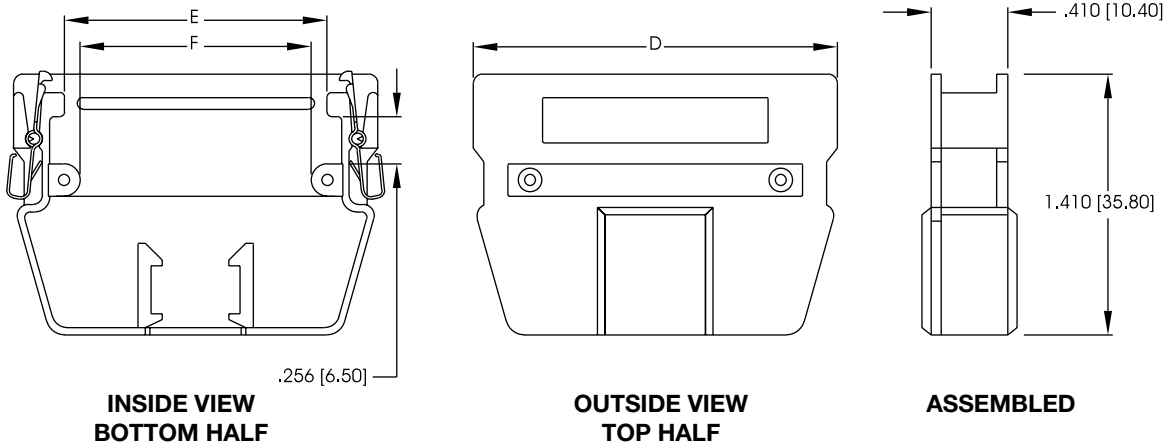
.050" (1.27) SCSI II/III IDC Termination - M27 Series



IDC PLUG



METAL BACKSHELL



Unit: Inch / mm

Dimensional:							
Connector	Metal Hood	A	B	C	D	E	F
M27X-P50-01-1	M270-50-BKSH01	1.58 (40.13)	1.37 (34.80)	1.20 (30.48)	1.97 (50.04)	1.42 (36.07)	1.24 (31.50)
M27X-P68-01-1	M270-68-BKSH01	2.01 (51.05)	1.81 (45.97)	1.65 (41.91)	2.42 (61.47)	1.87 (47.50)	1.73 (43.94)



North and South America:

Methode Electronics, Inc. Connector Products

1700 Hicks Road • Rolling Meadows, IL 60008 USA
847-392-3500 • Toll Free: 800-323-6864 • Fax: 847-392-9404

Email: info@methode.com • Web: www.methode.com/connector/index.html

Europe:

Methode Electronics Ireland, Ltd.

11 Annacotty Business Park • Limerick, Ireland
353 61 330013 • Fax: 353 61 330803

Email: info@methode.ie • Web: ireland.methode.com/main.html

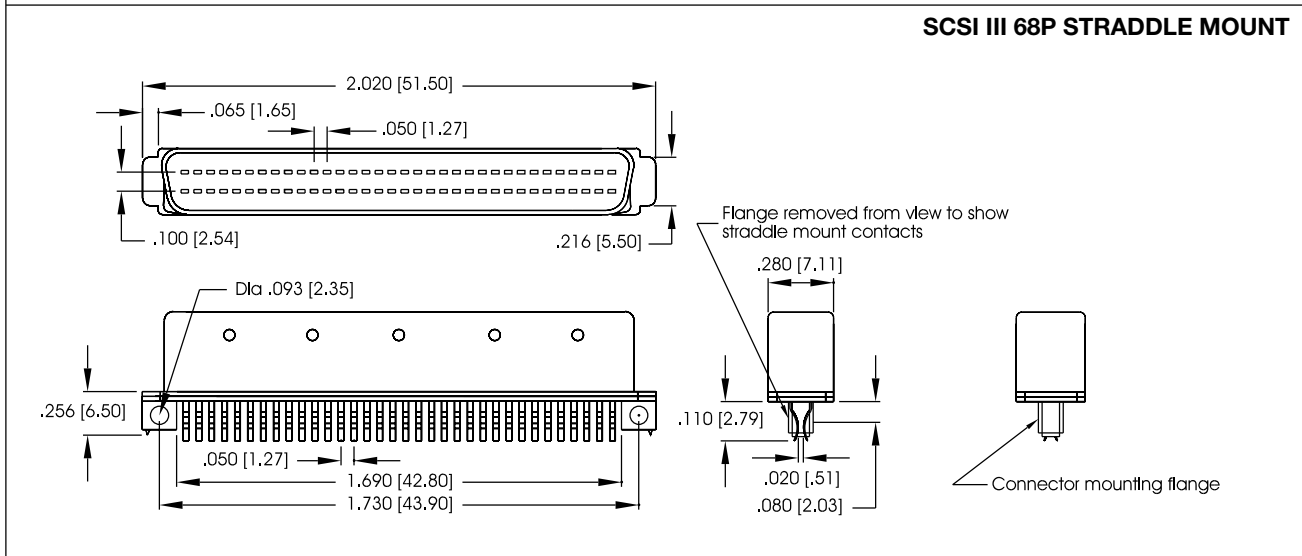
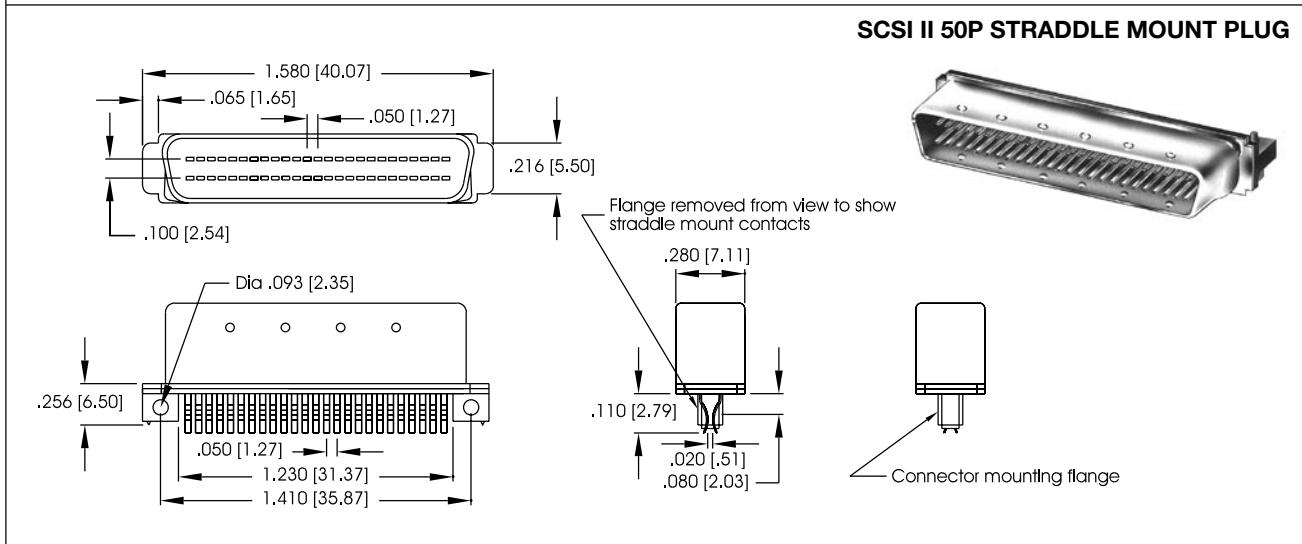
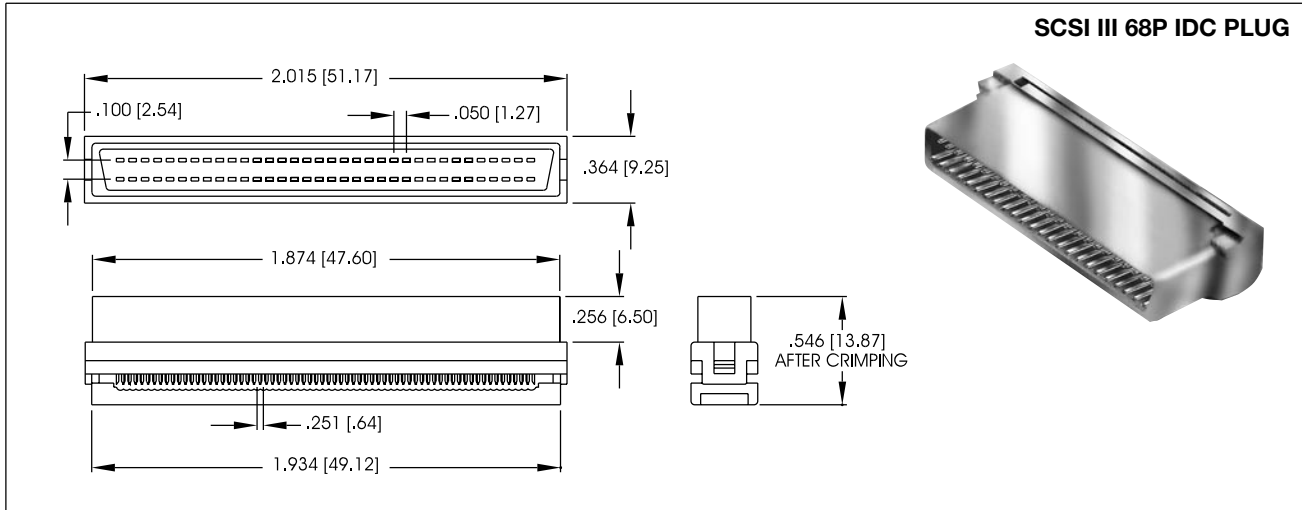
Far East:

Methode Electronics Far East, Pte. Ltd.

1 Tuas Lane, Jurong Town • Singapore 638610
65-68615444 • Fax: 65-68614777

Email: sales@methode.com.sg • Web: www.methode.com/mefe/index.html

.050" [1.27] SCSI II/III IDC and Straddle Mount Termination - M27 Series

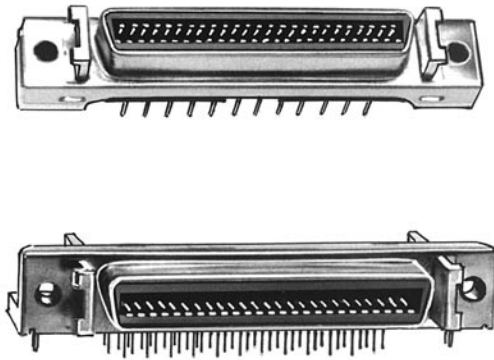


North and South America:
Methode Electronics, Inc. Connector Products
 1700 Hicks Road • Rolling Meadows, IL 60008 USA
 847-392-3500 • Toll Free: 800-323-6864 • Fax: 847-392-9404
 Email: info@methode.com • Web: www.methode.com/connector/index.html

Europe:
Methode Electronics Ireland, Ltd.
 11 Annacotty Business Park • Limerick, Ireland
 353 61 330013 • Fax: 353 61 330803
 Email: info@methode.ie • Web: ireland.methode.com/main.html

Far East:
Methode Electronics Far East, Pte. Ltd.
 1 Tuas Lane, Jurong Town • Singapore 638610
 65-68615444 • Fax: 65-68614777
 Email: sales@methode.com.sg • Web: www.methode.com/mefe/index.html

.050" (1.27) Ribbon Connector Right Angle and Vertical PCB Mount - M27 Series



STRADDLE MOUNT CONNECTOR

PART NUMBER LEGEND

M27X- RXX-X-XX-X-X

FACE OPTIONS

- 1 = #4-40 threaded holes
- 2 = #2-56 threaded holes

BOARD MOUNTING OPTIONS

- 0 = Vertical

(Right angle only)

- 1 = Board locks
- 2 = Flange with #4-40 threaded holes
- 3 = Flange with #2-56 threaded holes

TAIL

- 01 = Right Angle PC Tail
- 02 = Vertical PC Tail

FACE OPTIONS

- 2 = Without latch blocks
- 3 = With latch blocks

POSITIONS

- 14, 20, 50, 68

RECEPTACLE

PLATING

- T = 5 µin Select Gold Nominal
- 8 = 30 µin Select Gold Nominal

SPECIFICATIONS:

Material:

Shell: Steel, tin-plated

Insulator: Polybutylene Terephthalate (PBT), glass reinforced thermoplastic, rated UL 94V-0

Contacts: Phosphor Bronze

Grounding bracket: Zinc, plated nickel over copper

Plating:

Per MIL-G-45204, Type II, Grade C on contact area over 50 µin nickel underplate to QQ-N-290, Class 2, Grade C, 100 µin tin-lead to MIL-P-81738 on solder-tails

Electrical:

Operation voltage: 250 VAC max

Current rating: 1 Amp max

Contact resistance: 20 mΩ max

Insulation resistance: 5000 MΩ min @ 1000 VDC between adjacent contacts (75°F and 50% R.H.)

Dielectric withstanding voltage: 1000 VDC min RMS (sea level)

Capacitance: 2 pF max between adjacent contacts

Mechanical:

Insertion force: .10 kg per contact max.

Withdrawal force: .02 kg per contact min.

Environmental:

Operating temperature: -65°C to +125°C

MATING OPTIONS:

Mates with Methode M27 Series Connectors and all other .050" Ribbon compatible connectors

PACKAGING:

Anti-static plastic trays or tubes available



North and South America:

Methode Electronics, Inc. Connector Products

1700 Hicks Road • Rolling Meadows, IL 60008 USA

847-392-3500 • Toll Free: 800-323-6864 • Fax: 847-392-9404

Email: info@methode.com • Web: www.methode.com/connector/index.html

Europe:

Methode Electronics Ireland, Ltd.

11 Annacotty Business Park • Limerick, Ireland

353 61 330013 • Fax: 353 61 330803

Email: info@methode.ie • Web: ireland.methode.com/main.html

Far East:

Methode Electronics Far East, Pte. Ltd.

1 Tuas Lane, Jurong Town • Singapore 638610

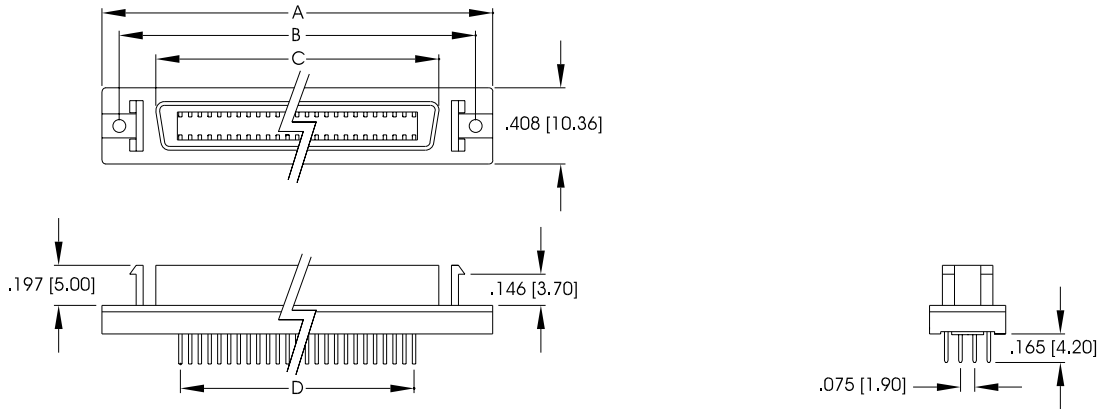
65-68615444 • Fax: 65-68614777

Email: sales@methode.com.sg • Web: www.methode.com/mefe/index.html

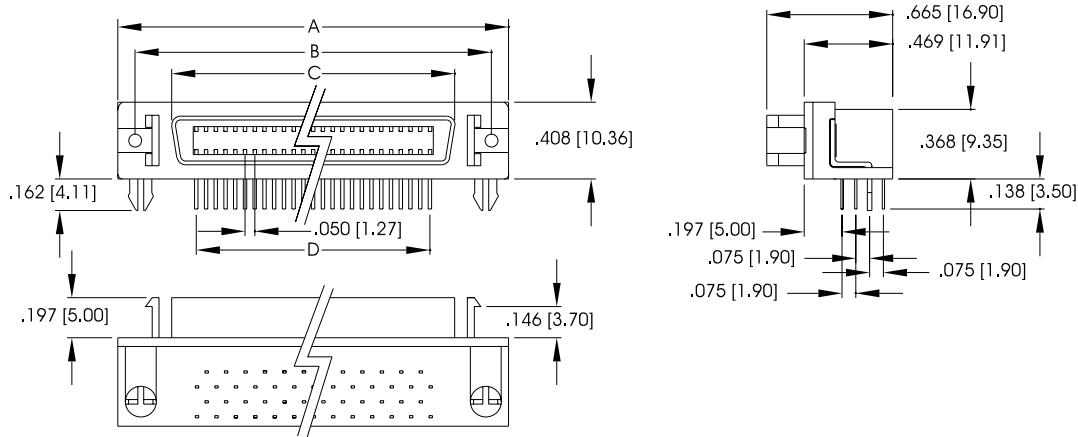
.050" (1.27) Ribbon Connector Right Angle and Vertical PCB Mount - M27 Series



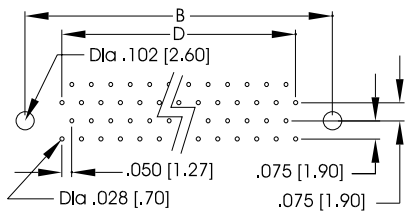
SOCKET - VERTICAL MOUNT



SOCKET - RIGHT ANGLE MOUNT

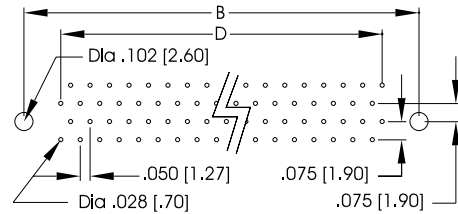


PC Board Layout



26 and 50 Positions

PC Board Layout



20, 28, 40, 68, 80, 100, 120 Positions

Unit: Inch / mm

Dimensional:			
POSITION	A	B	C
14	0.494 (12.55)	0.919 (23.34)	1.161 (29.49)
36	1.056 (26.82)	1.481 (37.62)	1.723 (43.76)
50	1.406 (35.70)	1.831 (46.50)	2.073 (52.65)
68	1.856 (47.14)	2.281 (57.94)	2.523 (64.08)