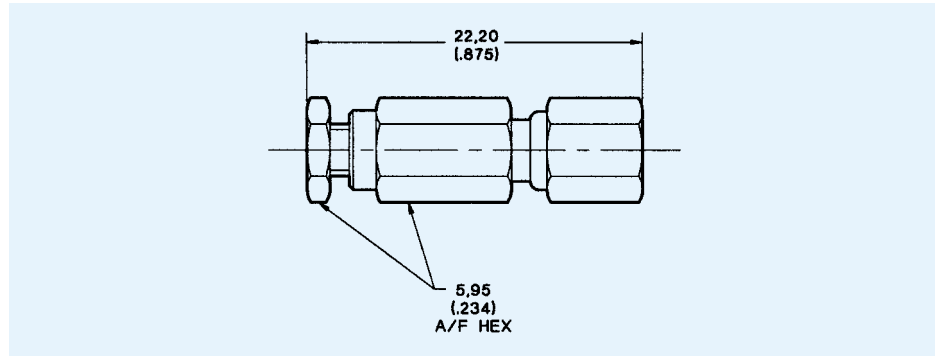


## Straight Plugs and Jacks

SMC CONNECTORS HAVE SOLDER CENTER CONTACTS

### Straight Clamp Plug

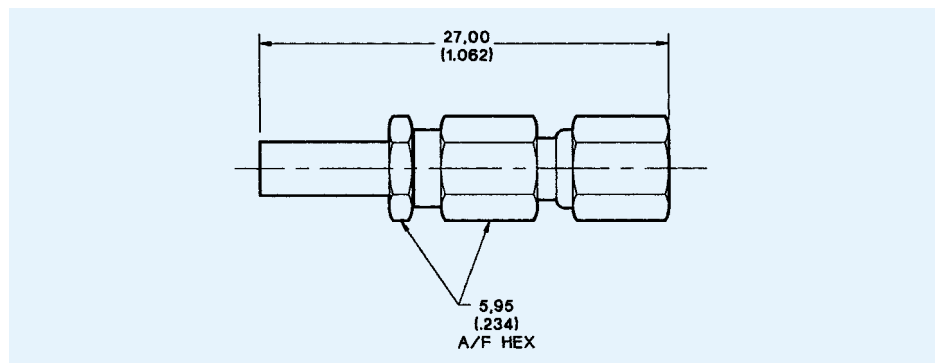
Part Number	Cable Numbers
050-007-0000220	RG174/U, 316/U
050-007-3196220	RG178/U, 196/U



Assembly Instruction BAI-001 (Page 130)

### Straight Crimp Plug

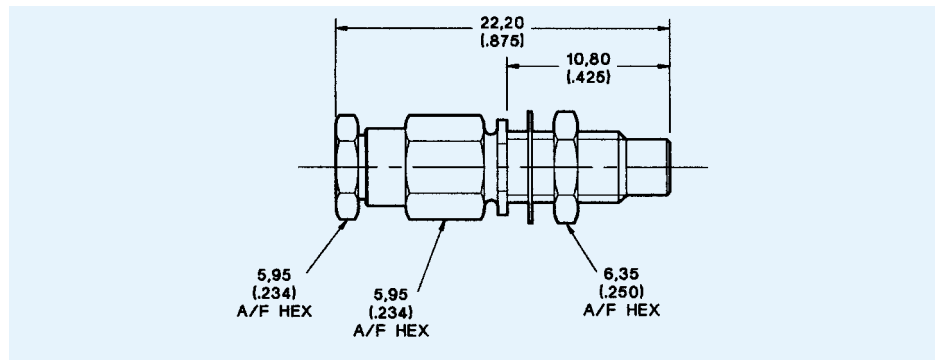
Part Number	Cable Numbers
050-024-0000220	RG174/U, 316/U
050-024-3196220	RG178/U, 196/U
050-024-9399220	RD316, 179



Assembly Instruction BAI-003 (Page 122)

### Straight Clamp Bulkhead Jack

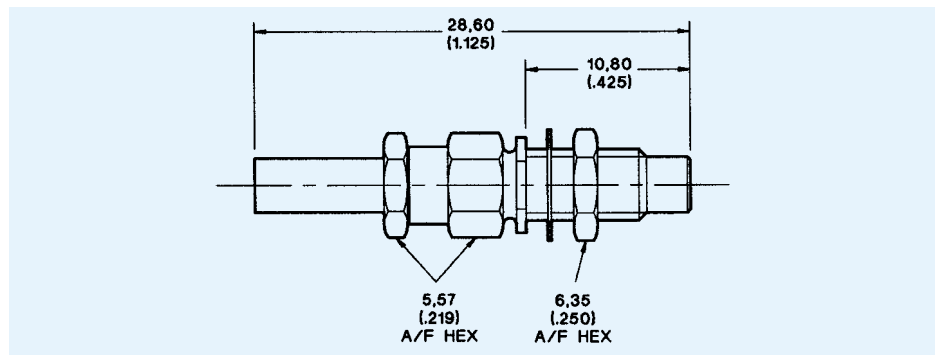
Part Number	Cable Numbers
050-010-0000220	RG174/U, 316/U



Mounting Plan V (Page 109). Assembly Instruction BAI-001 (Page 130)

### Straight Crimp Bulkhead Jack

Part Number	Cable Numbers
050-027-0000220	RG174/U, 316/U
050-027-9399220	RD316, 179



Mounting Plan V (Page 109). Assembly Instruction BAI-003 (Page 122)