

## Standard Recovery Diodes (Stud Version)

**Features**

- Diffused Series
- Industrial grade
- Available in Normal and Reverse polarity
- Metric and UNF thread type

| Electrical Specifications ( $T_E = 25^{\circ}\text{C}$ , unless otherwise noted) |  |        |                        |
|--|--|--------|------------------------|
| Symbol   | Parameters   | Values | Units                  |
| $I_{F(AV)}$  | Maximum avg. forward current @ $T_E = 150^{\circ}\text{C}$ | 12     | A                      |
| $V_{FM}$   | Maximum peak forward voltage drop @ rated $I_{F(AV)}$      | 1.2    | V                      |
| $I_{FSM}$  | Maximum peak one cycle (non-rep) surge current @ 10 msec   | 250    | A                      |
| $I_{FRM}$  | Maximum peak repetitive surge current                      | 60     | A                      |
| $I^2t$   | Maximum $I^2t$ rating (non-rep) for 5 to 10 msec           | 250    | $\text{A}^2\text{sec}$ |

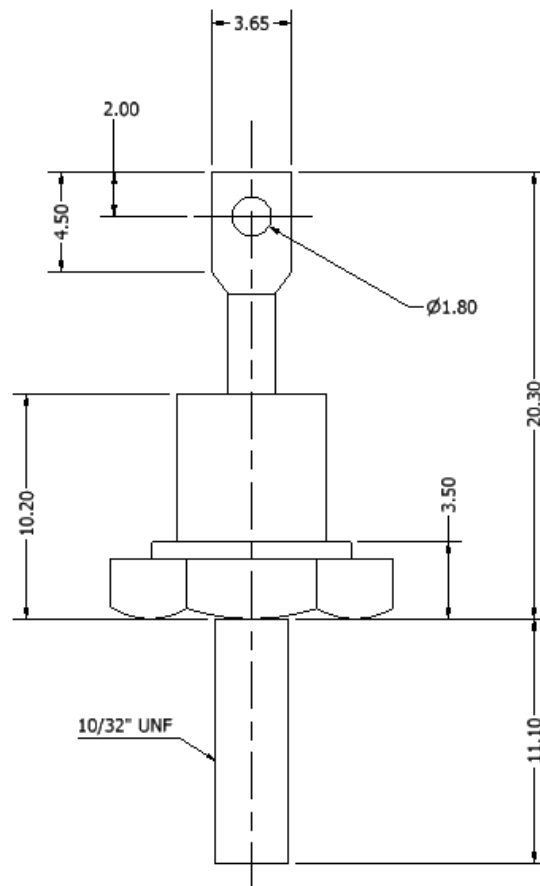
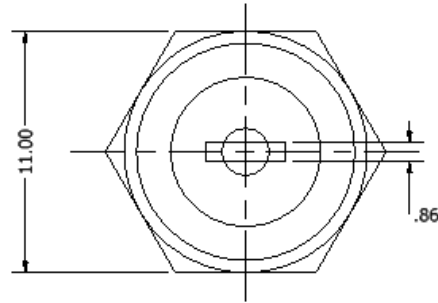


DO-203AA (DO-4)

| Electrical Ratings ( $T_E = 25^{\circ}\text{C}$ , unless otherwise noted) |              |   |  |   |                                     |  |
|---|--------------|---|--|---|-------------------------------------|--|
| Type number   | Voltage Code | $V_{RRM}$ , Maximum repetitive peak reverse voltage (V) | $V_{R(RMS)}$ , Maximum RMS reverse voltage (V) | $V_R$ , Maximum DC blocking voltage (V) | Recommended RMS working voltage (V) | $I_{R(AV)}$ , Maximum avg. reverse leakage current ( $\mu\text{A}$ ) |
| 12NS(R)   | 10           | 100   | 70   | 100                                     | 40                                  | 100  |
|   | 20           | 200   | 140  | 200                                     | 80                                  |  |
|   | 40           | 400   | 280  | 400                                     | 160                                 |  |
|   | 60           | 600   | 420  | 600                                     | 240                                 |  |
|   | 80           | 800   | 560  | 800                                     | 320                                 |  |
|   | 100          | 1000  | 700  | 1000                                    | 400                                 |  |
|   | 120          | 1200  | 840  | 1200                                    | 480                                 |  |
|   | 140          | 1400  | 980  | 1400                                    | 560                                 |  |
|   | 160          | 1600  | 1120   | 1600                                    | 640                                 |  |



| Thermal & Mechanical Specifications ( $T_E = 25^\circ\text{C}$ , unless otherwise noted) |  |                         |                           |
|--|--|-------------------------|---------------------------|
| Symbol   | Parameters                                   | Values                  | Units                     |
| $R_{th(jc)}$   | Maximum thermal resistance, junction to case | 2                       | $^\circ\text{C}/\text{W}$ |
| $T_J$  | Operating junction temperature range         | -65 to 150              | $^\circ\text{C}$          |
| $T_{stg}$  | Storage temperature                          | -65 to 150              | $^\circ\text{C}$          |
|  | Mounting torque (non-lubricated threads)     | 0.14 (min) - 0.17 (max) |                           |
| W  | Approximate allowable weight                 | 7                       | g                         |



ALL DIMENSIONS IN MM