

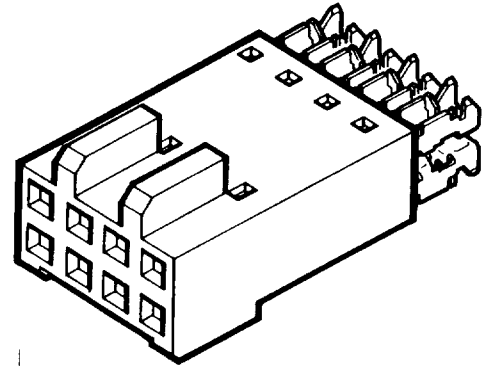
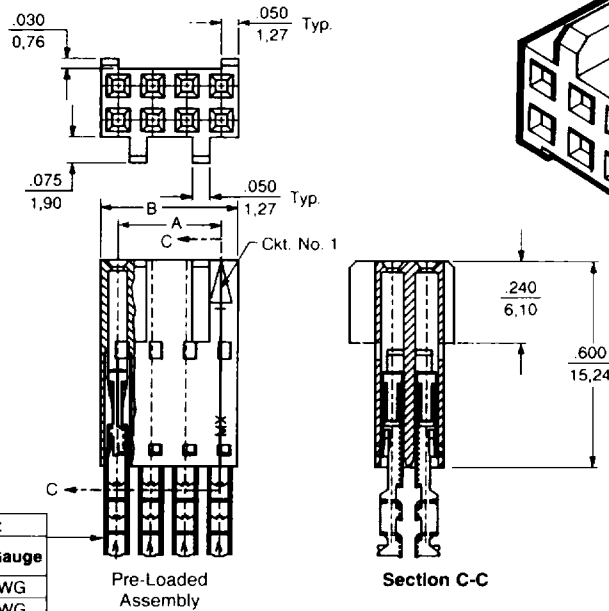
Dual Row Female Insulation Displacement Connector



A

70451 Series "F" Version

- Polarized
- End-to-end stackable
- Mates with Molex dual row headers 8723, 8724
- Circuit sizes 4-54



Universal Polarizing Pin
Order No. 15-04-0292

Dimensions

Circuits	Dim. A	Dim. B	Circuits	Dim. A	Dim. B	Circuits	Dim. A	Dim. B	Circuits	Dim. A	Dim. B	Circuits	Dim. A	Dim. B
4	.100 2,54	.199 5,05	16	.700 17,78	.799 20,29	26	1,200 30,48	1,299 32,99	36	1,700 43,18	1,799 45,69	46	2,200 55,88	2,299 58,39
6	.200 5,08	.299 7,59	18	.800 20,32	.899 22,83	28	1,300 33,02	1,399 35,53	38	1,800 45,72	1,899 48,23	48	2,300 58,42	2,399 60,93
8	.300 7,62	.399 10,13	20	.900 22,86	.999 25,37	30	1,400 35,56	1,499 38,07	40	1,900 48,26	1,999 50,77	50	2,400 60,96	2,499 63,47
10	.400 10,16	.499 12,67	22	1,000 25,40	1,099 27,91	32	1,500 38,10	1,599 40,61	42	2,000 50,80	2,099 53,31	52	2,500 63,50	2,599 66,01
12	.500 12,70	.599 15,21	24	1,100 27,94	1,199 30,45	34	1,600 40,64	1,699 43,15	44	2,100 53,34	2,199 55,85	54	2,600 66,04	2,699 68,55
14	.600 15,24	.699 17,75												

Ordering Information

PLATING: 15 MICROINCHES GOLD	PLATING: 30 MICROINCHES GOLD	PLATING: 150 MICROINCHES TIN/LEAD
Wire Accommodation 28 AWG		
Order No. 14-57-4XX0 Replace "XX" with number of circuits, 08-54 (even numbers only)	Order No. 14-57-5XX5 Replace "XX" with number of circuits, 08-54 (even numbers only)	Order No. 14-57-2XX5 Replace "XX" with number of circuits, 08-54 (even numbers only)
Wire Accommodation 26 AWG		
Order No. 14-57-3XX7 Replace "XX" with number of circuits, 08-54 (even numbers only)	Order No. 14-57-5XX2 Replace "XX" with number of circuits, 08-54 (even numbers only)	Order No. 14-57-2XX2 Replace "XX" with number of circuits, 08-54 (even numbers only)
Wire Accommodation 24 AWG		
Order No. 14-57-3XX4 Replace "XX" with number of circuits, 08-54 (even numbers only)	Order No. 14-57-4XX9 Replace "XX" with number of circuits, 08-54 (even numbers only)	Order No. 14-57-1XX8 Replace "XX" with number of circuits, 08-54 (even numbers only)
Wire Accommodation 22 AWG		
Order No. 14-57-3XX1 Replace "XX" with number of circuits, 08-54 (even numbers only)	Order No. 14-57-4XX6 Replace "XX" with number of circuits, 08-54 (even numbers only)	Order No. 14-57-1XX5 Replace "XX" with number of circuits, 08-54 (even numbers only)