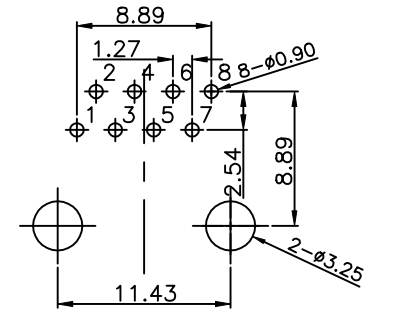
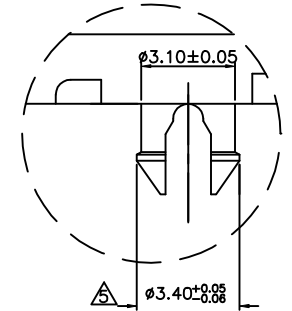
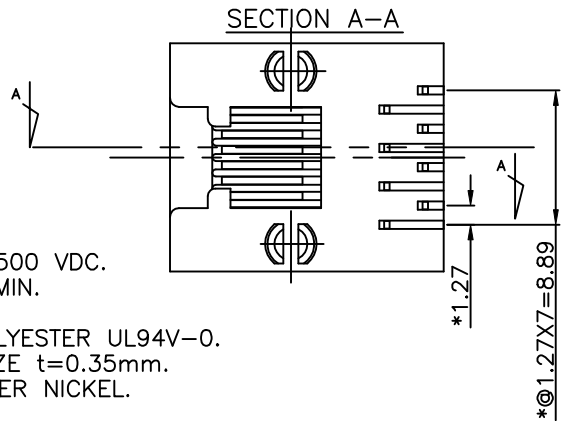
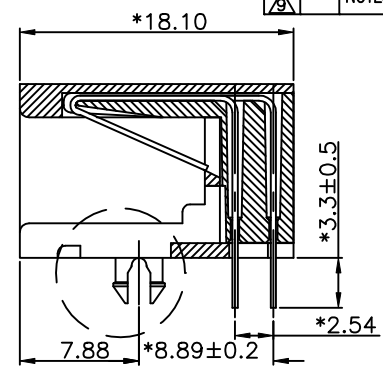
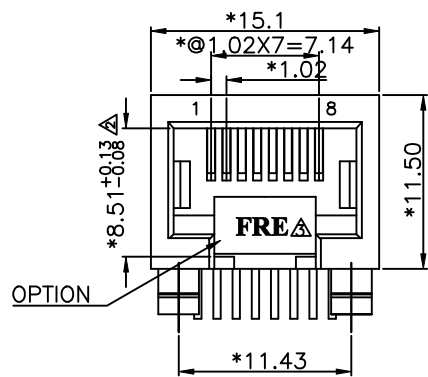


A1RFRD10



PCB T=1.60mm  
PC BOARD LAYOUT COMPONENT SIDE SHOWN

NOTES MODIFY

REVISION RECORD				
REV	ECO	DESCRIPTION	DRFT	CHKD
△		Modify Part Number	Bolon 6/22/00'	
△		Modify Dimension	CZH 1/1/01'	H
△		Modify Drawing	LGJ 8/7/02'	
△		Modify Drawing	Chen 10/23/02'	
△		Add Drawing View	Ted 03/25/03'	
△		Add PART'S NUMBER	THOMAS 04/08/04'	G
△		Add PART'S NUMBER	SAMMY 06/22/04'	
△		Add PART'S NUMBER	SAMMY 06/22/04'	

NOTES:

ELECTRICAL:

- VOLTAGE RATING : 125 VAC RMS.
- CURRENT RATING : 1.5 AMP.
- CONTACT RESISTANCE : 35 MILLIOHMS MAX.
- INSULATION RESISTANCE: 1000 MEGOHMS MIN @ 500 VDC.
- DIELECTRIC STRENGTH : 1000 VAC RMS 60Hz, 1MIN.

MECHANICAL:

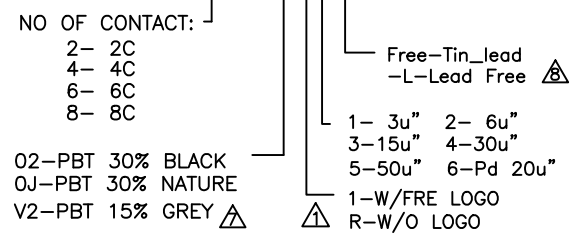
- HOUSING MATERIAL : GLASS FILLED POLYESTER UL94V-0.
- CONTACT MATERIAL : PHOSPHOR BRONZE t=0.35mm.
- PLATING : GOLD PLATING OVER NICKEL.
- OPERATING LIFE : 750 CYCLES MIN.
- PCB RETENTION PRE-SOLDER : 1 LB MIN.
- PCB RETENTION POST-SOLDER: 10 LBS MIN.

ENVIRONMENTAL:

- STORAGE : -40°C TO +85°C.
  - OPERATION: -40°C TO +85°C.
- MATES WITH MODULAR PLUG CONFORMING TO FCC PART 68, SUBPART F.

CUL FILE NO. E163191

PART NUMBER: E538X-E0XXXXXX



MM (INCH)		DFTO KAN	DATE 1/28/99
TOLERANCES EXCEPT AS NOTED		CHKD SAMMY	DATE 2004/11/17
		MFO	DATE
MM		APPVLLUSHENG	DATE 2004/11/17
.0	±	MATERIAL :	
.00	±	QT'Y :	
.000	±	FINISH :	
ANGLES ±		SCALE : 3:1	
THIRD ANGLE PROJECTION		DO NOT SCALE DRAWING	

FULL RISE ELECTRONIC CO., LTD			
TITLE 11.5 SIDE ENTRY 8P FCC DEEP TYPE			
DRAWING NO. GE533A01		SIZE A3	REV 9
/PART NO. SEE NOTE		SHEET X OF Y	