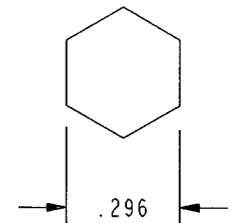
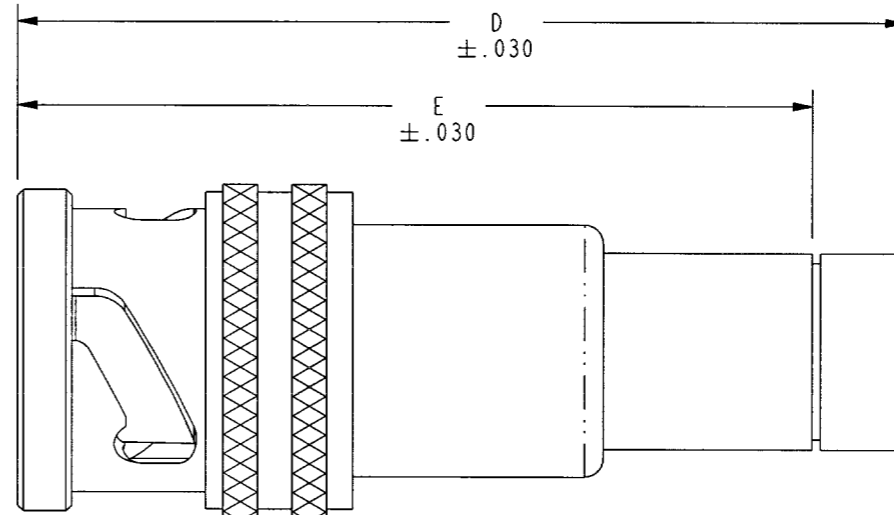
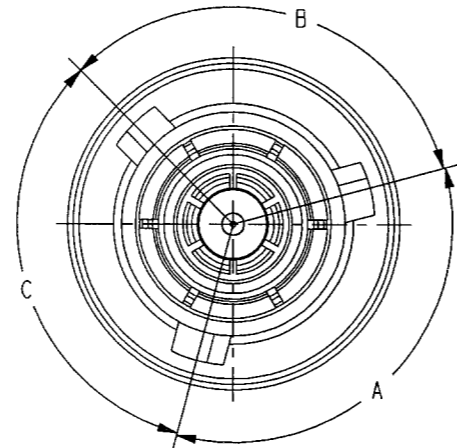


TABLE 1				
DASH NO. ⁷	CABLES ACCOMODATED	ASSEMBLE PER	DIM "D"	DIM "E"
-201	MI7/176-00002	TAI-201	1.540	1.375
-202	TWC-78-1			
-203	TWC-124-1A			
-204	10602, RAYCHEM			
-205	TWAC-78-1F2			
-206	7826D0130, RAYCHEM			
-207	83310, BELDEN			
-208	202-3927, MICRODOT			
-209	202-3942, MICRODOT			
-210	8451, BELDEN			
-211	202-3934, MICRODOT			
-212	2524E0114, RAYCHEM			
-213	TWC-78-2			
-214	TWC-124-2			
-215	BL982, TIMES			
-216	BL1242, TIMES			
-217	M27500-22 RC2S06			
-218	EDP221888, RAYCHEM			
-219	252601114, RAYCHEM			
-220	GC875RRI, GRUMMAN			
-221	10614, RAYCHEM GC875TM24H, GRUMMAN			
-222	10613, RAYCHEM			
-223	HMS2-1149, HUGHES			
-224	TWCP-124-3			
-225	PS665PL, PRIME STOCK			
-226	TWCP-124-5	TAI-209	1.660	1.495

TABLE 2 ⁵		
MILITARY PART NO (PIN)	MILITARY CABLE PART NO	TROMPETER PART NO (REF ONLY) ⁵
M49142/03-0016	MI7/45-RG108	MPL75MC-213
M49142/03-0116	MI7/45-RG108	MPL75MCY-213
M49142/03-0216	MI7/45-RG108	MPL75MCS-213
M49142/03-0017	MI7/176-00002	MPL75MC-201
M49142/03-0117	MI7/176-00002	MPL75MCY-201
M49142/03-0217	MI7/176-00002	MPL75MCS-201

RED INDICATES ORIGINAL



RECOMMENDED
HEX CRIMP
SCALE 2/1

DATA CONTAINED IN THIS DOCUMENT IS PROPRIETARY OF TROMPETER ELECTRONICS, INC. AND SHALL NOT BE DISCLOSED, COPIED OR USED FOR PROCUREMENT OR MANUFACTURE WITHOUT EXPRESS WRITTEN PERMISSION.

REVISIONS			
REV	DESCRIPTION	DATE	APPROVED
B	REVISED PER ECO 14151	7-10-01	[Signature]

TABLE 3 POLARIZATION CHART			
KEY LETTER	A DEGREES	B DEGREES	C DEGREES
NONE	120°	120°	120°
T	100°	150°	110°
U	120°	130°	110°
V	115°	130°	115°
W	125°	110°	125°
X	130°	100°	130°
Y	110°	140°	110°
Z	100°	160°	100°
S	135°	135°	90°

INCH	MM
.005	0.13
.030	0.76
.296	7.52
.593	15.06
1.375	34.93
1.495	37.97
1.540	39.12
1.660	42.16

⁷ CHECK WITH CABLE MANUFACTURER FOR OUTGASSING PROPERTIES OF THE SELECTED CABLE

6. ALL MATERIALS MEET THE OUTGASSING REQUIREMENTS OF NASA SPECIFICATION SP-R-0022A.

⁵ WHEN CONNECTOR IS SUPPLIED TO MILITARY PART NO (SEE TABLE 2):
 a) ALL PARTS NORMALLY PLATED TFS-1A OR TFS-1U (NICKEL) ARE TO BE PLATED TFS-1M (SILVER)
 b) MARK PART WITH MILITARY PIN (SEE TABLE 2) AND "14949"
 c) QUALITY CONFORMANCE INSPECTION SHALL BE PER MIL-C-49142 SECTION 4.5

4. EXAMPLE OF COMPLETE PART NO:

305-1467-T-201 CABLE GROUP DASH NO (SEE TABLE 1)

BASIC PART NO. POLARIZATION LETTER NONE REQUIRED. FOR STD POLARIZATION (SEE TABLE 3)

3. CONCENTRIC TWINAX 3-LUG TRB, MILITARY FULL CRIMP CABLE PLUG

2. FINISH: TFS-1A (NICKEL) ⁵

1. ALL DIMENSIONS ARE IN INCHES

NOTES: UNLESS OTHERWISE SPECIFIED.

INTERPRET DRAWING PER MIL-STD-100. DIMENSIONS ARE IN INCHES AND INCLUDE FINISH THICKNESS UNLESS OTHERWISE SPECIFIED		TOL: UNLESS SPECIFIED .XX ± .02 .XXX ± .010 ANGLE ± 1°	
DRW	AAH	7-7-01	MATERIAL
CHK	[Signature]		
QUALITY			FINISH
MANUF			
APPROVED	[Signature]		
PROJ. FILE NO.	305-1467		



TITLE: SPACE RATED PL75MC/T/U/V/ W/X/Y/Z			
SIZE	CAGE CODE	DRAWING NO.	REV
B	14949	305-1467	B
SCALE	3/1	DATE	SHEET
		12/28/99	1 OF 2

NEXT ASSY	DO NOT SCALE DWG
-----------	------------------