

NOISE FILTER



Common Mode Choke Coil Standard Type **PLA10** Series

Meets FCC, CISPR, VDE standards

Suppression low frequency, common mode noise of AC power supplies

FEATURES

1. Compact and light weight.
2. PLA series are available with wide range variations of inductance value.
3. Low profile in vertical core layout.
4. PLA10A type is available in magazine packaging.
5. Insertion loss characteristics of sectional winding type is extremely improved at high frequency. (1 to 30MHz)

APPLICATIONS

- Switching power supplies, electric ballast (AC-AC converter), AC adaptor

PART NUMBERING

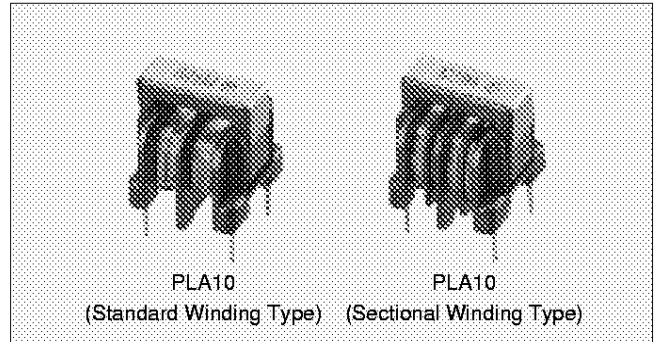
(Please specify the part number when ordering.)



- ① Type
- ② Style A : Vertical type
- ③ Inductance 433→43mH
- ④ Rated Current 0R3→0.3Arms
- ⑤ Winding Mode R : Standard Winding
 D : Sectional Winding
- ⑥ Serial Number
- ⑦ Packaging Code B1 : Bulk Package
 M1 : Magazine Package

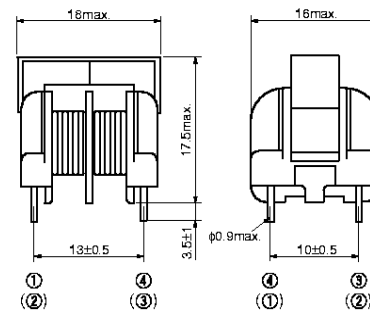
RATINGS

Item	Rated Values
Rated Voltage	300Vac
Withstand Voltage (between coils)	2000Vac, one minute or 2400Vac, one second
Insulation Resistance (between coils : 500Vdc)	100MΩ min.
Operating Temperature Range (Ambient Temperature Range+Winding Temperature Rise)	-25 to +120°C
Winding Temperature Rise	60K max. (with Rated Current)

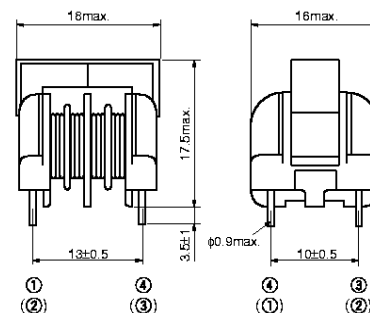


DIMENSIONS

Standard Winding Type

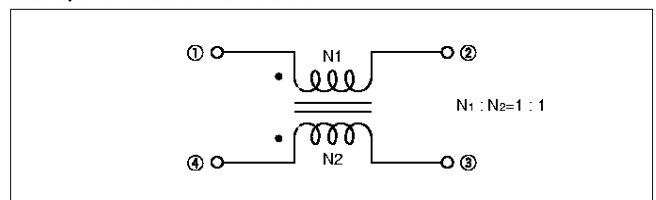


Sectional Winding Type



(in mm)

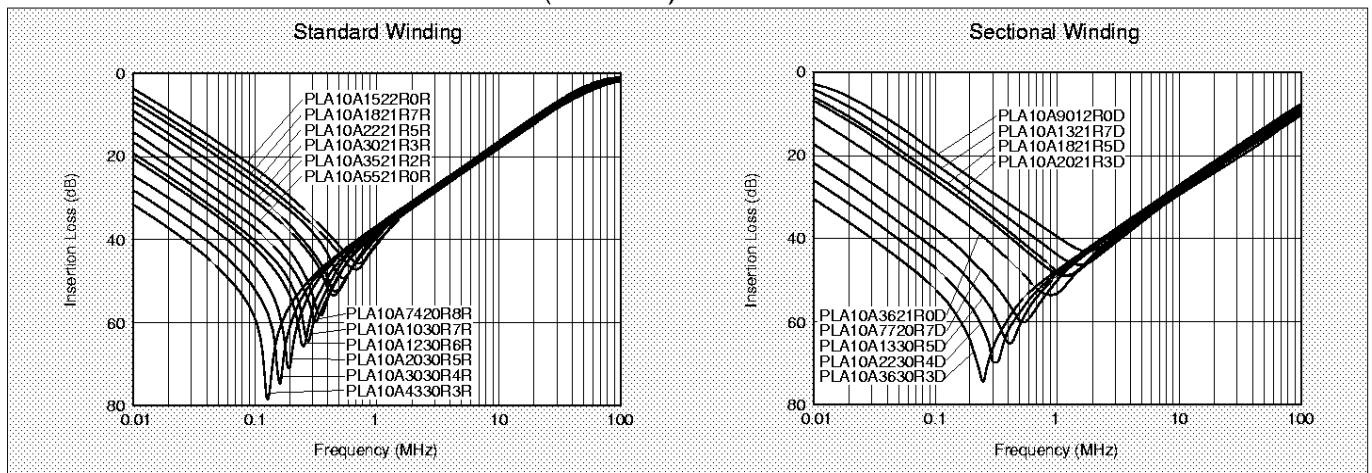
EQUIVALENT CIRCUIT



■ SPECIFICATIONS

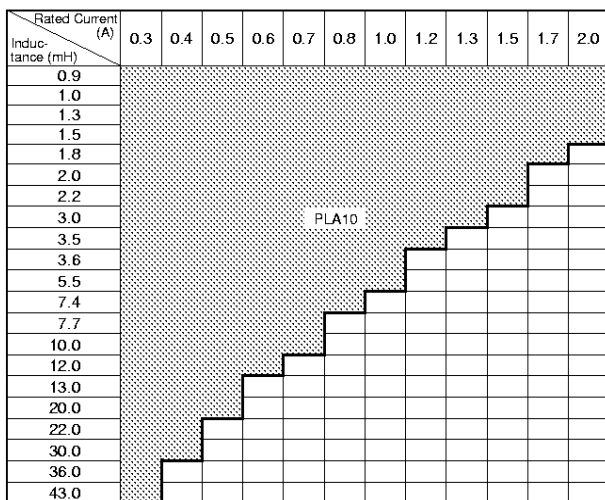
Standard Winding Type				Sectional Winding Type			
Part Number	Inductance (mH) min.	Rated Current (Arms)	DC Resistance (Ω) max.	Part Number	Inductance (mH) min.	Rated Current (Arms)	DC Resistance (Ω) max.
PLA10A4330R3R02	43.0	0.3	4.0	PLA10A3630R3D02	36.0	0.3	4.5
PLA10A3030R4R02	30.0	0.4	2.7	PLA10A2230R4D02	22.0	0.4	2.7
PLA10A2030R5R02	20.0	0.5	1.8	PLA10A1330R5D02	13.0	0.5	1.6
PLA10A1230R6R02	12.0	0.6	1.2	PLA10A7720R7D02	7.7	0.7	0.95
PLA10A1030R7R02	10.0	0.7	0.86	PLA10A3621R0D02	3.6	1.0	0.44
PLA10A7420R8R02	7.4	0.8	0.64	PLA10A2021R3D02	2.0	1.3	0.25
PLA10A5521R0R02	5.5	1.0	0.46	PLA10A1821R5D02	1.8	1.5	0.21
PLA10A3521R2R02	3.5	1.2	0.32	PLA10A1321R7D02	1.3	1.7	0.16
PLA10A3021R3R02	3.0	1.3	0.26	PLA10A9012R0D02	0.9	2.0	0.12
PLA10A2221R5R02	2.2	1.5	0.22				
PLA10A1821R7R02	1.8	1.7	0.18				
PLA10A1522R0R02	1.5	2.0	0.15				

■ INSERTION LOSS CHARACTERISTICS (TYPICAL)



■ SELECTION GUIDE

•Select with rated current and inductance as follows



2