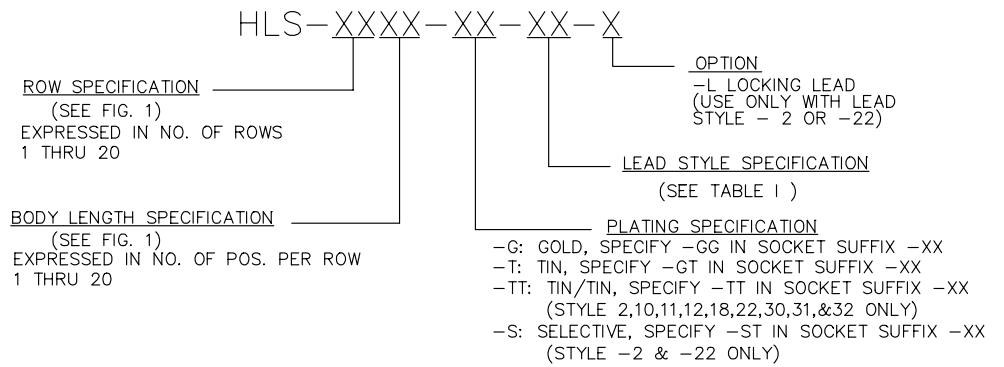


TABLE 1
TERMINAL SPECIFICATION K

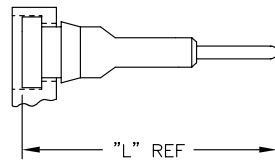
LEAD STYLE	SOCKET	"L" REF
-2	SC-1P1-XX	.300
-3	SC-1S1-XX	.203
-10	SC-3P1-XX	.230
-11	SC-4P1-XX	.240
-12	SC-5P1-XX	.190
-15	SC-1M2-XX	.167
-18	SC-6P1-XX	.353
-19	SC-8P1-XX	.165
-22	EZ-1P1-XX	.300
-23	EZ-1S1-XX	.203
-30	EZ-3P1-XX	.230
-31	EZ-4P1-XX	.240
-32	EZ-5P1-XX	.190
-38	EZ-6P1-XX	.353

DIMENSIONS ARE IN INCHES		UNLESS OTHERWISE NOTED	TOLERANCES ARE:	TITLE:	DWG NO:
ONE PLACE DECIMALS: ±	THREE PLACE DECIMALS: ±		ANGLES ±	HLS ASSEMBLY	HLS-XXXX-XX-XX-X
TWO PLACE DECIMALS: ±	FOUR PLACE DECIMALS: ±				SHEET 1 OF 1



ASSEMBLY INSTRUCTIONS

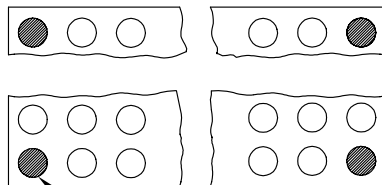
STYLES
-11,12,15,19,31 & 32



SOCKETS TO BE RECESSED (COUNTER-SUNK) INTO BODY TO ALLOW BARB PROTRUSION AT BOTTOM

-L OPTION

AVAILABLE IN STYLES -2 & -22 ONLY



REPLACE CORNER POSITIONS WITH SC-1L1-XX (WHEN USING SC LEAD STYLE) OR EZ-1L1-XX (WHEN USING EZ LEAD STYLE)
NOTE: FOR -ST PLATING SPEC. USE SC-1L1-GT OR EZ-1L1-GT

NOTES:

- 1.) FILL ALL POSITIONS.
- 2.) PINS TO ENTER BODY FROM C'BORE SIDE.
- 3.) BARB ON SOCKET MUST BE VISABLE BELOW BODY.
- 4.) HLS-316-X-22-L TO BE PACKAGED IN PT-1-24-01-27 USING 2 TP-03.

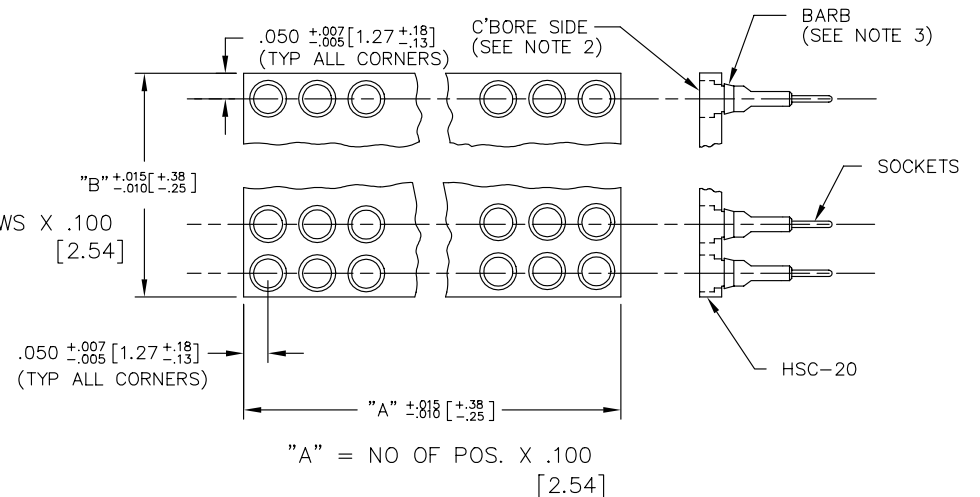


FIGURE 1

PROPRIETARY NOTE
THIS DOCUMENT CONTAINS INFORMATION CONFIDENTIAL AND PROPRIETARY TO SAMTEC INC. AND SHALL NOT BE REPRODUCED OR TRANSFERRED TO OTHER DOCUMENTS OR DISCLOSED TO OTHERS OR USED FOR ANY PURPOSE OTHER THAN THAT FOR WHICH IT WAS OBTAINED WITHOUT THE EXPRESSED WRITTEN CONSENT OF SAMTEC INC.

samtec		EXISPROD\ASSEMBLY\100 HLS-ASM
520 PARK EAST BLVD. NEW ALBANY, INDIANA 47150 PHONE (812) 944-6733 P.O. BOX 1147 CODE 55322		
MADE BY: JORDAN 5-30-85	ENGINEER APPROVAL BET 6-4-85	HLS-XXXX-XX-XX-X SHEET 1 OF 1
CHECKED BY: THRUSTON 6-4-85		