

### Description

- Time delay, low breaking capacity
- 5mm x 20mm physical size
- Glass tube, nickel-plated brass endcap construction
- Optional axial leads are .032" x 1.5" copper tinned
- Optional sleeve is flexible flouropolymer (U.L. flammability rating VW-1).
- Designed to IEC 60127-2-3



S506 ELECTRICAL CHARACTERISTICS								
In	2.1 In		2.75 In		4 In		10 In	
	max	min	max	min	max	min	max	
32mA-100mA	2 min	200 ms	10 sec	40 ms	3 sec	10 ms	300 ms	
125mA-6.3A	2 min	600 ms	10 sec	150 ms	3 sec	20 ms	300 ms	
8A-12.5A	2 min	600 ms	10 sec	150 ms	3 sec	20 ms	300 ms	

### Ordering

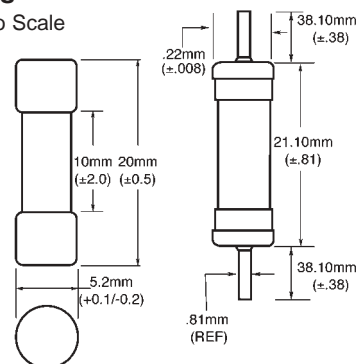
- Specify product code, option code and packaging code

### Approvals

- UL Recognized Card: 500mA-6.3A (JDYX2, E75865)
- Semko Approval, 500mA-6.3A
- VDE Approval, 500mA-5A
- BSI Approval, 500mA-6.3A
- IMQ Approval, 800mA-6.3A
- MITI Approval, 1A-6.3A

### Dimensions

Drawing Not to Scale



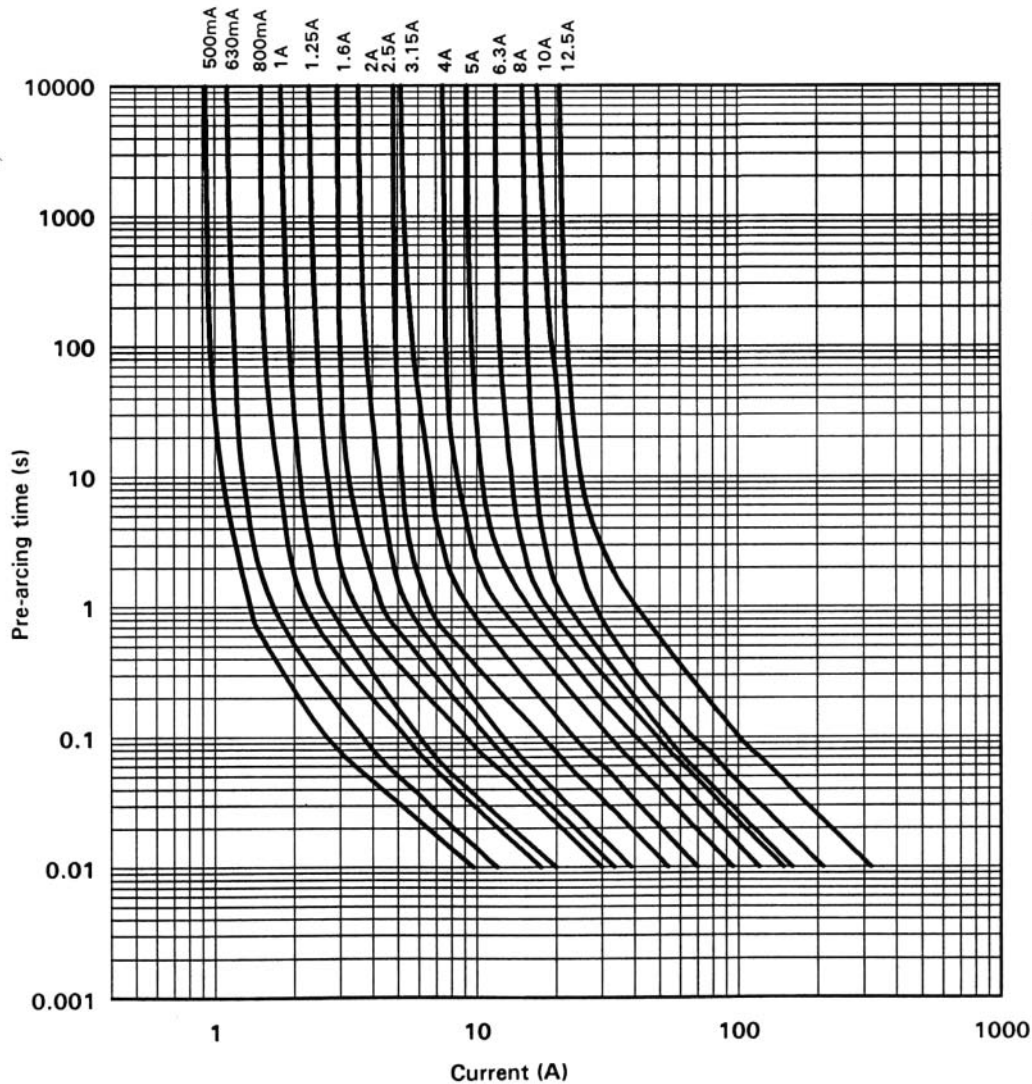
SPECIFICATIONS					
Product Code	Voltage Rating AC	Interrupting Rating at Rated Voltage (50Hz) AC/DC	Typical DC Cold Resistance (ohms)*	Minimum Pre-Arching I <sup>2</sup> t (A <sup>2</sup> Sec) AC†	Maximum Voltage Drop (mV)‡
S506-500mA	250V	35A	0.268	0.67	190
S506-630mA	250V	35A	0.191	1.0	170
S506-800mA	250V	35A	0.131	2.2	150
S506-1A	250V	35A	0.064	2.7	90
S506-1.25A	250V	35A	0.046	6.7	85
S506-1.6A	250V	35A	0.039	9.7	85
S506-2A	250V	35A	0.029	15	85
S506-2.5A	250V	35A	0.024	25	85
S506-3.15A	250V	35A	0.018	51	80
S506-4A	250V	35A	0.013	88	80
S506-5A	250V	35A	0.010	150	75
S506-6.3A	250V	35A	0.009	214	75
S506-8A	250V	35A	0.007	192	80
S506-10A	250V	35A	0.005	420	75
S506-12.5A	250V	35A	0.004	812	75

\* DC Cold Resistance (Measured at <10% of rated current)

† Minimum Pre-Arching I<sup>2</sup>t (Measured at 10 In and rated voltage)

‡ Maximum Voltage Drop (Voltage drop was measured at 20°C ambient temperature at rated current)

### TIME CURRENT CURVE



### OPTION CODE

Option Code	Description
S	Sealed with a flouropolmer sleeve to withstand aqueous cleaning
V	Axial leads - copper tinned wire with nickel plated brass overcaps

### PACKAGING CODE

Packaging Code	Description
BK	100 pieces of fuses packed into a cardboard carton with flaps folded
BK1	1,000 pieces of fuses packed into a poly bag
TR2	1,500 pieces of fuses packed into tape on a reel