

5.00mm (0.196") PITCH CONNECTOR

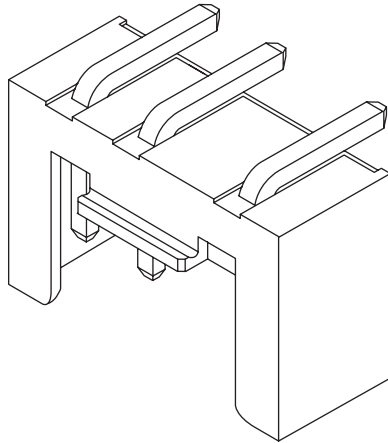


Wire-to-Board
Wafer

YWLA500 Series

DIP

Right Angle

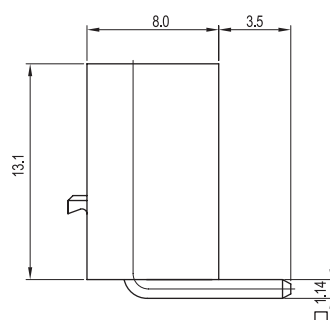
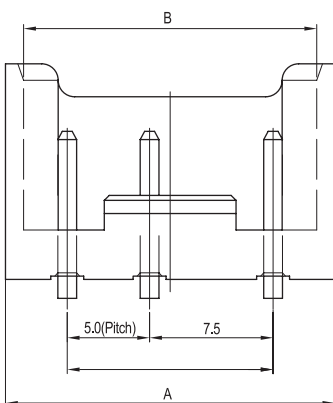
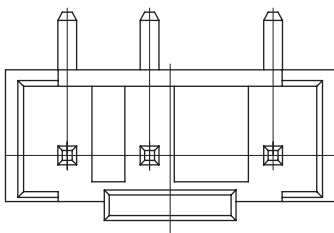


Material

I/NO	DESCRIPTION	TITLE	MATERIAL
1	HOUSING	YWLA500	PA66, UL94 V Grade
2	PIN		Brass & Tin Plated

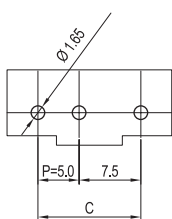
Available Pin

PARTS NO.	DIM. A	DIM. B	DIM. C
YWLA500-02P	14.9	12.8	7.5
YWLA500-03P	19.9	17.8	12.5
YWLA500-04P	24.9	22.8	17.5
YWLA500-05P	29.9	27.8	22.5
YWLA500-06P	34.9	32.8	27.5

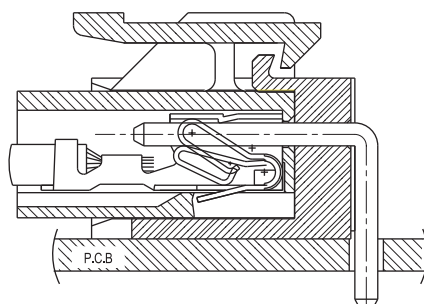


Specification

ITEM	SPEC
Voltage Rating	AC/DC 250V
Current Rating	AC/DC 5A
Operating Temperature	-25°C ~ +85°C
Contact Resistance	30mΩ MAX
Withstanding Voltage	AC1500V/1min
Insulation Resistance	1000MΩ MIN
Applicable Wire	-
Applicable P.C.B	1.2~1.6mm
Applicable FPC/FFC	-
Solder Height	-
Crimp Tensile Strength	-
UL FILE NO	E108706



PCB LAYOUT



PCB ASS'Y