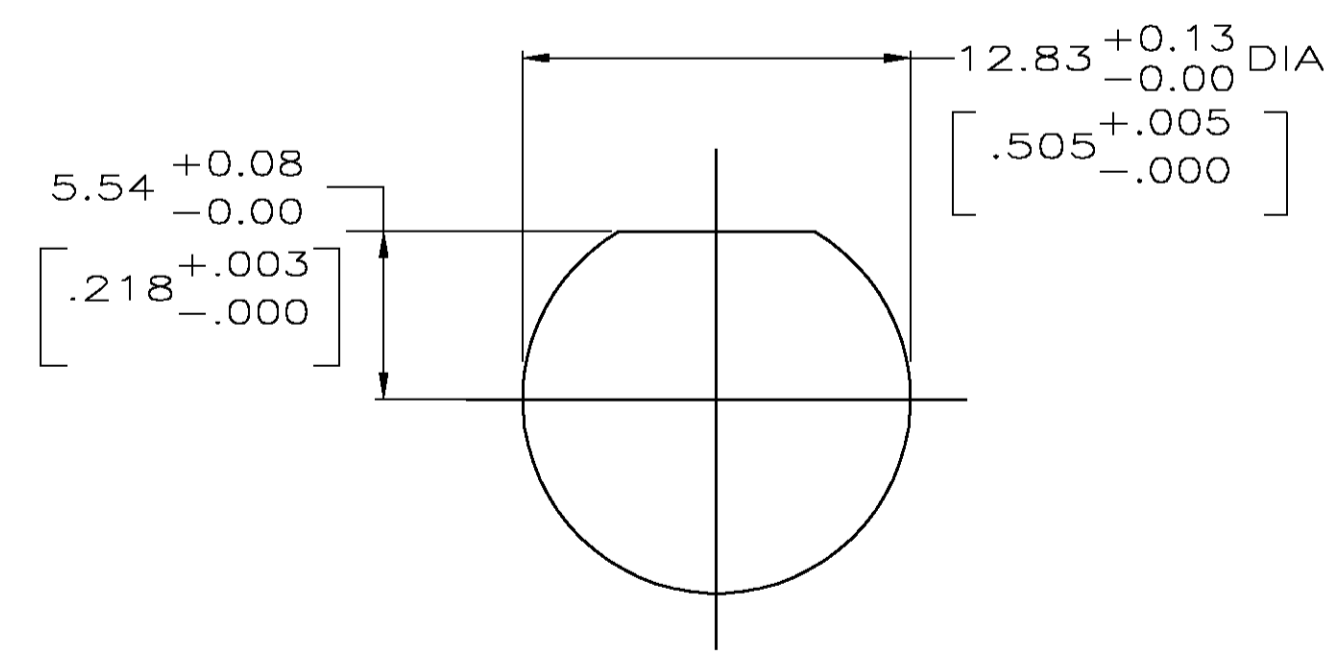
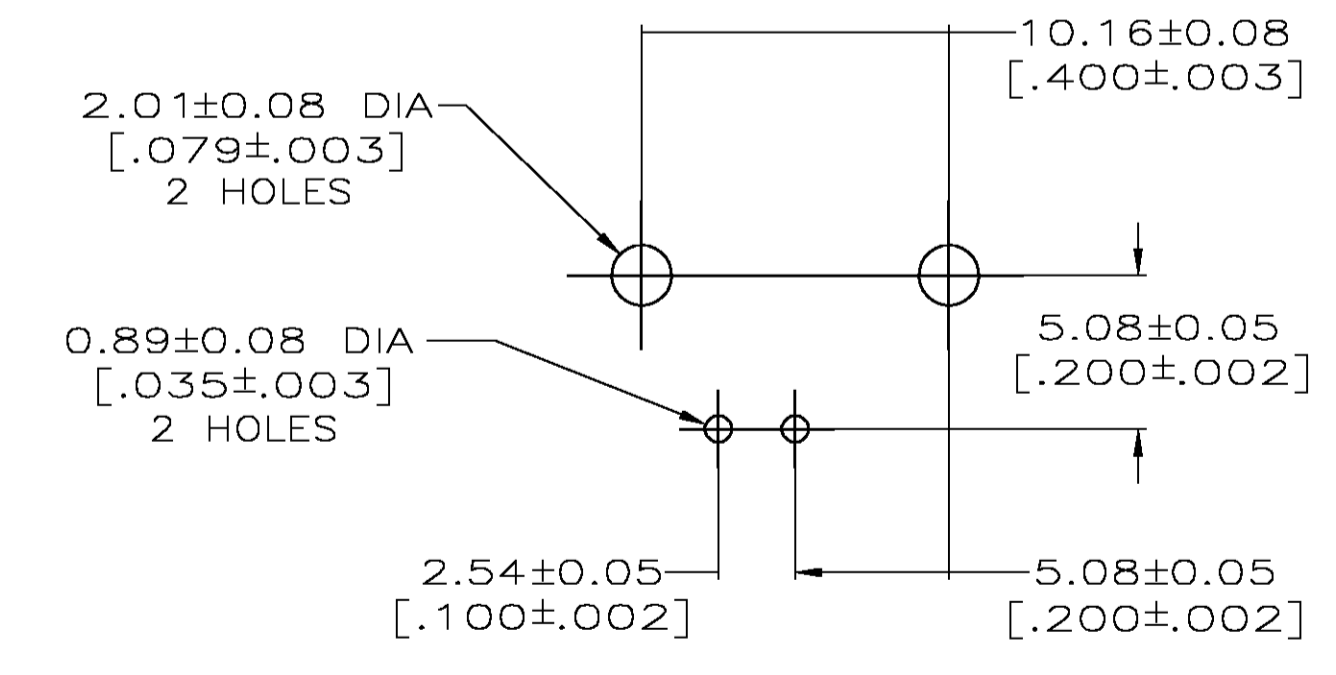


- 1 ZINC PER QQ-Z-363.
- 2 POLYMETHYLPENTENE PER ASTM-D-1238.
- 3 PHOSPHOR BRONZE PER QQ-B-750.
- 4 BRASS PER ASTM-B-453.
- 5 BRASS PER ASTM-B-16.
- 6 NICKEL PLATE PER QQ-N-290, 3.81 μm [.000150] MINIMUM THICK.
- 7 TIN PLATE PER ASTM-B-545, 3.81 μm [.000150] MINIMUM THICK.
- 8 GOLD PLATE PER MIL-G-45204, 1.27 μm [.000050] MINIMUM THICK.
- 9 GOLD PLATE PER MIL-G-45204, 0.76 μm [.000030] MINIMUM THICK.
- 10. SEE INSTRUCTION SHEET 2769.



RECOMMENDED PANEL CUTOUT



PCB CONFIGURATION

	413879-2
	413879-1
CONTACT FINISH	PART NUMBER

THIS DRAWING IS A CONTROLLED DOCUMENT.		DIN J. LIPPERT 6-23-92	Tyco Electronics Corporation Middletown, PA 17057
DIMENSIONS: INCHES		CIK A. GABANY 6-25-92	
TOLERANCES UNLESS OTHERWISE SPECIFIED:		APVD A. GABANY 6-25-92	NAME
0 PLC ± -	1 PLC ± -	PRODUCT SPEC	JACK, RIGHT ANGLE, PCB
2 PLC ± 0.20 [.008]	3 PLC ± -	APPLICATION SPEC	50 OHM, SERIES BNC
4 PLC ± -	ANGLES ± -	SIZE	RESTRICTED TO
MATERIAL SEE NOTES 1-5	FINISH SEE NOTES 6-9	WEIGHT	SCALE 4:1 SHEET 1 OF 1 REV B
CUSTOMER DRAWING		SIZE CASE CODE DRAWING NO	RESTRICTED TO
		A1 00779 C=413879	