

Fig. 1

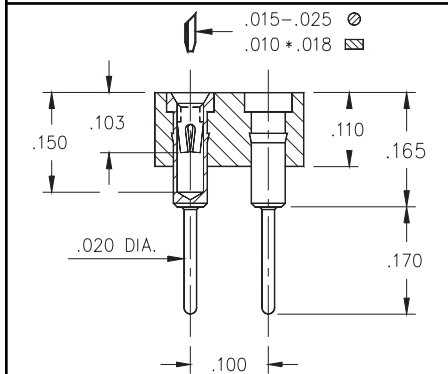


Fig. 2

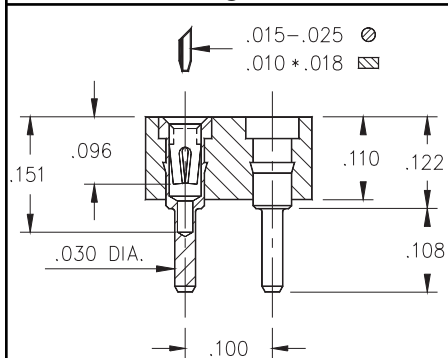


Fig. 3

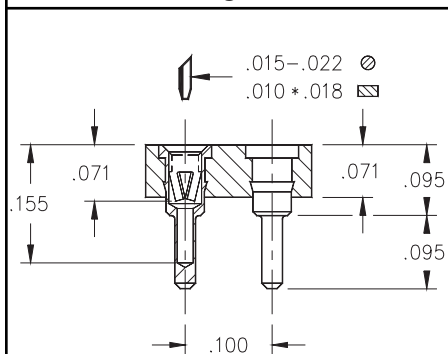
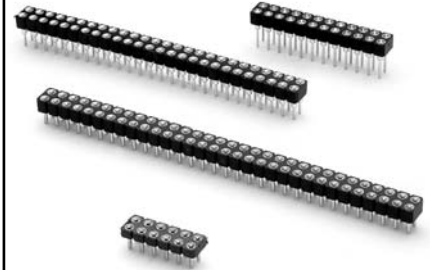


Fig. 4

- Series 41X double row strip sockets are on .100" grid.
- Various solder pins available (standard, long for multi-layer boards, very low and ultra low). Using Mill-Max pin #'s 1001, 0134, 0501 & 0703.
- Hi-Rel, 4-finger BeCu #30 & #12 clips are rated at 3 amps. See pages 207 & 208 for details.



Ordering Information

Fig. 1	Series 410...001	Standard Solder Tail
	410-XX-2__-41-001	Specify # of pins → 02-64
Fig. 2	Series 411...001	Long Solder Tail
	411-XX-2__-41-001	Specify # of pins → 02-64
Fig. 3	Series 415...001	Very Low Profile
	415-XX-2__-41-001	Specify # of pins → 02-64
Fig. 4	Series 415...003	Ultra Low Profile
	415-XX-2__-41-003000	Specify # of pins → 02-72 (Standard Insulator is High Temperature)

XX= Plating Code See Below

For High Temperature Insulators Add '100' To End Of Part Numbers

SPECIFY PLATING CODE XX=	13	93	
Sleeve (Pin)	10μ" Au	200μ" Sn/Pb	
Contact (Clip)	30μ" Au	30μ" Au	