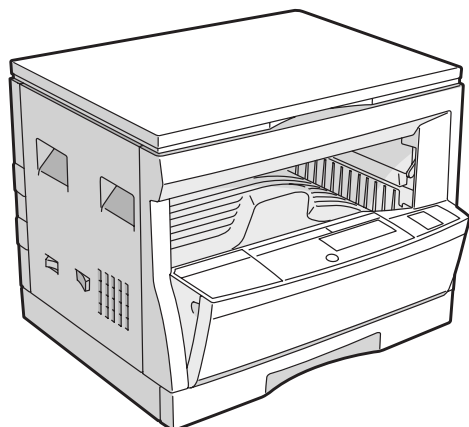


SHARP PARTS GUIDE

CODE:00ZAR160//P1/



DIGITAL COPIER

AR-S160 (Japan only)

AR-160 (Except Japan)

MODEL AR-161 (Except Japan)

CONTENTS

- | | | | |
|----|---------------------------------|----|---------------------------------|
| 1 | Exteriors | 19 | COPY-Operation PWB |
| 2 | Operation panel section | 20 | Duplex/P-out sensor PWB |
| 3 | Side door unit | 21 | MHPS PWB |
| 4 | Optical unit | 22 | Tray sensor PWB |
| 5 | 2nd,3rd mirror unit | 23 | Manual paper feeding sensor PWB |
| 6 | Middle frame unit | 24 | PS sensor PWB |
| 7 | Process unit | 25 | RCU PWB |
| 8 | DV cartridge unit | 26 | Low voltage power supply unit |
| 9 | Fusing unit | 27 | ERDH-Operation PWB |
| 10 | Main drive unit | 28 | Delivery interface PWB |
| 11 | Base plate unit 1 | 29 | Dry heater PWB ..Japan only |
| 12 | Base plate unit 2 | 30 | Shifter HP sensor PWB ..AR-161 |
| 13 | Manual paper feeding multi unit | | |
| 14 | Delivery frame unit | | |
| 15 | TC case unit | | |
| 16 | 250 sheets tray unit | | |
| 17 | Packing material & Accessories | | |
| 18 | MCU PWB | | Index |

SHARP CORPORATION

This document has been published to be used for after sales service only. The contents are subject to change without notice.

DEFINITION

The definition of each Rank is as follows and also noted in the list

- A : Parts necessary to be stocked as High usage parts.
- B : Parts necessary to be stocked as Standard usage parts.
- C : Low usage parts.
- D : Parts necessary for refurbish.
- E : Unit parts recommended to be stocked for efficient after sales service.
Please note that the lead time for the said parts may be longer than normal parts.
- S : Consumable parts.

Please note that the following parts used in Copier under the same description are classified into A or B Rank depending upon the place used.

Example: Gear made of Metal, Sprocket, Bearing, Belt made of Rubber, Spring clutch mechanism.

A Rank : The parts which may be with the revolution or loading.

B Rank : Parts similar to A Rank parts, but are not included in Rank A.



Because parts marked with “△” is indispensable for the machine safety maintenance and operation, it must be replaced with the parts specific to the product specification.

- Other than this Parts Guide, please refer to documents Service Manual (including Circuit Diagram) of this model.
- Please use the 13 digit code described in the right hand corner of front cover of the document, when you place an order.
- For U.S. only-Use order codes provided in advertising literature. Do not order from parts department.

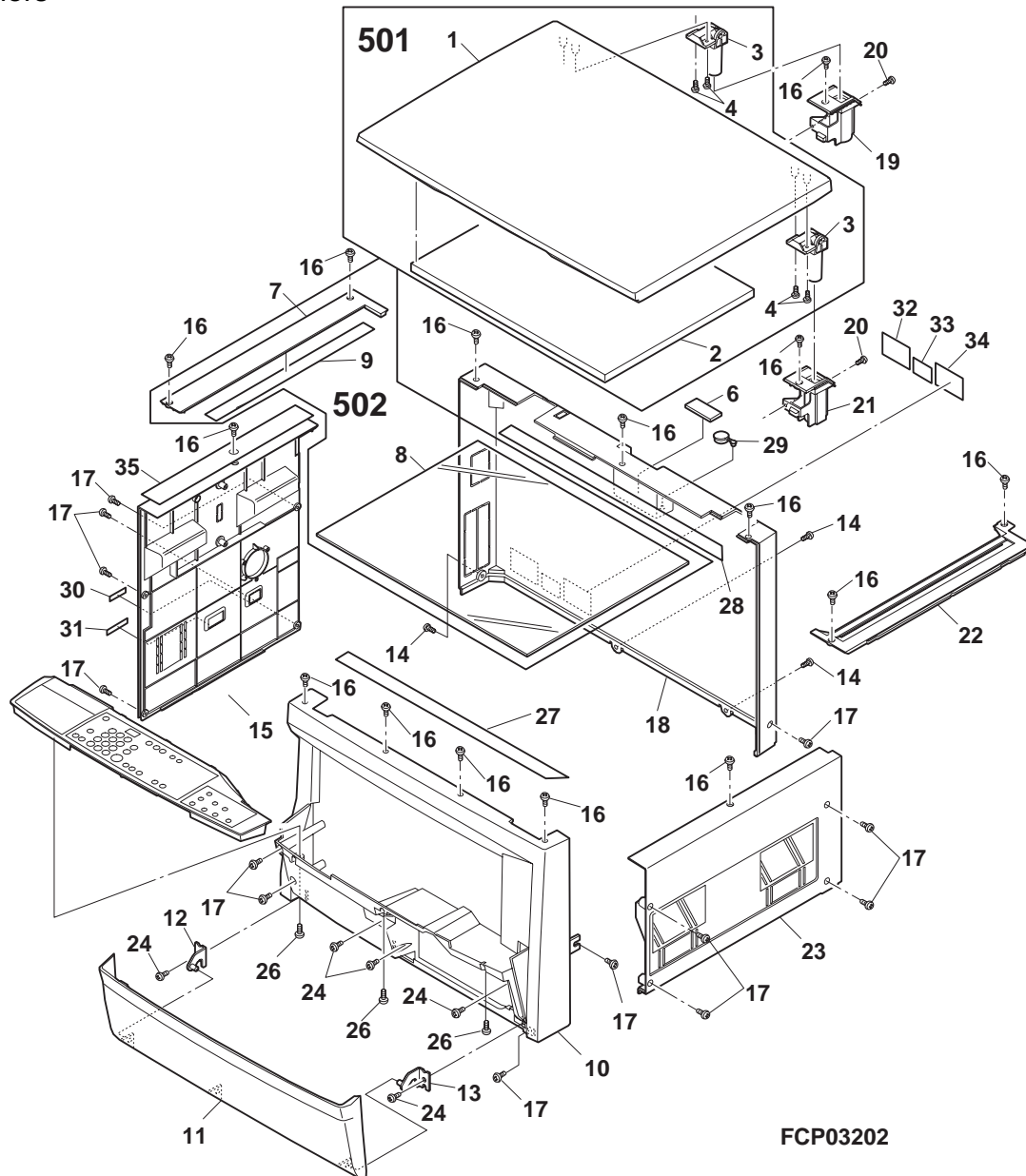
1 Exteriors

NO.	PARTS CODE	PRICE RANK		NEW MARK	PART RANK	DESCRIPTION
		Ex.	Ja.			
1	GC0VH0010QSZZ	BE	GN	N	D	OC cover
2	PSHEZ0058QSZZ	AY	FQ	N	C	OC sheet
3	CHNG-0007QS01	AM	EG	N	C	OC hinge
4	XEBSE40P10000	AA	DD		C	Screw (4×10)
6	GFTA-0002QSZZ	AD	DJ	N	D	SPF connector cover
7	CFiX-0008QS01	AR	EQ	N	C	Glass fixing plate (Japan only)
	CFiX-0008QS02	AQ	EQ	N	C	Glass fixing plate (Except Japan,Europe)
	CFiX-0008QS03	AR	EQ	N	C	Glass fixing plate (For Europe)
8	PGLSP0003QSZZ	BA	FX	N	B	Table glass
9	PSHEZ0059QSZZ	AF	DS	N	C	Sheet
10	CCAB-0012QS01	BE	GN	N	D	Front exterior (Japan only) (AR-S160)
	CCAB-0012QS02	BC	GJ	N	D	Front exterior (Except Japan,Europe) (AR-160)
	CCAB-0012QS03	BE	GN	N	D	Front exterior (For Europe) (AR-160)
	CCAB-0012QS05	BC	GJ	N	D	Front exterior (Except Japan,Europe) (AR-161)
	CCAB-0012QS06	BE	GN	N	D	Front exterior (For Europe) (AR-161)
11	GFTA-0001QSZZ	AW	FG	N	D	Front exterior cover (Except Europe)
	GFTA-0001QSZA	AX	FG	N	D	Front exterior cover (For Europe)
12	CARMP0010QS01	AD	DJ	N	C	Hinge arm L
13	CARMP0011QS01	AD	DJ	N	C	Hinge arm R
14	XEBSE40P10000	AA	DD		C	Screw (4×10)
15	GCAB-0014QSZZ	AY	FQ	N	D	Left exterior (Except Europe)
	GCAB-0014QSZA	BA	FX	N	D	Left exterior (For Europe)
16	XBBSE30P06000	AA	DD		C	Screw (3×6)
17	XHBSE30P08000	AA	DD		C	Screw (3×8)
18	GCAB-0013QSZZ	BC	GD	N	D	Rear exterior (Except Europe)
	GCAB-0013QSZA	BE	GN	N	D	Rear exterior (For Europe)
19	PGiDM0054QSZZ	AG	DX	N	C	Hinge guide L
20	XHBSD30P06000	AA	DD		C	Screw (3×6)
21	PGiDM0055QSZZ	AG	DX	N	C	Hinge guide R
22	GC0VH0011QSZZ	AP	EQ	N	D	OC glass fixing cover (Except Europe)

1 Exteriors

NO.	PARTS CODE	PRICE RANK		NEW MARK	PART RANK	DESCRIPTION
		Ex.	Ja.			
22	GCOVH0011QSZA	AQ	EQ	N	D	OC glass fixing cover (For Europe)
23	GCAB-0015QSZZ	AV	FG	N	D	Right exterior (Except Europe)
	GCAB-0015QSZA	AX	FQ	N	D	Right exterior (For Europe)
24	XEBSE40P10000	AA	DD		C	Screw (4×10)
26	XEBSE30P08000	AA	DD		C	Screw (3×8)
27	PSHEZ0088QSZZ	AF	DS	N	C	Table glass sheet F
28	PSHEZ0089QSZZ	AF	DS	N	C	Table glass sheet R
29	PCAPH0011QSZZ	AC	DJ	N	C	SC cap
30	TLABH0103QSZZ	AE	DS	N	C	Warm heater label (Japan only)
31	TLABH0104QSZZ	AE	DS	N	C	Power supply label (Japan only)
32	TCAUA0770FCZZ	AB	DD		C	Service caution label (Except Japan)
33	TLABH0264GCZZ	AC	DJ		C	Service man label (For Europe)
34	TLABZ0058QSZZ	AD	DJ		C	Class 1 label (200V series)
35	TLABH0107QSZZ	AG	DX	N	C	Operation instruction label (Japan only)
	TLABH0108QSZZ	AG	DX	N	C	Operation instruction label (Except Japan)
501	CCOVH0010QS51	BM	HV	N	E	OC cover unit
502	CFiX-0008QS51	BF	GN	N	E	Table unit (Japan only)
	CFiX-0008QS52	BF	GN	N	E	Table unit (Except Japan, Europe)
	CFiX-0008QS53	BC	GJ	N	E	Table unit (For Europe)

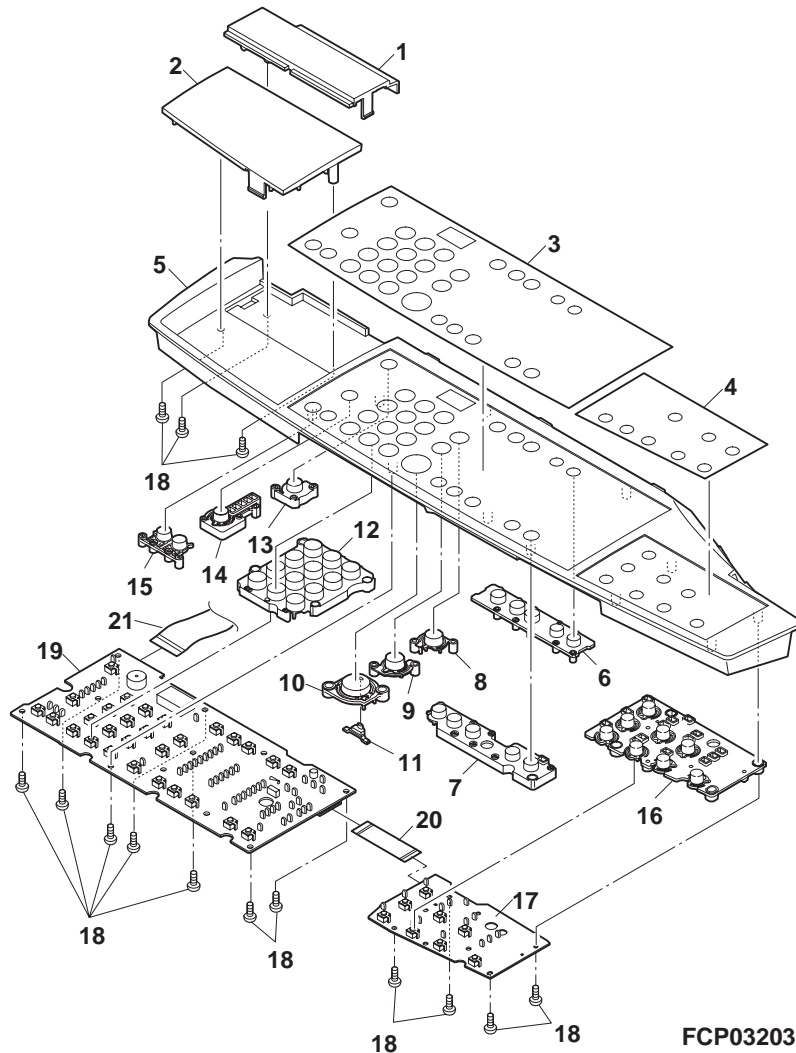
1 Exteriors



2 Operation panel section

NO.	PARTS CODE	PRICE RANK		NEW MARK	PART RANK	DESCRIPTION
		Ex.	Ja.			
1	GCÖVH0015QSZZ	AG	DX	N	D	LCD dummy cover
2	GCÖVH0016QSZZ	AH	DX	N	D	FAX dummy cover
3	HPNLH0004QSZZ	AV	FG	N	D	Main Dec. panel (Japan only)
	HPNLH0004QSZ1	AV	FG	N	D	Main Dec. panel (USA)
	HPNLH0004QSZ2	AV	FG	N	D	Main Dec. panel (CANADA)
	HPNLH0004QSZ3	AV	FG	N	D	Main Dec. panel (For Europe)
	HPNLH0004QSZ4	AV	FG	N	D	Main Dec. panel (U.Kingdom)
4	HPNLH0006QSZZ	AM	EG	N	D	Dec. panel (Japan only)
	HPNLH0006QSZ1	AM	EG	N	D	Dec. panel (USA,U.Kingdom)
	HPNLH0006QSZ2	AM	EG	N	D	Dec. panel (Other countries)
5	GCAB-0017QSZZ	AV	FG	N	D	Operation panel exterior (Except Europe)
	GCAB-0017QSZA	AW	FG	N	D	Operation panel exterior (For Europe)
6	JBTN-0018QSZZ	AE	DJ	N	C	Function key
7	JBTN-0029QSZZ	AE	DS	N	C	Select key
8	CBTN-0022QS01	AF	DS	N	C	CA key
9	CBTN-0021QS01	AF	DS	N	C	Clear key
10	CBTN-0019QS01	AG	DX	N	C	Copy key
11	JBTN-0020QSZZ	AC	DJ	N	C	Copy key (LIGHT IND)
12	CBTN-0016QS01	AN	EG	N	C	Ten key
13	JBTN-0026QSZZ	AE	DJ	N	C	Interrupt key
14	JBTN-0030QSZZ	AD	DJ	N	C	Mode select key
15	JBTN-0027QSZZ	AD	DJ	N	C	Density select key
16	JBTN-0023QSZZ	AG	DX	N	C	Special function key
17	CPWBF0025QS51	AZ	FQ	N	E	ERDH-operation PWB
18	XEBSD30P08000	AA	DD	N	C	Screw (3×8)
	CPWBN0024QS51	BR	LP	N	E	COPY-operation PWB (Japan,Australia)
	CPWBN0024QS52	BQ	LP	N	E	COPY-operation PWB (Other countries)
20	DHA i -0116QSZZ	AC	DJ	N	C	Panel ERDH harness
21	DHA i -0115QSZZ	AF	DS	N	C	Operation panel harness

2 Operation panel section

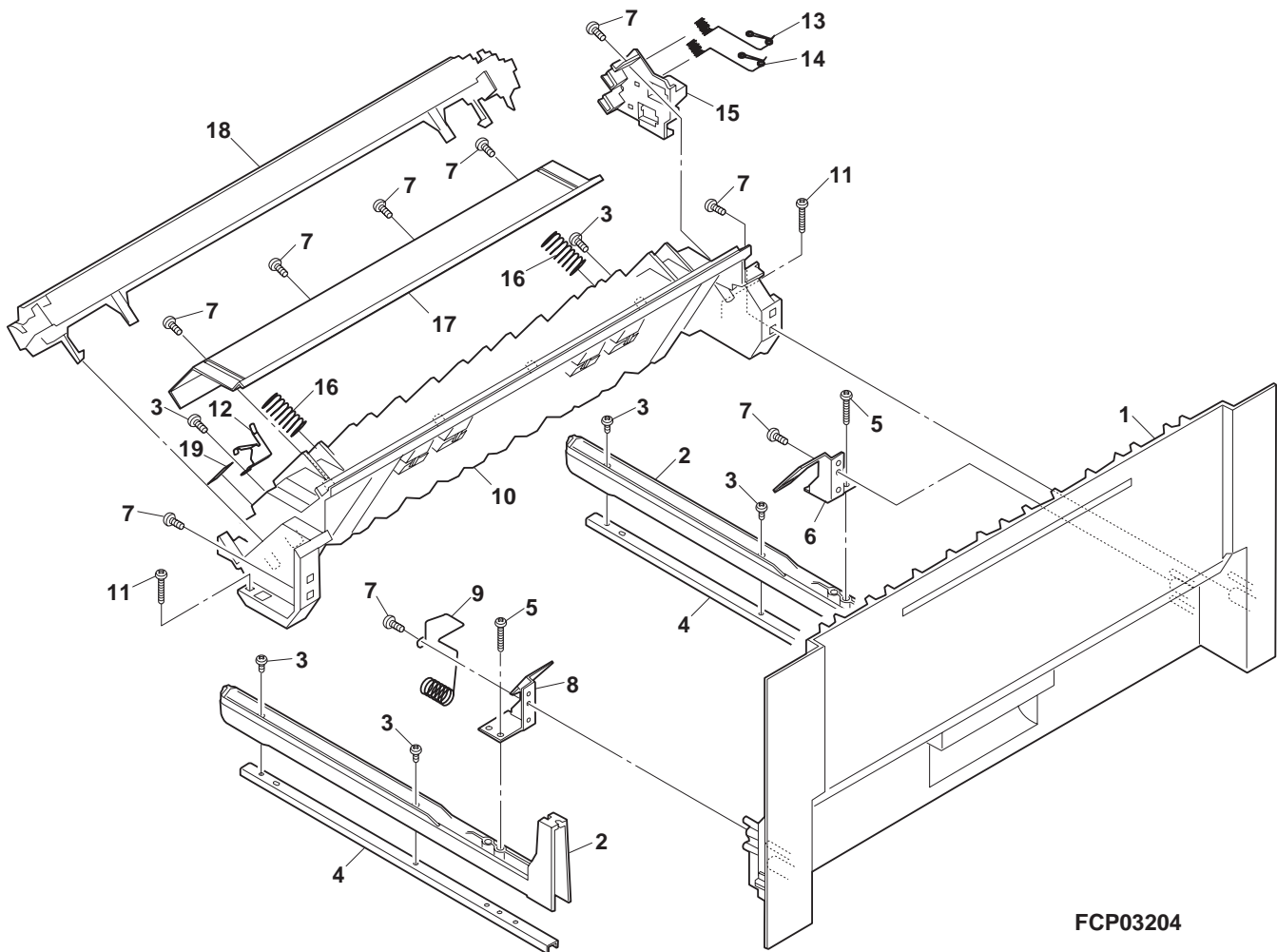


FCP03203

3 Side door unit

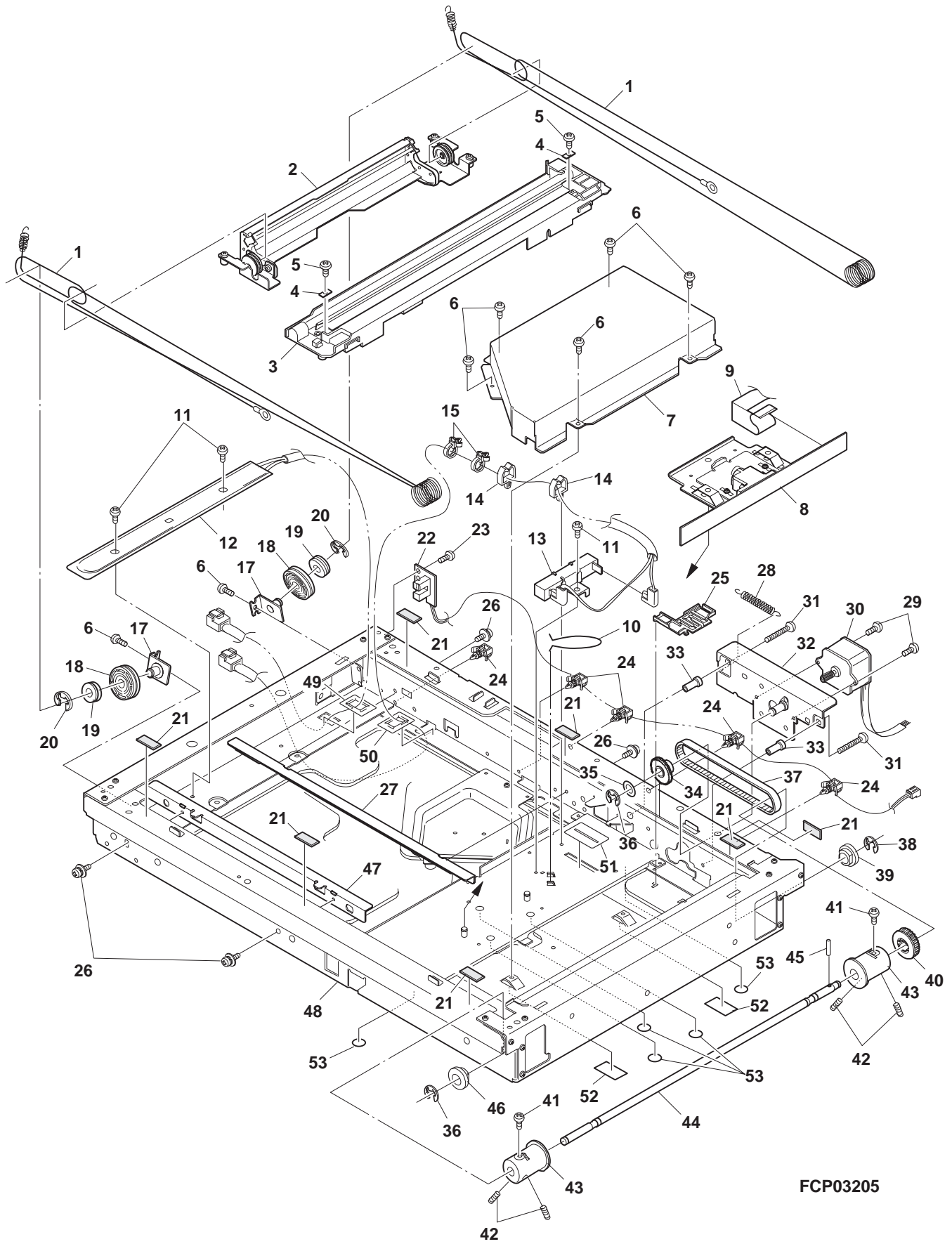
NO.	PARTS CODE	PRICE RANK		NEW MARK	PART RANK	DESCRIPTION
		Ex.	Ja.			
1	GDÖR-0001QSZZ	AW	FG	N	D	Right door (Except Europe)
	GDÖR-0001QSZA	AW	FG	N	D	Right door (For Europe)
2	LRALP0004QSZZ	AL	EB	N	C	Right door rail
3	XHBSD30P10000	AA	DD		C	Screw (3×10)
4	LPLTM0092QSZZ	AF	DS	N	C	Rail reinforce plate
5	XHBSD30P14000	AA	DD		C	Screw (3×14)
6	LPLTM0091QSZZ	AE	DS	N	C	Inner reinforce plate R
7	XEBSD30P10000	AA	DD		C	Screw (3×10)
8	LPLTM0090QSZZ	AE	DS	N	C	Inner reinforce plate F
9	MSPRC0085QSZZ	AE	DJ	N	C	TC case GND spring
10	LFRM-0016QSZZ	AT	EZ	N	C	Right door inner
11	XHBSD30P16000	AA	DD		C	Screw (3×16)
12	LPLTM0068QSZZ	AE	DJ	N	C	TC case terminal plate
13	MSPRC0084QSZZ	AD	DJ	N	C	BC interface electrode spring
14	MSPRC0083QSZZ	AD	DJ	N	C	TC interface electrode spring
15	LHLDZ0033QSZZ	AF	DS	N	C	TC terminal interphase holder
16	MSPRC0082QSZZ	AC	DJ	N	C	Pressure spring
17	PGiDH0041QSZZ	AL	EB	N	C	BC rear paper guide
18	CHLDZ0030QS51	BA	FX	N	E	TC unit
19	TCAUH0819FCZZ	AA	DD		C	HT caution label (Japan only)

3 Side door unit



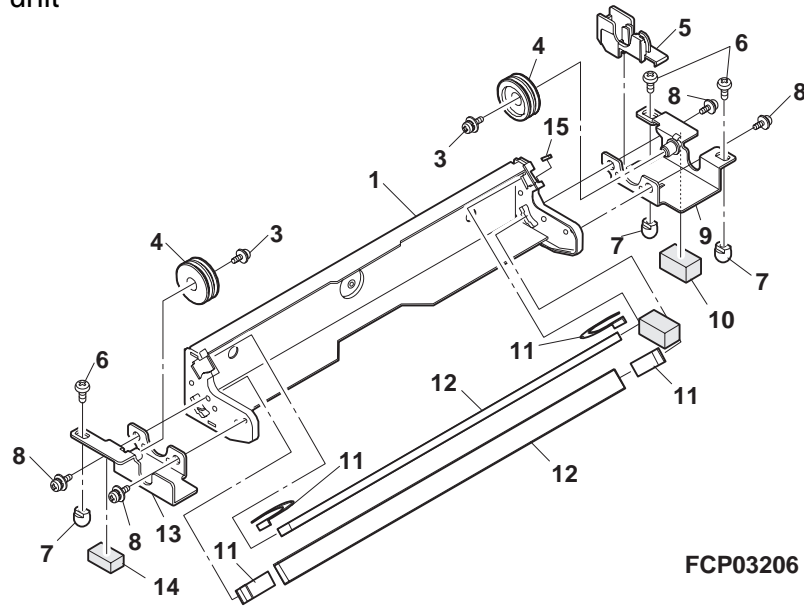
FCP03204

4 Optical unit



FCP03205

5 2nd,3rd mirror unit



FCP03206

5 2nd,3rd mirror unit

NO.	PARTS CODE	PRICE RANK		NEW MARK	PART RANK	DESCRIPTION
		Ex.	Ja.			
1	LHLDZ0044QSZZ	AP	EQ	N	C	2nd,3rd mirror holder
3	XBPSD40P06KS0	AA	DD		C	Screw (4×6KS)
4	NPLYZ0007QSZZ	AG	DX		C	W pulley
5	LHLDZ0013QSZZ	AD	DJ		C	CL guide holder
6	XEBSD40P06000	AA	DD		C	Screw (4×6)
7	CSLi-0103FC31	AF	DS		E	Slider unit (4pcs/set)
8	LX-BZ0335FCZZ	AA	DD		C	Screw (4×6)(Red)
9	CPLTM0029QS01	AH	DX		C	Pulley fixing plate R
10	PCUSS0009QSZZ	AA	DJ		C	MB-B cushion R
11	LFiX-0284FCZZ	AC	DD		C	2nd,3rd mirror fixing plate F
12	PMiR-0008QSZZ	AP	EQ	N	B	2nd,3rd mirror
13	CPLTM0028QS01	AH	DX		C	Pulley fixing plate F
14	PCUSS0201FCZZ	AA	DD		C	MB-B cushion
15	PSPAZ0011QSZZ	AD	DJ	N	C	Mirror spacer
	(Unit)					
901	CMiR-0008QS31	BB	GD	N	E	2nd,3rd mirror unit

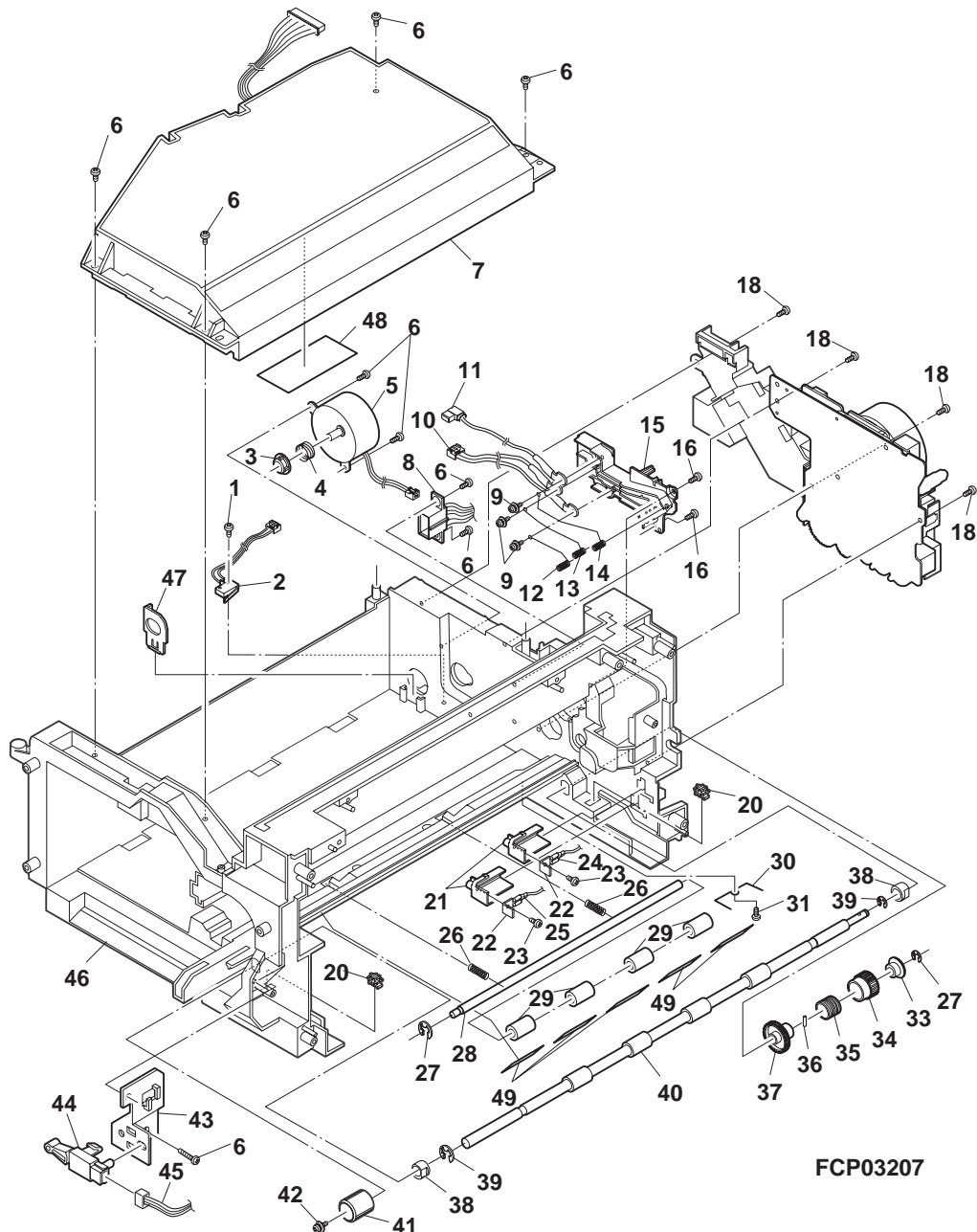
6 Middle frame unit

NO.	PARTS CODE	PRICE RANK		NEW MARK	PART RANK	DESCRIPTION
		Ex.	Ja.			
1	XEPSD23P12000	AA	DD		C	Screw (2.3×12)
2	CSW-M0007QS51	AQ	EQ	N	E	Inter lock switch unit
3	NCPL-0002QSZZ	AC	DJ		C	Hopper cupring
4	MSPRC0024QSZZ	AA	DJ		C	Hopper spring
5	RM0TD0016QSZZ	AY	FQ	N	B	Toner motor
6	XEBSD30P10000	AA	DD		C	Screw (3×10)
7	DUNTK0041QSZZ	AU	EZ	N	E	LSU unit (100V series)
	DUNTK0041QS11	CC	TZ	N	E	LSU unit (200V series)
8	DHAi-0112QSZZ	AP	EQ	N	C	DEV harness
9	XBPSC30P06ES0	AA	DD		C	Screw (3×6ES)
10	CHAi-0109QS51	AN	EG	N	E	GB-MCFB harness unit
11	CHAi-0107QS51	AK	DX	N	E	MC harness unit
12	MSPRD0104QSZZ	AC	DJ	N	C	HV terminal spring (case)
13	MSPRD0103QSZZ	AC	DJ	N	C	HV terminal spring (grid)
14	MSPRD0102QSZZ	AC	DJ	N	C	HV terminal spring
15	LHLDZ0038QSZZ	AH	DX	N	C	High voltage terminal holder
16	XEBSD30P08000	AA	DD		C	Screw (3×8)
18	XEBSD30P10000	AA	DD		C	Screw (3×10)
20	LSTPP0005QSZZ	AC	DJ	N	C	SD stopper
21	LHLDZ0039QSZZ	AE	DJ	N	C	High voltage terminal holder TC
22	LPLTM0067QSZZ	AC	DJ	N	C	TC terminal plate
23	XEBSD30P06000	AA	DD		C	Screw (3×6)
24	DHAi-0106QSZZ	AL	EB	N	C	BC harness
25	DHAi-0108QSZZ	AK	DX	N	C	TC harness
26	MSPRC0105QSZZ	AB	DJ	N	C	PS pressure spring
27	XRESP40-06000	AA	DD		C	E type ring
28	NSFTZ0021QSZZ	AK	EB	N	C	PS roller shaft
29	NKOM-0001QSZZ	AD	DJ	N	C	PS collar (φ12)
30	MSPRD0139QSZZ	AB	DJ	N	C	PS earth spring
31	XEBSD30P06000	AA	DD		C	Screw (3×6)

6 Middle frame unit

NO.	PARTS CODE	PRICE RANK		NEW MARK	PART RANK	DESCRIPTION
		Ex.	Ja.			
33	LBÖSZ1508FCZZ	AG	DX		C	Cam boss A2
34	PPiPP0174FCZZ	AC	DJ		C	Pipe C
35	MSPRC0106QSZZ	AF	DS	N	C	PS clutch spring
36	XPSSJ20-07000	AA	DD		C	Spring pin (φ2-7)
37	NGERH0062QSZZ	AK	DX	N	C	Clutch gear (32T)
38	NBRGC0047FCZZ	AD	DJ		C	Bearing E
39	XRESP60-08000	AA	DD		C	E type ring
40	NRÖLP0032QSZZ	AT	EZ	N	C	PS trnsport roller
41	JKNBZ0003QSZZ	AD	DJ	N	C	PS knob
42	XBPSD30P10KS0	AB	DD		C	Screw (3×10KS)
43	LPLTM0070QSZZ	AD	DJ	N	C	Process detect SW fixing plate
44	QSW-B0003QSZZ	AF	DS		B	Tray detect switch
45	DHAi-0090QSZZ	AF	DS	N	C	Drum initial SW harness
46	LFRM-0024QSZZ	BC	GD	N	C	Middle frame
47	LPiNS0301FCZZ	AD	DJ		C	DV guide pin
48	TCAUH0007QSZZ	AD	DJ		C	Laser caution label (200V series)
49	PSHEZ0056QSZZ	AC	DJ	N	C	PS rear guide sheet

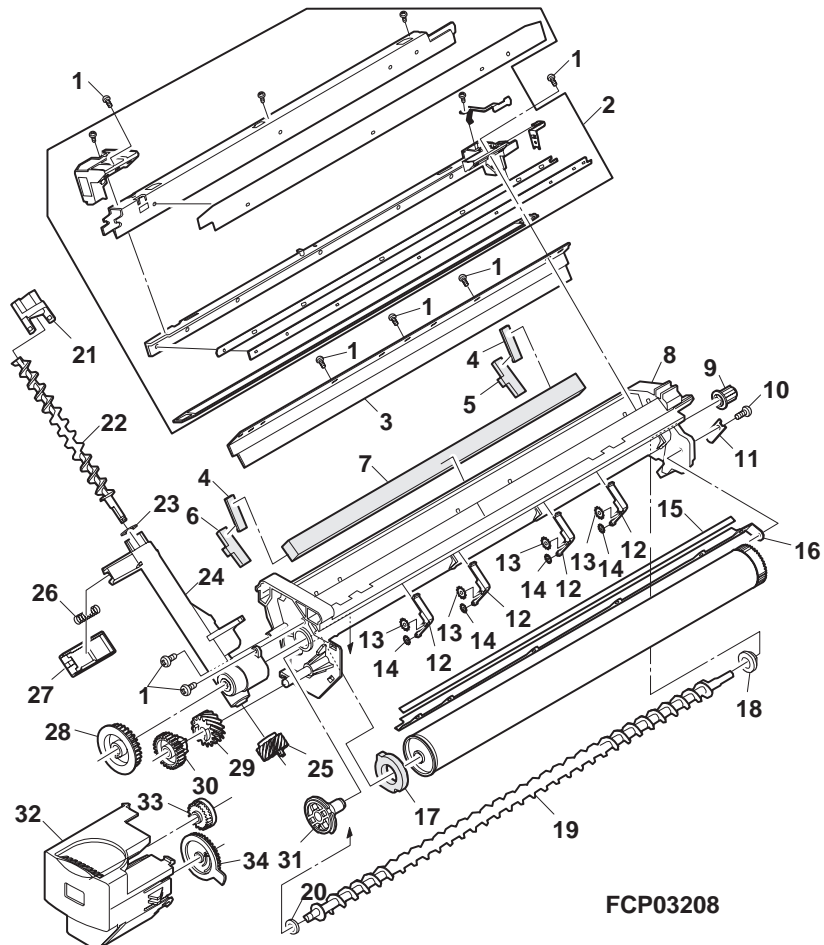
6 Middle frame unit



7 Process unit

NO.	PARTS CODE	PRICE RANK		NEW MARK	PART RANK	DESCRIPTION
		Ex.	Ja.			
1	XEBSD30P10000	AA	DD		C	Screw (3×10)
2	CHLDZ0035QS51	BH	GX	N	E	MC holder unit
3	UCLEZ0009QSZZ	AV	FG	N	C	Cleaning blade
4	PMLT-0015QSZZ	AA	DJ		C	Toner shield cushion
5	PSEL-0022QSZ1	AF	DS		C	Seal R
6	PSEL-0021QSZ1	AF	DS		C	Seal F
7	PMLT-0023QSZZ	AE	DJ	N	C	CL blade cushion
8	CFRM-0021QS01	AQ	EQ	N	C	Process frame
9	NCPL-0003QSZZ	AC	DJ		C	Screw cupring
10	XBBS030P06000	AA	DD		C	Screw (3×6)
11	LPLTM0101QSZZ	AC	DJ	N	C	Sub blade earth plate
12	LHLDZ0045QSZZ	AD	DJ	N	C	Starling holder
13	LX-WZ0329FCZZ	AB	DD		C	Washer
14	LX-RZ0001QSZZ	AB	DD	N	C	Starling (φ5)
15	PTPE-0006QSZZ	AC	DJ	N	C	Sub blade tape
16	UCLEZ0010QSZZ	AR	EQ	N	C	Sub blade
17	PMLT-0017QSZZ	AC	DJ		C	Flange cushion
18	NBRGP0299FCZZ	AC	DJ		C	CL bearing (M5)
19	NSFTZ0020QSZZ	AL	EB	N	C	Transport screw
20	PMLT-0018QSZ1	AC	DJ		C	Transport screw cushion
21	PCAPH0009QSZZ	AC	DJ	N	C	Toner pipe cap
22	NSFTZ0019QSZZ	AE	DJ	N	C	Transport pipe screw
23	PSPAZ0696FCZZ	AC	DJ		C	P cap spacer
24	PPiPP0005QSZZ	AM	EG	N	C	Toner pipe
25	NGERH0039QSZZ	AE	DS		C	Transport pipe gear (14T)
26	MSPRC0045QSZZ	AA	DJ		C	Toner pipe spring
27	PSHT-0004QSZZ	AC	DJ		C	Toner pipe shutter
28	NGERH0036QSZZ	AC	DJ		C	Transport screw gear (30T)
29	NGERH0038QSZZ	AC	DJ		C	Transport pipe gear (15T)
30	NGERH0037QSZZ	AC	DJ		C	Idle gear (26T)
31	LFiX-0007QSZ1	AE	DJ	N	C	Drum fixing plate B (USA,CANADA)
32	LFiX-0007QSZZ	AE	DJ	N	C	Drum fixing plate A (Other countries)
33	PCÖVP0018QSZZ	AG	DS		C	Drum cover
34	NGERH0035QSZ1	AC	DJ	N	C	Detector gear (25T)
34	NGERH0034QSZ1	AC	DJ	N	C	Detector gear (50T)

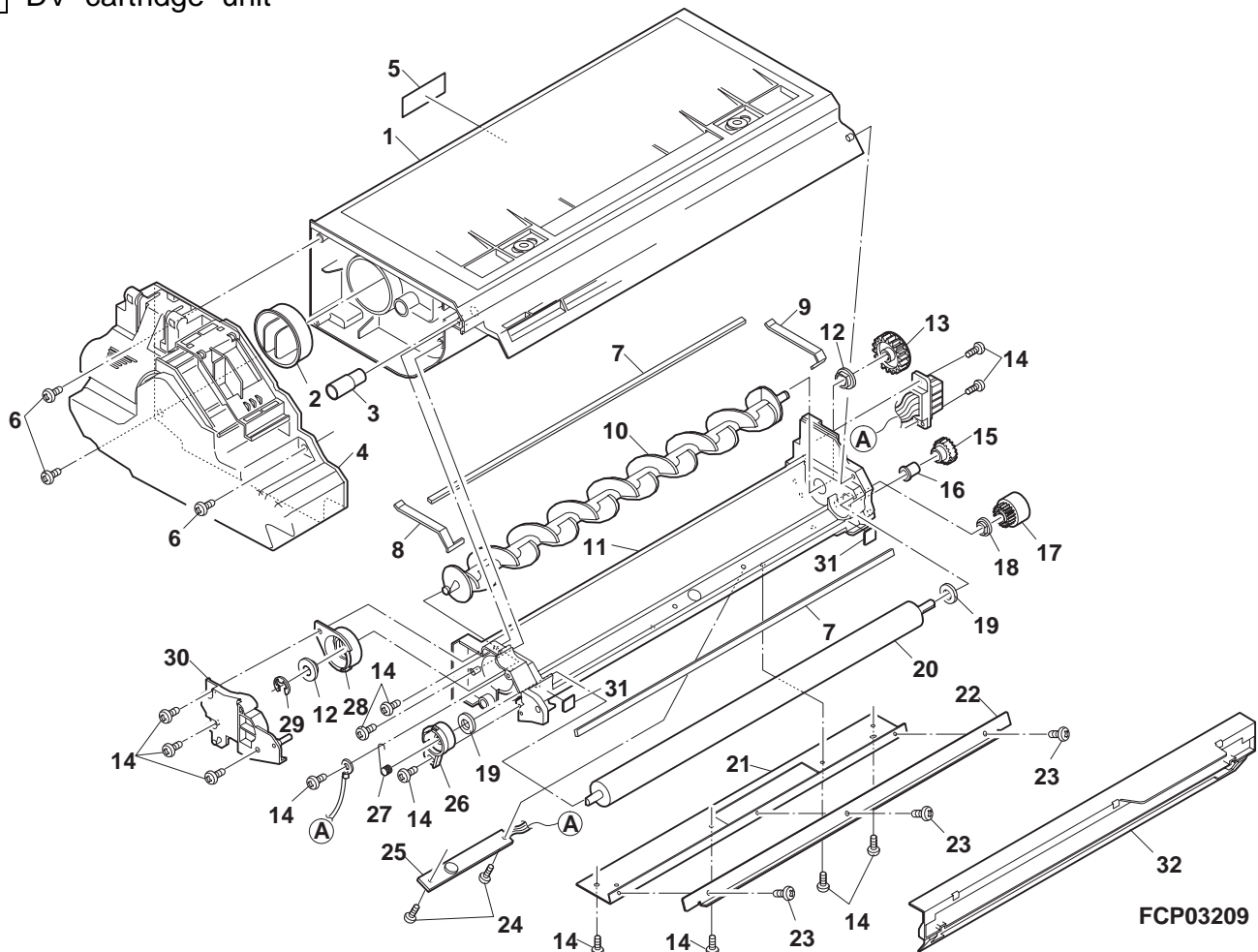
7 Process unit



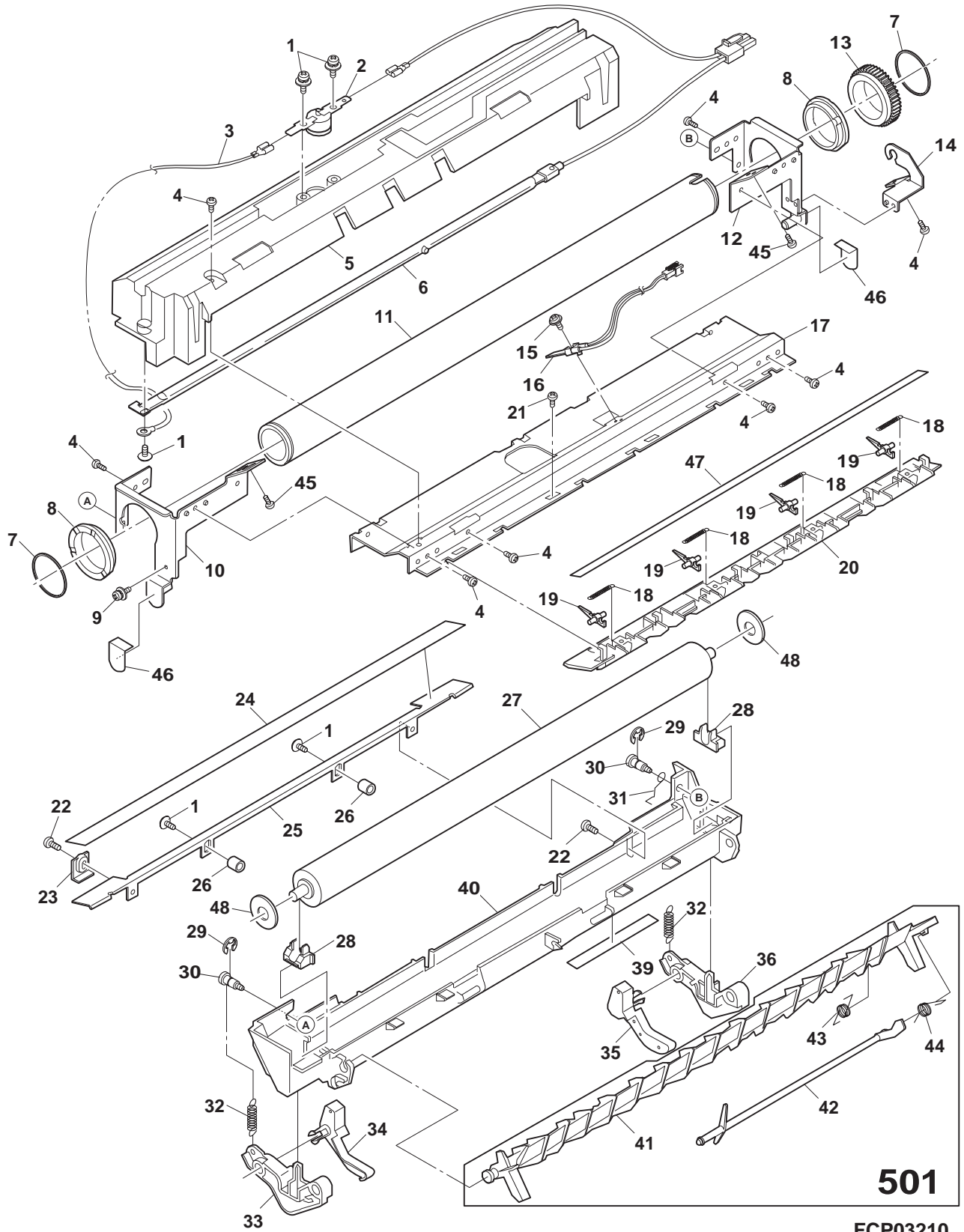
8 DV cartridge unit

NO.	PARTS CODE	PRICE RANK		NEW MARK	PART RANK	DESCRIPTION
		Ex.	Ja.			
1	CBØX-0002YS54	BF	GN	N	E	Toner box unit A (USA,CANADA)
	CBØX-0002YS52	BE	GN	N	E	Toner box unit B (Other countries)
2	PCAPH0005YSZZ	AD	DJ	N	C	Toner cap
3	PCAPH0004YSZZ	AC	DJ	N	C	Cap D
4	CBØX-0003YS52	AZ	FQ	N	E	Waste toner box unit
5	TLABZ1721FCZZ	AA	DD		C	DV CA label
6	XEBSD30P10000	AA	DD		C	Screw (3×10)
7	PMLT-0002YSZZ	AC	DJ	N	C	DV-TH cushion
8	PMLT-0005YSZZ	AB	DJ	N	C	DV side cushion F
9	PMLT-0006YSZZ	AB	DJ	N	C	DV side cushion R
10	NRØLM0001YSZZ	AP	EQ	N	C	MX roller
11	PBØX-0001YSZZ	AN	EQ	N	D	DV box
12	NBRGC0008YSZZ	AH	DX	N	C	DV bearing
13	NGERH0002YSZZ	AD	DJ	N	C	DV gear (28T)
14	XEBSF30P08000	AA	DD		C	Screw (3×8)
15	NGERH0001YSZZ	AD	DJ	N	C	DV idle gear (20T)
16	PCAPH0001YSZZ	AD	DJ	N	C	DV idle cap
17	NGERH0028QSZZ	AD	DJ		C	DV gear (18T)
18	NBRGC0387FCZ1	AC	DJ		C	Bearing
19	PMLT-0686FCZZ	AA	DD		C	MG cushion
20	NRØLM0002YSZZ	BA	FX	N	C	MG roller
21	LPLTM0002YSZZ	AS	EQ	N	C	Doctor reinforce plate
22	LPLTM0001YSZZ	AN	EG	N	C	Doctor
23	XBPBZ30P04000	AA	DD		C	Screw (3×4)
24	XUBUZ30P06000	AA	DD		C	Screw (3×6)
25	RDTCM0001YSZZ	AZ	FQ	N	B	ATC sensor
26	LHLDZ0002YSZZ	AC	DJ	N	C	MG holder
27	MSPRK0001YSZZ	AB	DJ	N	C	Bias spring
28	LHLDZ0001YSZZ	AD	DJ	N	C	Bearing holder
29	XRESP50-06000	AA	DD		C	E type ring
30	PCØVP0001YSZZ	AE	DJ	N	C	DV-F side cover
31	PSHEA0004YSZZ	AC	DJ	N	C	DV side sheet
32	CCØVP0003YS52	AS	EQ	N	E	MG cover unit

8 DV cartridge unit



9 Fusing unit



10 Main drive unit

NO.	PARTS CODE	PRICE RANK		NEW MARK	PART RANK	DESCRIPTION
		Ex.	Ja.			
1	PGiDM0030QSZZ	AL	EB	N	C	Harness guide
2	XHBSD30P08000	AA	DD		C	Screw (3×8)
3	DHAi-0110QSZZ	AP	EQ	N	C	HL harness
4	DHAi-0089QSZZ	AH	DX	N	C	Thermister harness
5	DHAi-0114QSZZ	AC	DJ	N	C	Main motor harness
6	XBBS40P10000	AA	DD		C	Screw (4×10)
7	RMÖTP0014QSZZ	BH	GX	N	B	Main motor
8	PTME-0003QSZ1	AD	DJ	N	C	Roller pawl
9	MSPRC1318FCZ1	AA	DJ		C	Spring B
10	RPLU-0009QSZZ	AN	EG	N	B	Solenoid CSA
11	LPLTM0048QSZZ	AF	DS	N	C	Drive earth plate
12	XRESP40-06000	AA	DD		C	E type ring
13	LX-WZ0002QSZZ	AB	DD	N	C	PO belt washer
14	NGERH0053QSZZ	AD	DJ	N	C	Gear (25/18T)
15	PTME-0012QSZZ	AC	DJ	N	C	PS clutch pawl
16	RPLU-0008QSZZ	AN	EG	N	B	Solenoid PS
17	XBBS40P04000	AA	DD		C	Screw (3×4)
18	CPLTM0047QS01	BA	FX	N	C	Main drive unit
19	NGERH0010QSZZ	AD	DJ		C	Gear (28T)
20	NGERH0009QSZZ	AD	DJ		C	Gear (46/16T)
21	NGERH0014QSZZ	AD	DJ		C	Gear (30/15T)
22	NGERH0011QSZZ	AD	DJ		C	MG gear
23	MSPRC2132FCZ1	AA	DJ		C	MG roller spring
24	NCPL-0004FCZZ	AB	DD		C	Cupring B
25	NGERH0052QSZZ	AE	DJ	N	C	Gear (38/18T)
26	NGERH0007QSZZ	AH	DX		C	Gear (68/26T)
27	NGERH0057QSZZ	AE	DJ	N	C	Gear (41T)
28	NGERH0008QSZ1	AL	EB		C	Gear (55/19T)
29	NGERH0059QSZZ	AD	DJ	N	C	Gear (23/27T)
30	NGERH0012QSZZ	AE	DS		C	Gear (20T)
31	NGERH0058QSZZ	AF	DS	N	C	Gear (21/17T)
32	NGERH0013QSZZ	AG	DX		C	Gear (31/17T)
33	NGERH0016QSZZ	AD	DJ		C	Cupring gear (34T)
34	MSPRC0081QSZZ	AB	DJ	N	C	HT ratchet spring
35	NGERH0055QSZZ	AE	DJ	N	C	Ratchet gear (44T)
36	NGERH0056QSZZ	AE	DJ	N	C	Ratchet gear (33T)
37	LX-WZ0314FCZZ	AA	DD		C	Washer
38	NGERH0054QSZZ	AD	DJ	N	C	Gear (33/20T)
501	CGERH0011QS51	AE	DS		E	MG gear unit

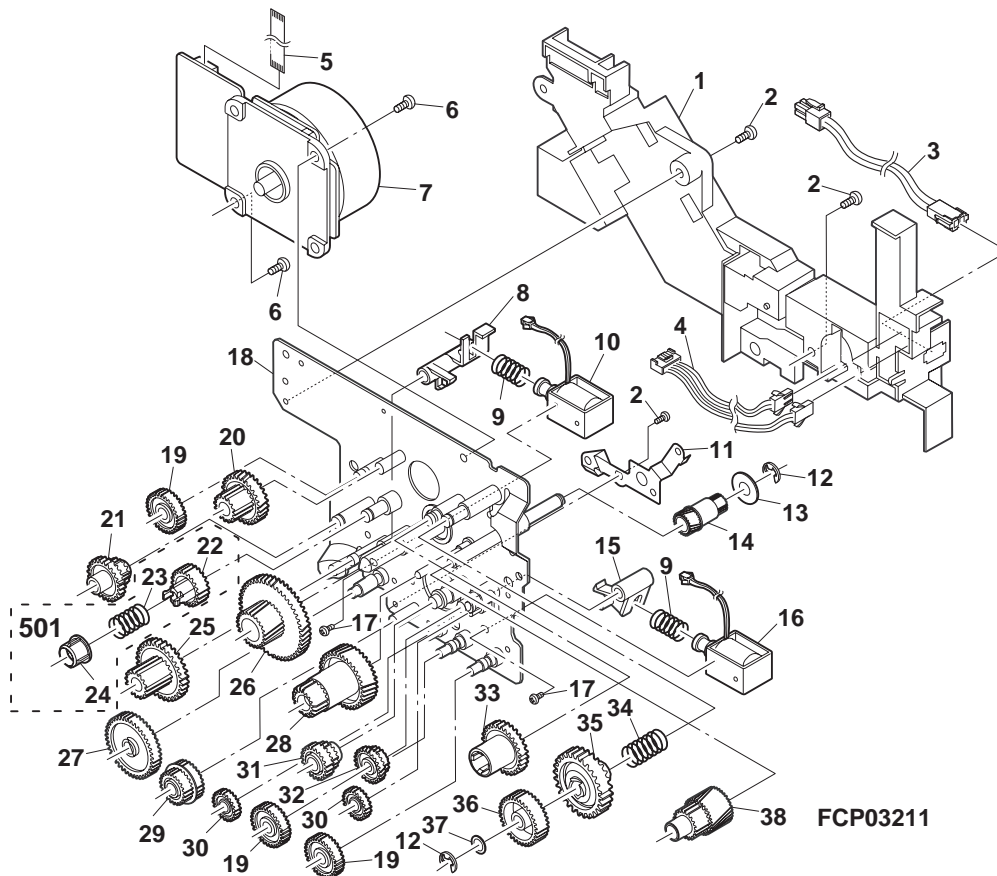
11 Base plate unit 1

NO.	PARTS CODE	PRICE RANK		NEW MARK	PART RANK	DESCRIPTION
		Ex.	Ja.			
1	QSW-B0003QSZZ	AF	DS		B	Tray detect switch
2	DHAi-0091QSZZ	AF	DS	N	C	Tray SW harness
3	PTME-0013QSZZ	AL	EB	N	C	Door lock pawl
4	MSPRT0100QSZZ	AB	DJ	N	C	Door lock lever spring
5	MLEVP0022QSZZ	AE	DJ	N	C	Door lock lever
6	LPLTM0065QSZZ	AL	EB	N	C	Base reinforce plate F
7	XEPSD40P12000	AA	DD		C	Screw (4×12)
8	XBBS40P10000	AA	DD		C	Screw (3×10)(Japan only)
9	CPWBF0023QS51	BA	FX	N	E	Dry heater PWB (Japan only)
10	LPLTM0066QSZZ	AF	DS	N	C	Tray earth plate
11	XBBS40P08000	AA	DD		C	Screw (3×8)
12	GDAi-0002QSZZ	BH	GX	N	C	Base plate
13	XRESP40-06000	AA	DD		C	E type ring
14	LBOSZ1031FCZZ	AC	DJ		C	Clutch boss
15	MSPRC1152FCZZ	AE	DJ		C	Clutch spring
16	PPiPP0006QSZZ	AD	DJ	N	C	Clutch sleeve
17	NGERH0060QSZZ	AH	DX	N	C	Clutch gear (34T)
18	XRESP50-06000	AA	DD		C	E type ring
19	NBRGP0007QSZZ	AD	DJ	N	C	Bearing (φ6)
20	CRÖLP0039QS01	AW	FG	N	C	Paper feeding roller
21	GFTA-0005QSZZ	AC	DJ	N	C	2nd drive cover
22	XBBS40P12000	AA	DD		C	Screw (4×12)
23	PSHEZ2174FCZZ	AB	DD		C	Paper feeding sheet
24	CPWBF1177FC66	AP	EQ	N	E	Manual paper feeding sensor PWB
25	MLEVP0023QSZZ	AE	DS	N	C	MF sensor actuator
26	PCÖVP0033QSZZ	AF	DS	N	C	Manual feed sensor cover
27	LRALP0005QSZZ	AN	EQ	N	C	Base plate rail R (Except Europe)
27	LRALP0005QSZA	AQ	EQ	N	C	Base plate rail R (For Europe)
28	PSHEZ2026FCZ1	AB	DD		C	Sheet M1
29	LHLDZ0017QSZZ	AD	DJ		C	Pressure plate holder
30	MSPRC0101QSZZ	AB	DJ	N	C	Pressure plate spring
31	GFTA-0007QSZZ	AE	DS	N	C	Pressure plate cover
32	MLEVP0024QSZZ	AF	DS	N	C	Sensor lever ACT
33	LDAiU0011QSZZ	AF	DS	N	C	Sensor base
34	CPWBF1177FC65	AP	EQ	N	E	Tray sensor PWB
35	XBBS40P08000	AA	DD		C	Screw (3×8)(Japan only)
36	RHET-0004QSZ1	AP	EQ	N	B	Dry heater (tray) (Japan only)

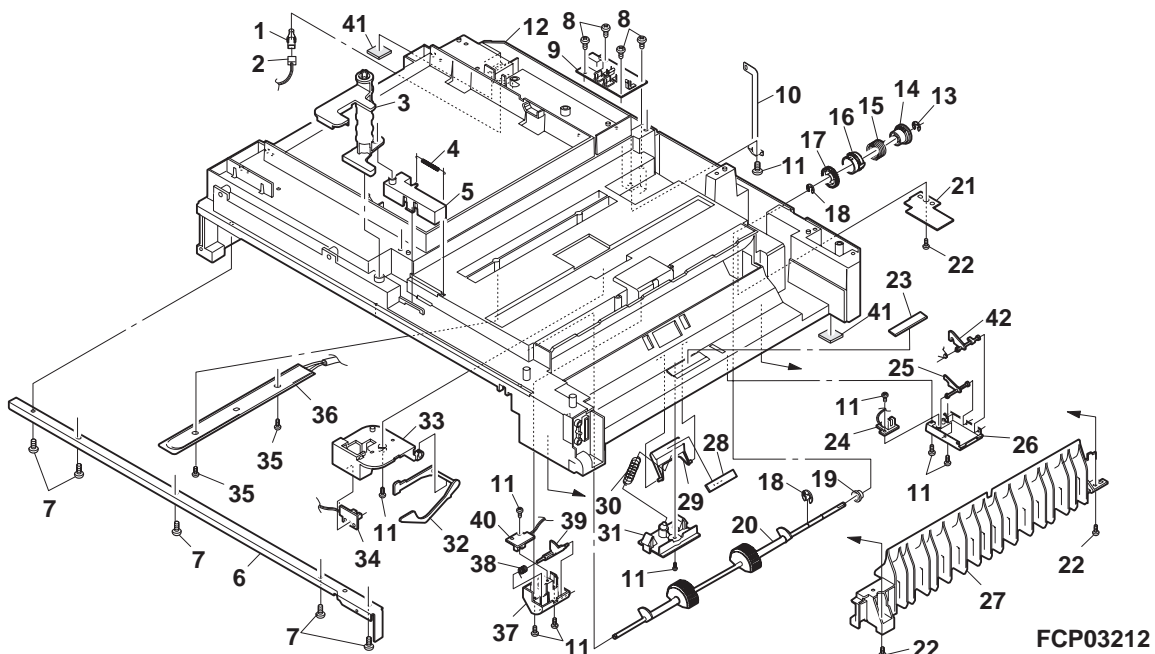
11 Base plate unit 1

NO.	PARTS CODE	PRICE RANK		NEW MARK	PART RANK	DESCRIPTION
		Ex.	Ja.			
37	PCÖVP0032QSZZ	AE	DJ	N	C	PS sensor cover
38	MSPRC0099QSZZ	AC	DJ	N	C	PS actuator spring
39	MLEVP0021QSZZ	AD	DJ	N	C	PS front actuator
40	CPWBF1177FC67	AP	EQ	N	E	PS sensor PWB
41	GLEGG0064FCZZ	AC	DJ	N	C	Rubber foot
42	MLEVP0044QSZZ	AE	DS	N	C	MF sensor actuator 2

10 Main drive unit



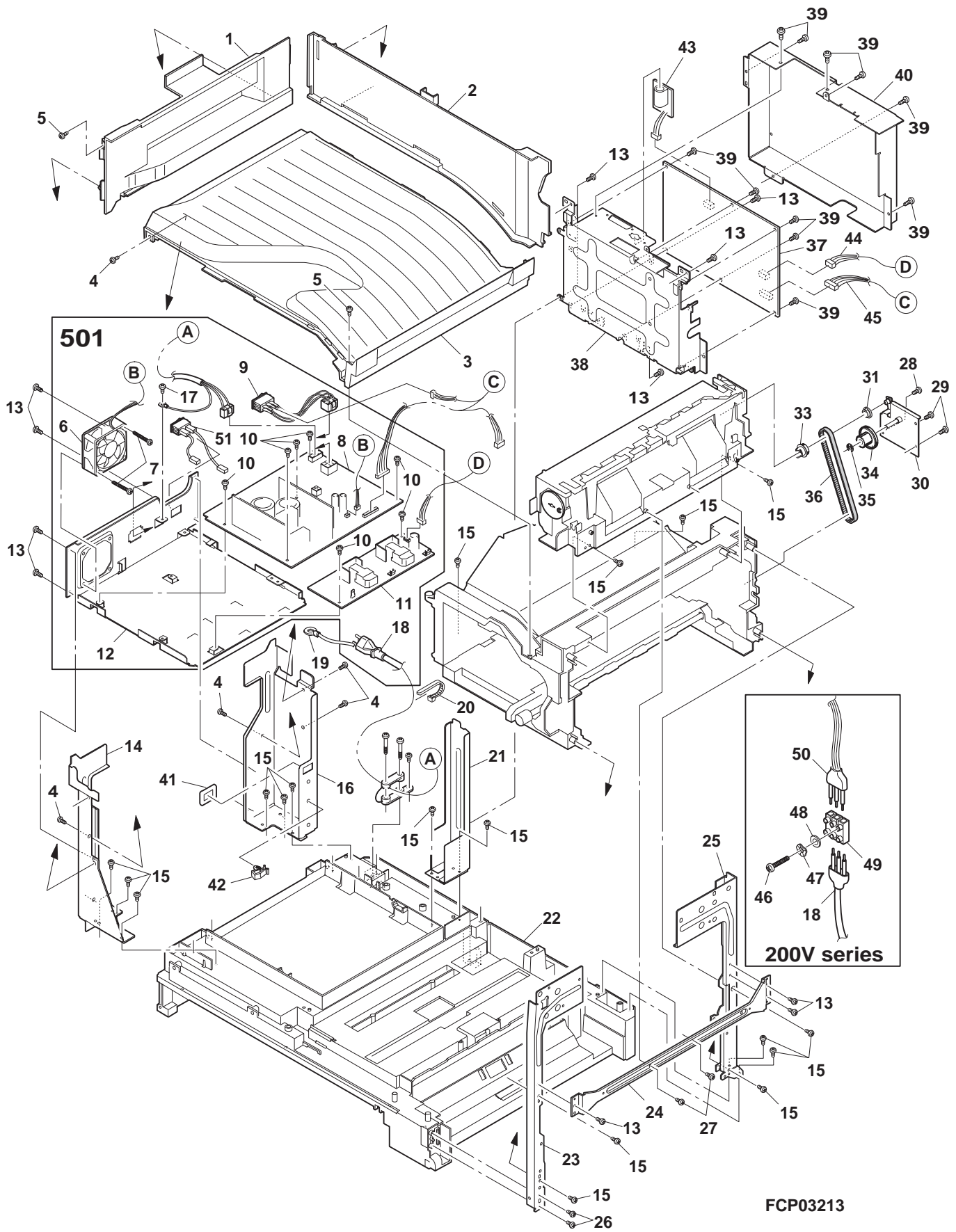
11 Base plate unit 1



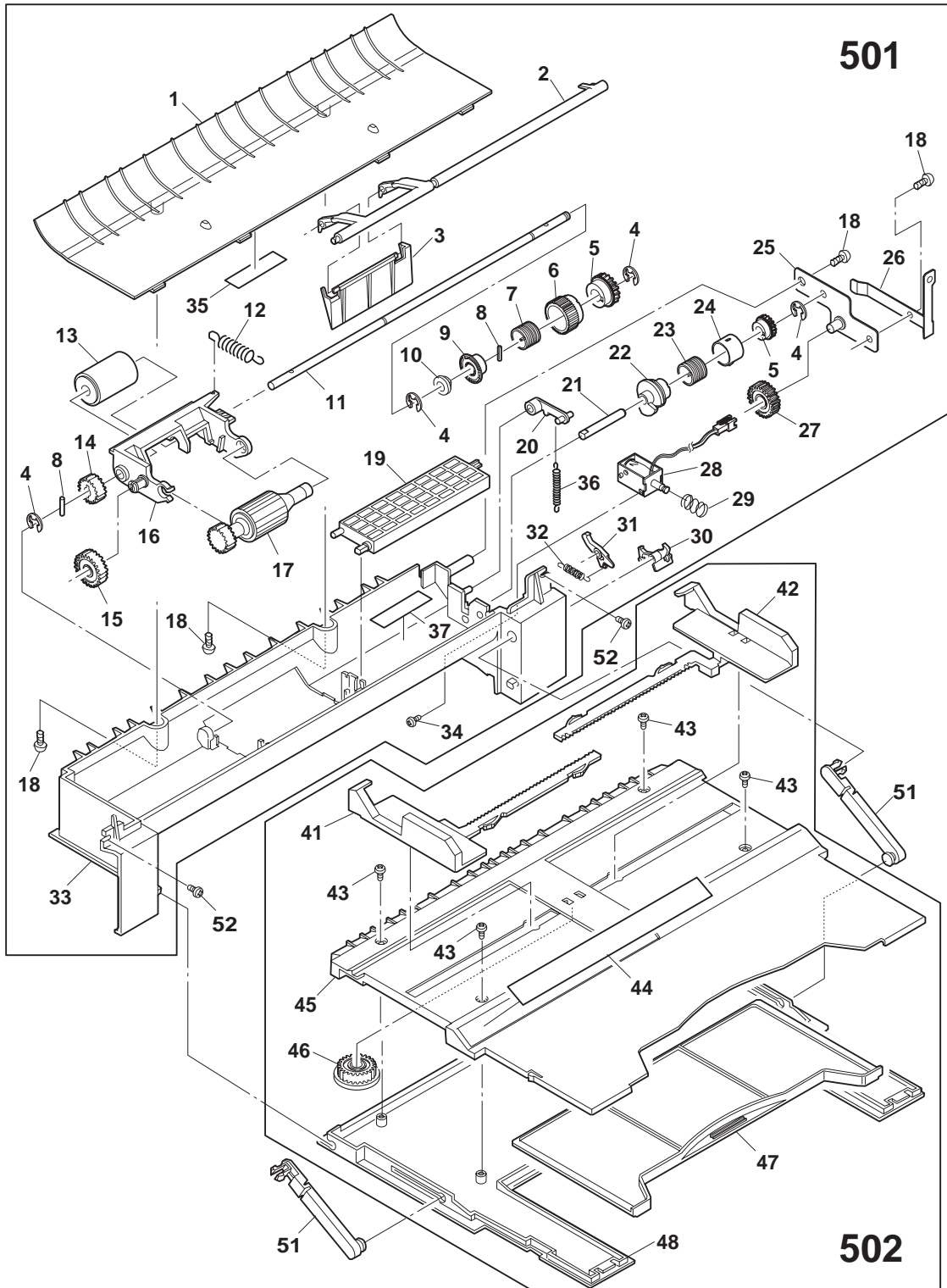
12 Base plate unit 2

NO.	PARTS CODE	PRICE RANK		NEW MARK	PART RANK	DESCRIPTION
		Ex.	Ja.			
1	GCÖVH0014QSZZ	AR	EQ	N	C	Delivery left cover (Except Europe)
	GCÖVH0014QSZA	AS	EQ	N	C	Delivery left cover (For Europe)
2	GCÖVH0012QSZZ	AS	EQ	N	C	Delivery rear cover (Except Europe)
	GCÖVH0012QSZA	AT	EZ	N	C	Delivery rear cover (For Europe)
3	LSÖU-0013QSZZ	BB	FX	N	D	Delivery tray (Except Europe)
	LSÖU-0013QSZA	BB	GD	N	D	Delivery tray (For Europe)
4	XEBSE30P08000	AA	DD		C	Screw (3×8)
5	XHBSE30P08000	AA	DD		C	Screw (3×8)
6	NFANP0003QSZZ	AY	FQ	N	B	PS fan
7	XBPSD30P30KS0	AA	DD		C	Screw (3×30KS)
8	RDEN-0002QSZZ	BX	TF	N	E	Low voltage power supply unit (100V)
	RDEN-0002QS11	BX	RR	N	E	Low voltage power supply unit (120V)
	RDEN-0002QS12	BY	TF	N	E	Low voltage power supply unit (200V series)
9	DUNTK0049QSZZ	AU	EZ	N	E	AC switch unit
10	XBPSD30P08KS0	AA	DD		C	Screw (3×8KS)
11	RDEN-0001QSZZ	BK	HG	N	E	High voltage power supply unit
12	LPLTM0082QSZZ	AR	EQ	N	C	PS PWB fixing plate
13	XHBSD30P06000	AA	DD		C	Screw (3×6)
14	LFRM-0022QSZZ	AP	EQ	N	C	Corner frame FL
15	XEPSD40P12000	AA	DD		C	Screw (4×12)
16	LFRM-0023QSZZ	AQ	EQ	N	C	Corner frame RL
17	XBPSN40P06K00	AA	DD		C	Screw (4×6K)
18	DHA i -0137QSZZ	AW	FG	N	B	AC cord (100V)(Japan)
	DHA i -0136QSZZ	AY	FQ	N	B	AC cord (120V)(USA,CANADA)
	DHA i -0142QSZZ	AX	FG	N	B	AC cord (For Europe)
	DHA i -0143QSZZ	BA	FX	N	B	AC cord BS (U.Kingdom)
	DHA i -0144QSZZ	AZ	FQ	N	B	AC cord SAA (Australia)
19	DHA i -0139QSZZ	AG	DX	N	B	Earth wire (Japan only)
20	LBJNDJ2004SCZZ	AA	DD		C	Wire band (120V)
21	LFRM-0032QSZZ	AN	EG	N	C	Corner frame CR
22	GDA i -0002QSZZ	BH	GX	N	C	Base plate
23	LFRM-0025QSZZ	AM	EG	N	C	Corner frame FR
24	LPLTM0099QSZZ	AK	DX	N	C	Corner frame R reinforce plate
25	LFRM-0026QSZZ	AS	EZ	N	C	Corner frame RR
26	XHBSD30P12000	AA	DD		C	Screw (3×12)
27	XHBSD30P08000	AA	DD		C	Screw (3×8)
28	XHBSD30P10000	AA	DD		C	Screw (3×10)
29	XHBSD30P08000	AA	DD		C	Screw (3×8)
30	CPLTM0071QS01	AL	EB	N	C	Drive joint plate
31	NBRGC0529FCZZ	AD	DJ		C	Bearing
33	NPLYZ0009QSZZ	AD	DJ	N	C	34 pulley
34	NGERH0071QSZZ	AF	DS	N	C	Gear (28/42T)
35	XRESP40-06000	AA	DD		C	E type ring
36	NBLTT0007QSZZ	AH	DX	N	B	Delivery roller drive belt (328)
37	CPWBX0021QS51	CD	UD	N	E	MCU PWB (AR-S160/AR-160)
	CPWBX0021QS54	CD	UD	N	E	MCU PWB (AR-161··)
	CPWBX0021QS53	CD	UD	N	E	MCU PWB (AR-161··)
38	LPLTM0063QSZZ	AU	EZ	N	C	MCU fixing plate
39	XBBSE30P06000	AA	DD		C	Screw (3×6)
40	LPLTM0064QSZZ	AR	EQ	N	C	MCU shield plate
41	PSHEP0090QSZZ	AD	DJ	N	C	Optical edge protect sheet A (Japan only)
42	LHLDW0049QSZZ	AC	DJ	N	C	Mini clamp (Japan only)
43	CPWBF0033QS51	AP	EQ	N	E	RCU PWB
44	DHA i -0101QSZZ	AK	DX	N	C	PS high volt harness
45	DHA i -0105QSZZ	AW	FG	N	C	PS low volt harness
46	XEBSD30P18000	AA	DD		C	Screw (3×18)(200V series)
47	XWSSD30-07000	AA	DD		C	Washer (200V series)
48	XWHSD30-05080	AA	DD		C	Washer (200V series)
49	QTANN0015FCZZ	AG	DS		C	3P terminal base (200V series)
50	DHA i -0140QSZZ	AP	EQ	N	C	AC harness (200V series)
51	DUNTK0088QSZZ	AU	EZ	N	E	Dry AC switch unit (Japan only)
501	DUNTK0050QSZZ	BF	GN	N	E	Power supply unit (100V)
	DUNTK0050QS11	CD	UB	N	E	Power supply unit (120V)
	DUNTK0050QS12	CC	UB	N	E	Power supply unit (200V series)

12 Base plate unit 2

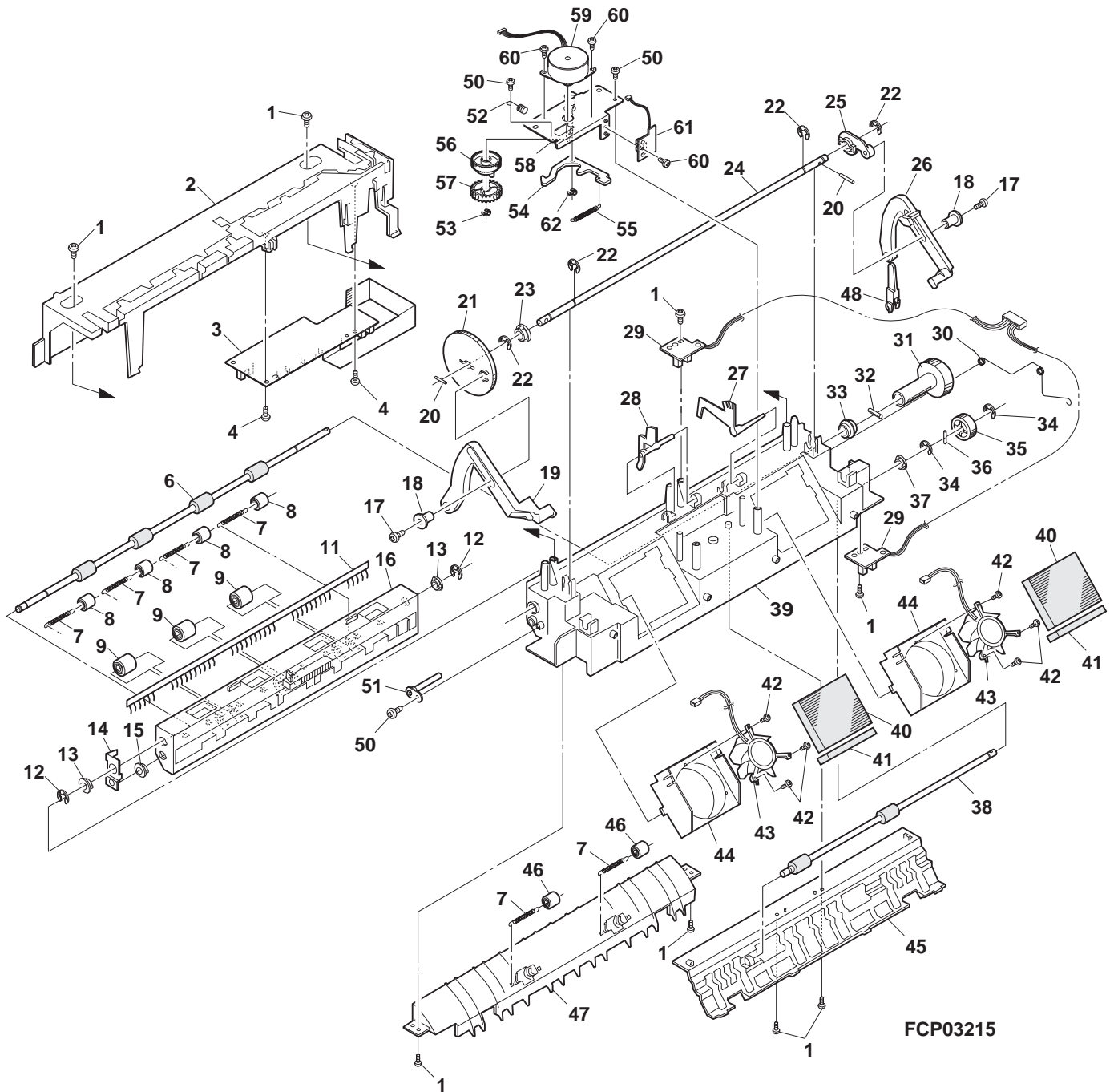


13 Manual paper feeding multi unit



FCP03214

14 Delivery frame unit



15 TC case unit

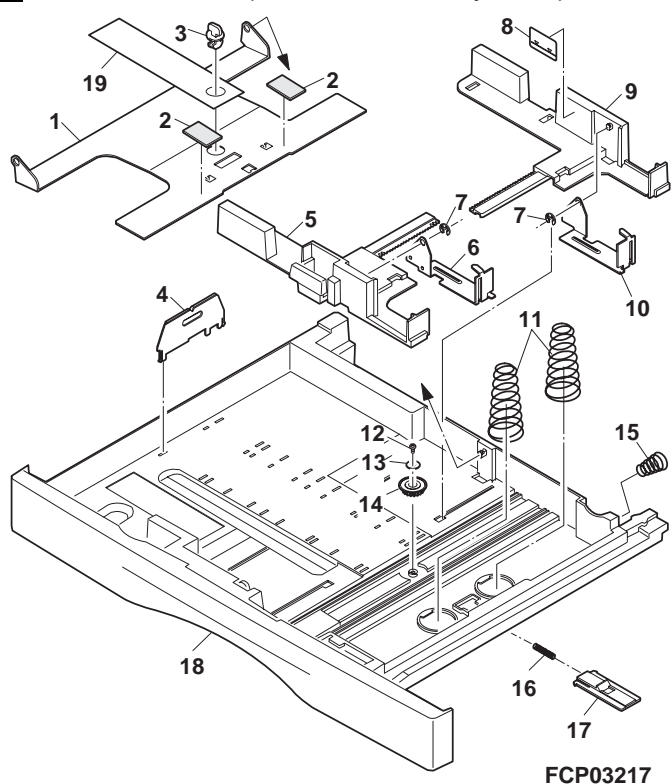
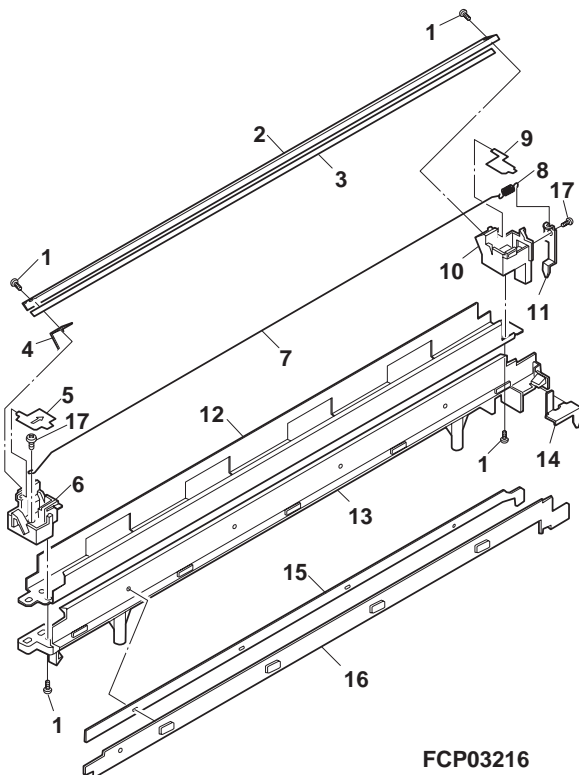
NO.	PARTS CODE	PRICE RANK		NEW MARK	PART RANK	DESCRIPTION
		Ex.	Ja.			
1	XEBSE30P08000	AA	DD		C	Screw (3×8)
2	PGiDH0031QSZZ	AH	DX	N	C	TC front guide
3	PSHEP0050QSZZ	AC	DJ	N	C	TC sheet
4	LPLTM0059QSZZ	AC	DJ	N	C	TC upper PG earth spring plate
5	PSHEP0051QSZZ	AB	DJ	N	C	TC cover sheet F
6	LHLDZ0030QSZZ	AD	DJ	N	C	TC holder F
7	DWiR-0466CSZZ	BG	HC		B	Charger wire
8	MSPRT0513FCZ1	AA	DJ		C	MC tension spring
9	PSHEP0052QSZZ	AB	DJ	N	C	TC cover sheet R
10	LHLDZ0032QSZZ	AD	DJ	N	C	TC holder R
11	QSLP-0009QSZZ	AD	DJ	N	C	TC electrode plate
12	PCASZ0006QSZZ	AM	EG	N	C	TC case
13	LHLDZ0031QSZZ	AK	EB	N	C	Discharge holder
14	QSLP-0008QSZZ	AD	DJ	N	C	BC electrode plate
15	LPLTZ0049QSZZ	AG	DS	N	C	Discharge plate
16	PGiDM0032QSZZ	AE	DS	N	C	Separator guide
17	XEBSD30P06000	AA	DD		C	Screw (3×6)
(Unit)						
901	CHLDZ0030QS51	BA	FX	N	E	TC unit

16 250 sheets tray unit

NO.	PARTS CODE	PRICE RANK		NEW MARK	PART RANK	DESCRIPTION
		Ex.	Ja.			
1	LPLTM0053QSZZ	AS	EQ	N	C	Rotation plate
2	PSHEZ0054QSZZ	AC	DJ	N	C	Rotation plate sheet
3	LHLDW1226FCZZ	AB	DJ		C	Turn fasner
4	LPLTM2642FCZZ	AC	DJ		C	Tray rear plate
5	PGiDM0035QSZZ	AP	EQ	N	C	Guide F
6	PTME-0255FCZZ	AG	DS		C	250 Tray pawl F
7	XRESP40-06000	AA	DD		C	E type ring
8	TLABH0064QSZ1	AC	DJ	N	C	Indicator label
9	PGiDM0036QSZZ	AP	EQ	N	C	Guide R
10	PTME-0256FCZZ	AG	DS		C	250 Tray pawl R
11	MSPRC0090QSZZ	AD	DJ	N	C	Tray spring
12	XEBSD30P08000	AA	DD		C	Screw (3×8)
13	XWHS30-08100	AA	DD		C	Washer
14	NGERH0193FCZZ	AB	DD		C	UC manual feed gear
15	MSPRC1873FCZ1	AB	DJ		C	Tray spring
16	MSPRC1145FCZZ	AA	DD		C	Stopper spring
17	LSTPP0161FCZZ	AB	DD		C	Rotation plate stopper
18	GCASP0003QSZZ	AZ	FQ	N	D	Tray case
19	TTAG-0004QSZZ	AC	DJ	N	D	Tray rotation tag
(Unit)						
901	CCASP0003QS51	BG	GX	N	E	250 Tray unit

15 TC case unit

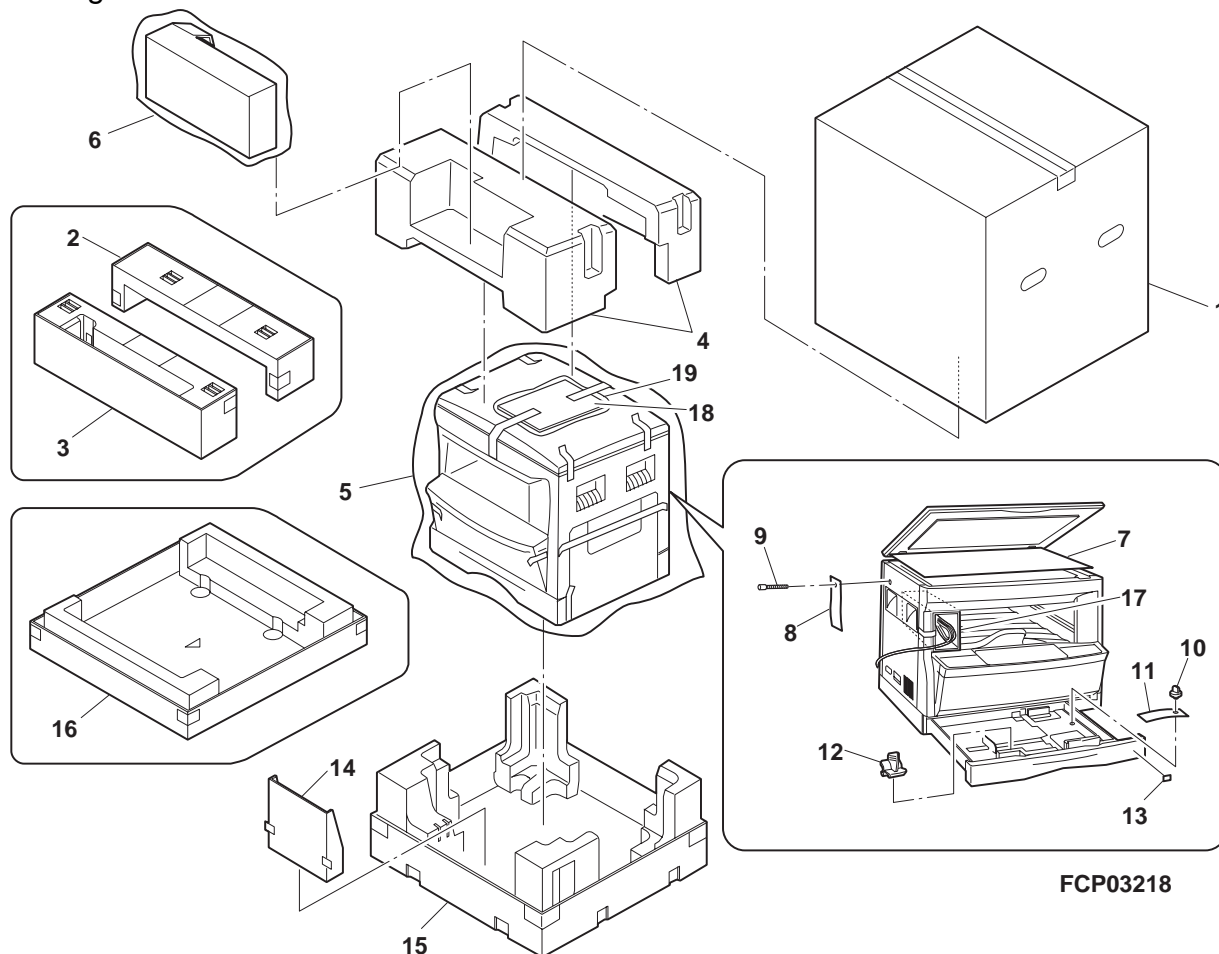
16 250 (250 sheets tray unit)



17 Packing material & Accessories

NO.	PARTS CODE	PRICE RANK		NEW MARK	PART RANK	DESCRIPTION
		Ex.	Ja.			
	SPAKC0135QSZZ	AY	FQ	N	D	Packing case (Japan only) (AR-S160)
	SPAKC0100QS14	AY	FQ	N	D	Packing case (USA) (AR-160)
	SPAKC0091QSZZ	AY	FQ	N	D	Packing case (For Europe except U.Kingdom) (AR-160)
1	SPAKC0100QS12	AY	FQ	N	D	Packing case (CANADA,Australia,U.Kingdom,Others) (AR-160)
	SPAKC0100QS15	AY	FQ	N	D	Packing case (USA) (AR-161)
	SPAKC0091QS11	AY	FQ	N	D	Packing case (For Europe except U.Kingdom) (AR-161)
	SPAKC0100QS13	AY	FQ	N	D	Packing case (CANADA,Australia,U.Kingdom,Others) (AR-161)
2	SPAKA0132QSZZ	AR	EQ	N	D	Top packing cushion F OC (Japan only)
3	SPAKA0131QSZZ	AT	EZ	N	D	Top packing cushion F OC (Japan only)
4	SPAKA0083QSZZ	AX	FG	N	D	Top packing cushion (Except Japan)
5	SSAKH9982QCZZ	AF	DS		D	Vinyl bag (1190x940mm)
6	UBAGF0018YSZ1	AF	DS	N	D	DV aluminum bag
7	SPAKA0134QSZZ	AE	DJ	N	D	OC protection sheet
8	TCADZ0010QSZZ	AC	DJ		D	Fixer screw caution card
9	LX-BZ0015QSZZ	AF	DS	N	C	2nd,3rd mirror fixing screw
10	LHLDW1226FCZZ	AB	DJ		C	Turn fasner
11	TTAG-0004QSZZ	AC	DJ	N	D	Tray rotation tag
12	CCLZ0005QS51	AQ	EQ		E	Charger cleaner unit
13	TLABH0065QSZZ	AN	EG	N	C	Size display label (AB series)
	TLABH0069QSZZ	AN	EG	N	C	Size display label (Inch series)
14	SPAKA0133QSZZ	AG	DS	N	D	Spacer A (Japan only)
15	CPAKA0084QS01	BA	FX	N	D	Bottom packing cushion (Except Japan)
16	SPAKA0130QSZZ	BA	FX	N	D	Bottom packing case (Japan only)
17	SPAKA0150QSZZ	AF	DS	N	D	Accessories protection packing cushion
	TiNSJ0114QSZZ	AX	ZZ	N	D	Operation manual (Japanese) (Japan)
	TiNSE0115QSZZ	AS	EQ	N	D	Operation manual (USA)
	TiNSE0116QSZZ	AS	EQ	N	D	Operation manual (English) (CANADA,Germany,U.Kingdom,Australia)
	TiNSF0117QSZZ	BA	FX	N	D	Operation manual (French) (CANADA)
18	TiNSG0118QSZZ	BB	GD	N	D	Operation manual (German) (Germany)
	TiNSS0119QSZZ	AY	FQ	N	D	Operation manual (Spanish)
	TiNSi0120QSZZ	AT	EZ	N	D	Operation manual (Italian)
	TiNSZ0121QSZZ	AY	FQ	N	D	Operation manual (Swedish)
	TiNSZ0122QSZZ	AY	FQ	N	D	Operation manual (Dutch)
19	SSAKA2343QCZZ	AA	DD		D	Vinyl bag (260x380mm)
101	TLABH0068QSZZ	AF	DS	N	C	Label (AB series)
	TLABH0078QSZZ	AF	DS	N	C	Label (Inch series)
102	GCOVZ0023QSZZ	BA	FX	N	D	Dust cover (Japan only)

17 Packing material & Accessories



18 MCU PWB

NO.	PARTS CODE	PRICE RANK		NEW MARK	PART RANK	DESCRIPTION
		Ex.	Ja.			
1	QCNCM0016QSZZ	AL	EB	N	C	Connector (60pin) [CN7]
2	QCNCM0017QSZZ	AC	DJ	N	C	Connector (4pin) [CN17]
3	QCNCM0019QSZZ	AB	DJ	N	C	Connector (2pin) [CN19]
4	QCNCM0030QSZZ	AL	EB		C	Connector (60pin) [CN3]
5	QCNCM0846FCZZ	AF	DS		C	Connector (12pin) [CN12]
6	QCNCM0877FCZZ	AF	DS		C	Connector (20pin) [CN10]
7	QCNCM0923FC22	AF	DS		C	Connector (22Pin) [CN5]
8	QCNCM0923FC24	AF	DS		C	Connector (24pin) [CN11]
9	QCNCM1005MCZZ	AB	DD		C	Connector (2pin) [CN36]
10	QCNCM1006MCZZ	AB	DD		C	Connector (3pin) [CN22]
11	QCNCM1119LC0C	AC	DJ	N	C	Connector (3pin) [CN28]
12	QCNCM1119LC0D	AC	DJ	N	C	Connector (4pin) [CN15]
13	QCNCM2401SC0C	AB	DJ		C	Connector (3pin) [CN29]
14	QCNCM2401SC0D	AC	DJ		C	Connector (4pin) [CN31]
15	QCNCM2401SC0E	AC	DJ		C	Connector (5pin) [CN1]
16	QCNCM7014SC0B	AD	DJ		C	Connector (2pin) [CN18]
17	QCNCM7014SC0C	AA	DD		C	Connector (3pin) [CN32]
18	QCNCM7014SC0D	AB	DD		C	Connector (4pin) [CN27]
19	QCNCM7014SC0E	AB	DJ		C	Connector (5pin) [CN34]
20	QCNCM7014SC0F	AB	DD		C	Connector (6pin) [CN26]
21	QCNCM7014SC0G	AB	DD		C	Connector (7pin) [CN6]
22	QCNCM7014SC1A	AC	DJ		C	Connector (11pin) [CN8]
23	QCNCM7014SC1B	AD	DJ		C	Connector (12pin) [CN4]
24	QCNCM7014SC1J	AC	DD		C	Connector (10pin) [CN9]
25	QCNCM0240QCZZ	AA	DJ		C	Connector (2pin) [CN14]
26	QCNCM0242QCZZ	AA	DJ		C	Connector (2pin) [CN16]
27	QCNCM0341QCZZ	AC	DJ		C	Connector (3pin) [CN33]
28	QCNCW0015QSZZ	AE	DJ		C	Connector (5pin) [CN35]
29	QCNCW0024QSZZ	AF	DS		C	Connector (32pin) [CN2]
30	QCNCW0885FCZZ	AG	DX		C	Connector (12pin) [CN30]
32	QCNCW0948FCZ3	AC	DJ		C	Connector (3pin) [CN23,24]
33	QCNCW1124LC0D	AB	DJ		C	Connector (4pin) [CN20]
34	QCNCW1124LC0H	AC	DJ		C	Connector (8pin) [CN13]
35	QCNCW1124LC1F	AC	DJ		C	Connector (16pin) [CN25]
36	QS0CZ6408ACZZ	AB	DD		C	8P DIP socket [for IC4]
38	RCRSZ0001QSZZ	AG	DS		B	Crystal (19.6608MHZ) [X1]
39	RCRSZ0003QSZZ	AP	EQ		B	Crystal (22.000MHZ) [X2]
40	RCRSZ0004QSZZ	AP	EQ	N	B	Crystal (20.3094MHZ) [X3]
41	RMP41000QCJJ	AB	DD		B	Block resistor (0Ω×4) [BR4,29,30]
42	RMP41103QCJJ	AB	DD		B	Block resistor (10KΩ×4) [BR1,2,3,6,7,11,13-24,31,47,51,52,66-73]
43	RMP4203QCJJ	AA	DD		B	Block resistor (20KΩ×4) [BR43,44,45,53-65]
44	RMP4222QCJJ	AB	DD		B	Block resistor (2.2KΩ×4) [BR50]
45	RMP4330QCJJ	AB	DD		B	Block resistor (33Ω×4) [BR5,8,9,10,12,32-38,40,41,42,74-82]
47	VCCCY1HH120J	AA	DD		C	Capacitor (50WV 12PF) [C253]
48	VCCCY1HH180J	AA	DD		C	Capacitor (50WV 18PF) [C11,12]
49	VCCCY1HH101J	AA	DD		C	Capacitor (50WV 100PF) [C266,CN3,7]
50	VCCUCY1AJ105Z	AC	DD		C	Capacitor (10WV 1.0μF) [C15]
51	VCEAGU1CW106M	AA	DD		C	Capacitor (16WV 10μF) [C7,9,103]
52	VCEAGU1CW107M	AB	DD		C	Capacitor (16WV 100μF) [C25,32,33,35,37,41,42,73]
53	VCEAGU1CW226M	AA	DD		C	Capacitor (16WV 22μF) [C91,98,254,255]
54	VCEAGU1CW476M	AB	DD		C	Capacitor (16WV 47μF) [C262,263]
55	VCEAGU1HW107M	AC	DD		C	Capacitor (50WV 100μF) [C74]
56	VCEAGA1VW106M	AA	DD		C	Capacitor (35WV 10μF) [C102]
57	VCEAGU1VW476M	AB	DD		C	Capacitor (35WV 47μF) [C72,75,76,96,97]
58	VCKYCY1EB223K	AA	DD		C	Capacitor (25WV 0.022μF) [C13,14,17,24,30,89]
	VCKYCY1EF104Z	AA	DD		C	Capacitor (25WV 0.10μF) [C1,8,10,16,19,20,22,26,27,28,29,31,34]
59	VCKYCY1EF104Z	AA	DD		C	Capacitor (25WV 0.10μF) [C36,43,58,62,65,69,84,85,87]
	VCKYCY1EF104Z	AA	DD		C	Capacitor (25WV 0.10μF) [C88,90,104,113,114,131-138]
	VCKYCY1EF104Z	AA	DD		C	Capacitor (25WV 0.10μF) [C200,201,202,203,205-251,CN5]
60	VCKYCY1HB102K	AA	DD	N	C	Capacitor (50WV 1000PF) [C4,5,18,21,23,77-81,105-112,115-130]
61	VCKYCY1HB222K	AA	DD		C	Capacitor (50WV 2200PF) [C39,61,68,95,101]
62	VCKYCY1HB471K	AB	DD		C	Capacitor (50WV 470PF) [C99,100,252]
63	VHDDSS133// -1	AA	DD		B	Diode (DSS133) [D2-9]
64	VHERD20EB3/-1	AB	DD		B	Zener diode (RD20EB3) [D1]
65	VHEUDZS5.6B-1	AC	DJ		B	Zener diode (UDZS5.6B) [ZD1-16]
66	VHiHG73C025FD	BE	GN		B	IC (HG73C025FD) [IC13]
67	VHiH8S/2350FP	AY	FQ		B	CPU (H8S/2350FP) [IC1]
68	VHiLM358PS/-S	AC	DJ		B	IC (LM358PS) [IC10]
69	VHiMC7805CT-2	AE	DS		B	IC (MC7805CT-2) [IC15]
70	VHiM24C04BN6/	AG	DX	N	B	IC (M24C04BN6) [IC4]
71	VHiM51953BL-1	AF	DS		B	IC (M51953BL) [IC2]
72	VHiM66236FP-1	AT	EZ		B	IC (M66236FP) [IC14]
73	VHiNJM2903M/-	AD	DJ		B	IC (NJM2903M) [IC16]
74	VHiNJM3414M-1	AF	DX		B	IC (NJM3414M) [IC9]
75	VHiSLA7027MUL	AQ	EQ		B	IC (SLA7027MUL) [IC25]
76	VHiSTA401A/-1	AP	EQ		B	IC (STA401A) [IC26]
77	VHiTA7291S/-1	AF	DS		B	IC (TA7291S) [IC27]

18 MCU PWB

NO.	PARTS CODE	PRICE RANK		NEW MARK	PART RANK	DESCRIPTION	
		Ex.	Ja.				
78	VH i TD62503F/-	AG	DX		B	IC (TD62503F)	[IC31]
79	VH i ULN2003AN1	AE	DJ		B	IC (ULN2003AN1)	[IC28,29,38]
80	VH i W24258A12J	AN	EG	N	B	IC (W24258A12J)	[IC18,19,21,22,35,37]
81	VH i 29F400BCA1	BA	FX	N	B	IC (29F400BCA1)(AR-S160/AR-160)	[IC20]
	VH i 29F400BCB1	BA	FX	N	B	IC (29F400BCB1)(AR-161)	[IC20]
82	VH i 65808GN146	BF	GN	N	B	IC (65808GN146)	[IC5]
83	VH i 74HCT244MF	AH	DX		B	IC (74HCT244MF)	[IC8]
84	VH i 74LS244NS1	AH	DX		B	IC (74LS244NS1)	[IC30,32,33]
85	VH i 74VHC08/-1	AE	DS		B	IC (74VHC08)	[IC3,39]
86	VH i TC74ACT32F	AF	DS		B	IC (TC74ACT32F)	[IC12]
87	VH V i CPN38// -1	AF	DS		B	IC protector (ICPN38)	[F1,2,3,5,6,7]
88	VRS-CY1JD000J	AA	DD		C	Resistor (1/16W 0Ω ±5%)	[R94,115,202,FB3,4,9]
89	VRS-CY1JD100J	AA	DD		C	Resistor (1/16W 10Ω ±5%)	[R8,51-56,61-66]
90	VRS-CY1JD101J	AA	DD		C	Resistor (1/16W 100Ω ±5%)	[R3,4,7,117,118]
91	VRS-CY1JD102J	AA	DD		C	Resistor (1/16W 1.0KΩ ±5%)	[R13-18,24,25,33,137,201]
92	VRS-CY1JD103F	AB	DD		C	Resistor (1/16W 10KΩ ±1%)	[R29,31,72,74]
93	VRS-CY1JD103J	AA	DD		C	Resistor (1/16W 10KΩ ±5%)	[R1,2,5,6,10,23,50,70,73,85,93,97]
94	VRS-CY1JD680J	AA	DD		C	Resistor (1/16W 68Ω ±5%)	[R105]
95	VRS-CY1JD221J	AA	DD		C	Resistor (1/16W 220Ω ±5%)	[R107]
96	VRS-CY1JD511J	AA	DD		C	Resistor (1/16W 510Ω ±5%)	[R103]
97	VRS-CY1JD203J	AA	DD		C	Resistor (1/16W 20KΩ ±5%)	[R27,32,34,35,57-60,67,68,138,139,140]
	VRS-CY1JD205J	AA	DD		C	Resistor (1/16W 2.0MΩ ±5%)	[R28,30]
99	VRS-CY1JD220F	AA	DD	N	C	Resistor (1/16W 22Ω ±1%)	[R76]
101	VRS-CY1JD242F	AA	DD		C	Resistor (1/16W 2.4KΩ ±1%)	[R69,75]
102	VRS-CY1JD242J	AA	DD		C	Resistor (1/16W 2.4KΩ ±5%)	[R81,100,109]
103	VRS-CY1JD330J	AA	DD		C	Resistor (1/16W 30Ω ±5%)	[R36-49]
104	VRS-CY1JD331J	AA	DD		C	Resistor (1/16W 330Ω ±5%)	[R12,106,FB1]
105	VRS-CY1JD472J	AA	DD		C	Resistor (1/16W 4.7KΩ ±5%)	[R19,21,26,77,78,79,87]
106	VRS-CY1JD473J	AA	DD		C	Resistor (1/16W 47KΩ ±5%)	[R101,102,113,114]
107	VRS-RE3DA1R0J	AB	DD		C	Resistor (2W 1.0Ω ±5%)	[R104,108]
108	VRS-RE3DA131J	AC	DD		C	Resistor (2W 130Ω ±5%)	[R71]
109	VRS-TP2BD221J	AB	DD		C	Resistor (1/8W 220Ω ±5%)	[R80,82,83,84,86,88,89]
110	VRS-TP2BD472J	AA	DD		C	Resistor (1/8W 4.7KΩ ±5%)	[R111,112]
111	VRS-TP2BD473J	AA	DD		C	Resistor (1/8W 47KΩ ±5%)	[R110]
112	VSDTC114EK/-1	AB	DD		B	Transistor (DTC114EK)	[Q1,3]
113	VS2SA1036KQRC	AB	DD		B	Transistor (2SA1036KQRC)	[Q2]
114	VH i SC65165V6T	BW	RR	N	B	16MDRAM (SC65165V6T)(AR-161 ·· USA,CANADA)	[IC36]
115	VH i 16163CLT-6	BA	FX	N	B	64MDRAM (16163CLT-6)(AR-161 ·· USA,CANADA)	[IC34]
116	VHD1N4005E/-1	AB	DJ		B	Diode (1N4005E)	[D10]
117	RF i LN0019GCZZ	AC	DJ		B	Bead filter	[FB2,10,11]
118	VRS-TS2AD101J	AA	DD		C	Resistor (1/10W 100Ω ±5%)	[FB8]
119	VRD-HT2EY103J	AA	DD		C	Resistor (1/4W 10KΩ ±5%)	
	(Unit)						
901	CPWBX0021QS51	CD	UD	N	E	MCU PWB (AR-S160/AR-160)	
	CPWBX0021QS54	CD	UD	N	E	MCU PWB (AR-161 ·· USA,CANADA)	
	CPWBX0021QS53	CD	UD	N	E	MCU PWB (AR-161 ·· Except USA,CANADA)	

19 COPY-Operation PWB

NO.	PARTS CODE	PRICE RANK		NEW MARK	PART RANK	DESCRIPTION	
		Ex.	Ja.				
1	QCNCW0020QSZZ	AG	DS	N	C	Connector (12pin)	[CN1]
2	QCNCW0021QSZZ	AF	DS	N	C	Connector (15pin)	[CN4]
3	QCNCW0022QSZZ	AE	DJ	N	C	Connector (25pin)	[CN3]
4	QCNCW0023QSZZ	AE	DS	N	C	Connector (19pin)	[CN2]
5	QSW-P0008QSZZ	AC	DJ	N	B	Switch (EVQ-23G-04K)	[K1-5,7,8,9,11-14,16-20,22-33]
6	RCRMZ0001QSZZ	AE	DS	N	B	Crystal (9.8304MHZ)	[X1]
7	RCRSZ0005QSZZ	AF	DS	N	B	Crystal (MX38T)(32.768KHZ)	[X2]
8	VCCCY1HH150J	AB	DD		C	Capacitor (50WV 15PF)	[C12,13]
9	VCCCY1HH300J	AB	DD		C	Capacitor (50WV 30PF)	[C14,15]
10	VCEAJU1CW476M	AB	DD		C	Capacitor (16WV 47μF)	[C1]
11	VCKYCY1HB102K	AA	DD	N	C	Capacitor (50WV 1000PF)	[C2-7,10,11,18]
12	VCKYCY1HF103Z	AA	DD		C	Capacitor (50WV 0.010μF)	[C8]
13	VCCUCY1AJ105Z	AC	DD		C	Capacitor (10WV 1.0μF)	[C9]
14	VCKYCY1HF223Z	AA	DD		C	Capacitor (50WV 0.022μF)	[C17]
15	VHDDSS133// -1	AA	DD		B	Diode (DSS133)	[D56-67]
16	VH i H8/3643/-1	AU	EZ	N	B	IC (H8/3643)	[IC1]
17	VH i TB62706AN/	AS	EQ	N	B	IC (TB62706AN)	[IC3]
18	VH i TD62785F//	AN	EQ	N	B	IC (TD62785F)	[IC2]
19	VHPLTC3650G01	AQ	EQ		B	Photo transistor (LTC3650G01)	[U1]
20	VHPMPG3864K-J	AC	DJ		B	LED (Green) (MPG3864K)(Japan,Australia)	[D1-4,6,7,10,11,12,14,15,16,18-24]
	VHPMPG3864K-J	AC	DJ		B	LED (Green) (MPG3864K)(Japan,Australia)	[D26-33,35,36,37,39,40,41,43,44,46-50,52]
	VHPMPG3864K-J	AC	DJ		B	LED (Green) (MPG3864K)(Except Japan,Australia)	[D1-4,6,7,10,11,12,14,15,16,18-20,22,23,24]

19 COPY-Operation PWB

NO.	PARTS CODE	PRICE RANK		NEW MARK	PART RANK	DESCRIPTION
		Ex.	Ja.			
20	VHPMPG3864K-J	AC	DJ		B	LED (Green) (MPG3864K)(Except Japan,Australia) [D26-32,35,36,37,39,40,41,43,44,46-50,52]
21	VHPMVR3864K-J	AC	DJ		B	LED (Red) (MVR3864K) [D5,8,9,13,17,42,45,51,53,54]
22	VRD-RC2EY161J	AA	DD		C	Resistor (1/4W 160Ω ±5%) [R1,9]
23	VRS-CY1JD000J	AA	DD		C	Resistor (1/16W 0Ω ±5%) [R58]
24	VRS-CY1JD103J	AA	DD		C	Resistor (1/16W 10KΩ ±5%) [R10-17,20-24,26-44,46-49,51]
25	VRS-CY1JD105J	AA	DD		C	Resistor (1/16W 1.0MΩ ±5%) [R45]
26	VRS-CY1JD123J	AA	DD		C	Resistor (1/16W 12KΩ ±5%) [R18]
27	VRS-CY1JD471J	AA	DD		C	Resistor (1/16W 470Ω ±5%) [R8]
28	VRS-TP2BD6R8J	AA	DD	N	C	Resistor (1/8W 6.8Ω ±5%) [R2-7]
29	VS2SA1162-Y-1	AB	DD		B	Transistor (2SA1162) [Q1]
30	VS2SC2712Y/-1	AB	DJ		B	Transistor (2SC2712Y) [Q4]
	(Unit)					
901	CPWBN0024QS51	BR	LP	N	E	COPY-Operation PWB (Japan,Australia)
	CPWBN0024QS52	BQ	LP	N	E	COPY-Operation PWB (Except Japan,Australia)

20 Duplex/P-out sensor PWB

NO.	PARTS CODE	PRICE RANK		NEW MARK	PART RANK	DESCRIPTION
		Ex.	Ja.			
1	DHA i - 0100QSZZ	AG	DX	N	C	Duplex / P-out sensor harness
2	LBNDJ0037FCZ1	AA	DJ		C	Wire band (T18S)
3	VCKYPU1HB102K	AA	DD		C	Capacitor (50WV 0.001μF)
4	VHPGP1S53V/-1	AE	DS		B	Photo transistor (GP1S53V)
	(Unit)					
901	CPWBF1177FC64	AP	EQ	N	E	Duplex / P-out sensor PWB

21 MHPS PWB

NO.	PARTS CODE	PRICE RANK		NEW MARK	PART RANK	DESCRIPTION
		Ex.	Ja.			
1	DHA i - 0096QSZZ	AF	DS	N	C	Scanner HP sensor harness
2	LBNDJ0037FCZ1	AA	DJ		C	Wire band (T18S)
3	VCKYPU1HB102K	AA	DD		C	Capacitor (50WV 0.001μF)
4	VHPGP1S53V/-1	AE	DS		B	Photo transistor (GP1S53V)
	(Unit)					
901	CPWBF1177FC63	AP	EQ	N	E	MHPS PWB

22 Tray sensor PWB

NO.	PARTS CODE	PRICE RANK		NEW MARK	PART RANK	DESCRIPTION
		Ex.	Ja.			
1	DHA i - 0092QSZZ	AF	DS	N	C	Tray empty sensor harness
2	LBNDJ0037FCZ1	AA	DJ		C	Wire band (T18S)
3	VCKYPU1HB102K	AA	DD		C	Capacitor (50WV 0.001μF)
4	VHPGP1S53V/-1	AE	DS		B	Photo transistor (GP1S53V)
	(Unit)					
901	CPWBF1177FC65	AP	EQ	N	E	Tray sensor PWB

23 Manual paper feeding sensor PWB

NO.	PARTS CODE	PRICE RANK		NEW MARK	PART RANK	DESCRIPTION
		Ex.	Ja.			
1	DHA i - 0093QSZZ	AF	DS	N	C	Hand empty sensor harness
2	LBNDJ0037FCZ1	AA	DJ		C	Wire band (T18S)
3	VCKYPU1HB102K	AA	DD		C	Capacitor (50WV 0.001μF)
4	VHPGP1S53V/-1	AE	DS		B	Photo transistor (GP1S53V)
	(Unit)					
901	CPWBF1177FC66	AP	EQ	N	E	Manual paper feeding sensor PWB

24 PS sensor PWB

NO.	PARTS CODE	PRICE RANK		NEW MARK	PART RANK	DESCRIPTION
		Ex.	Ja.			
1	DHA i - 0094QSZZ	AF	DS	N	C	Paper in sensor harness
2	LBNDJ0037FCZ1	AA	DJ		C	Wire band (T18S)
3	VCKYPU1HB102K	AA	DD		C	Capacitor (50WV 0.001μF)
4	VHPGP1S53V/-1	AE	DS		B	Photo transistor (GP1S53V)
	(Unit)					
901	CPWBF1177FC67	AP	EQ	N	E	PS sensor PWB

25 RCU PWB

NO.	PARTS CODE	PRICE RANK		NEW MARK	PART RANK	DESCRIPTION
		Ex.	Ja.			
1	DHA i - 0133QSZZ	AH	DX	N	C	RCS PWB harness
2	QCNCM0029QSZZ	AK	DX	N	C	Connector (MD-S5130)(5pin)
	(Unit)					
901	CPWBF0033QS51	AP	EQ	N	E	RCU PWB

26 Low voltage power supply unit

NO.	PARTS CODE	PRICE RANK		NEW MARK	PART RANK	DESCRIPTION
		Ex.	Ja.			
1	0KY0D113A003/	AX	FG	N	B	Diode (100V series) [D1]
	0KY0D119A006/	AW	FG	N	B	Diode (200V series) [D1]
2	0KY0D157A006/	AF	DS	N	B	Diode [D2,3]
3	0KY0D202B001/	AZ	FQ	N	B	Diode (100V series) [D116]
	0KY0D202B006/	AZ	FQ	N	B	Diode (200V series) [D116]
4	0KY0D206B003/	AY	FQ	N	B	Diode [D101]
5	0KY0D208B006/	AQ	EQ	N	B	Diode (100V series) [D51]
	0KY0D264A010/	AN	EQ	N	B	Diode (200V series) [D51]
6	0KY0D219B006/	AQ	EQ	N	B	Diode [D903]
7	0KY0D251A002/	AD	DJ	N	B	Diode [D4,104,105,108,111,118,120,904]
8	0KY0D264A006/	AL	EB	N	B	Diode [D107]
9	0KY0D265A002/	AK	DX	N	B	Diode [D8]
10	0KY0D466A024/	AE	DS	N	B	Diode [D119]
11	0KY0D466A048/	AE	DS	N	B	Diode [D117]
12	0KY0D466A096/	AE	DS	N	B	Diode [D7]
13	0KY0D466A105/	AU	EZ	N	B	Diode [D11,103]
14	0KY0D513A406/	AU	EZ	N	B	Triac (100V series) [TRA2]
	0KY0D513A606/	AU	EZ	N	B	Triac (200V series) [TRA2]
15	0KY0D517A416/	BC	GD	N	B	Triac (100V series) [TRA1]
	0KY0D517A616/	BC	GJ	N	B	Triac (200V series) [TRA1]
16	0KY0T502A001/	AY	FQ	N	B	Transistor [Q112]
17	0KY0T415A003/	AT	EZ	N	B	Transistor [Q902]
18	0KY0T421A001/	BA	FX	N	B	Transistor [Q901]
19	0KY0T643A001/	BB	GD	N	B	Transistor (100V series) [Q1]
	0KY0T617A001/	BA	FX	N	B	Transistor (200V series) [Q1]
20	0KY0T351A005/	AF	DS	N	B	Transistor [Q101,103,113,903,904]
21	0KY0H112A001/	AN	EQ	N	B	IC [IC902]
22	0KY0H128A001/	AZ	FQ	N	B	IC [IC1]
23	0KY0H130A012/	AT	EZ	N	B	IC [IC102]
24	0KY0H141A001/	AZ	FQ	N	B	IC [IC101]
25	0KY0H153A001/	AP	EQ	N	B	IC [IC103,901]
26	0KY0H719A001/	AN	EG	N	B	Photo coupler (100V series) [PC1,2,4]
	0KY0H723A001/	AP	EQ	N	B	Photo coupler (200V series) [PC1,2,4]
27	0KY0H725A001/	AV	FG	N	B	Photo coupler [PC10]
28	0KY0D719A471/	AM	EG	N	B	Varister (100V series) [Z1,2]
	0KY0D719A471/	AM	EG	N	B	Varister (200V series) [Z1]
29	0KY0K651A362/	AV	FG	N	B	Arrester (100V series) [AL1]
30	0KY0D802A101/	AS	EQ	N	B	Fuse resistor [PTC101]
31	0KY0R153U100/	AC	DJ	N	C	Resistor [R118,150,156]
32	0KY0R153U220/	AC	DJ	N	C	Resistor [R24]
33	0KY0R153U221/	AC	DJ	N	C	Resistor [R104]
34	0KY0R153U331/	AC	DJ	N	C	Resistor [R107,109]
35	0KY0R153U391/	AC	DJ	N	C	Resistor [R122]
36	0KY0R153U471/	AC	DJ	N	C	Resistor [R37]
37	0KY0R153U102/	AC	DJ	N	C	Resistor [R8,33,142,154]
38	0KY0R153U152/	AC	DJ	N	C	Resistor [R103]
39	0KY0R153U222/	AC	DJ	N	C	Resistor [R106,128,144,907]
40	0KY0R153U272/	AC	DJ	N	C	Resistor [R143]
41	0KY0R153U332/	AC	DJ	N	C	Resistor [R110,119]
42	0KY0R153U472/	AC	DJ	N	C	Resistor [R14,108]
43	0KY0R153U103/	AC	DJ	N	C	Resistor [R23,27,28,30,120,123,901]
44	0KY0R153U123/	AC	DJ	N	C	Resistor [R114]
45	0KY0R153U153/	AC	DJ	N	C	Resistor [R113,127]
46	0KY0R153U223/	AC	DJ	N	C	Resistor [R105]

26 Low voltage power supply unit

NO.	PARTS CODE	PRICE RANK		NEW MARK	PART RANK	DESCRIPTION	
		Ex.	Ja.				
47	0KY0R153U273/	AC	DJ	N	C	Resistor	[R117,153]
48	0KY0R153U473/	AC	DJ	N	C	Resistor	[R29,124]
49	0KY0R153U683/	AC	DJ	N	C	Resistor	[R111,126]
50	0KY0R153U104/	AC	DJ	N	C	Resistor	[R15]
51	0KY0R153U224/	AC	DJ	N	C	Resistor	[R141]
52	0KY0R153U105/	AC	DJ	N	C	Resistor	[R155]
53	0KY0R163B564/	AE	DJ	N	C	Resistor	[R6]
54	0KY0R353U100/	AD	DJ	N	C	Resistor	[R32]
55	0KY0R353U330/	AD	DJ	N	C	Resistor	[R902]
56	0KY0R353U181/	AD	DJ	N	C	Resistor	[R131]
57	0KY0R353U221/	AD	DJ	N	C	Resistor (100V series)	[R26,115]
	0KY0R353U241/	AD	DJ	N	C	Resistor (200V series)	[R26]
58	0KY0R353U271/	AD	DJ	N	C	Resistor (100V series)	[R34]
	0KY0R353U221/	AD	DJ	N	C	Resistor (200V series)	[R34,115]
59	0KY0R353U431/	AD	DJ	N	C	Resistor	[R904]
60	0KY0R353U821/	AD	DJ	N	C	Resistor	[R903]
61	0KY0R353U102/	AD	DJ	N	C	Resistor	[R909]
62	0KY0R353U122/	AD	DJ	N	C	Resistor	[R905]
63	0KY0R353U392/	AD	DJ	N	C	Resistor	[R121]
64	0KY0R353U153/	AD	DJ	N	C	Resistor	[R116]
65	0KY0R353U223/	AD	DJ	N	C	Resistor	[R35,36]
66	0KY0R362U100/	AG	DX	N	C	Resistor	[R40]
67	0KY0R451C220/	AE	DS	N	C	Resistor (100V series)	[R9,10]
	0KY0R452D100/	AF	DS	N	C	Resistor (200V series)	[R9,10]
68	0KY0R451C101/	AE	DS	N	C	Resistor	[R3]
69	0KY0R451C121/	AE	DS	N	C	Resistor	[R4]
70	0KY0R451C222/	AF	DS	N	C	Resistor	[R132]
71	0KY0R452D100/	AF	DS	N	C	Resistor	[R38]
72	0KY0R452D101/	AF	DS	N	C	Resistor	[R145,146]
73	0KY0R452D153/	AF	DS	N	C	Resistor (100V series)	[R11,12]
	0KY0R452D473/	AF	DS	N	C	Resistor (200V series)	[R11,12]
74	0KY0R452D273/	AF	DS	N	C	Resistor (100V series)	[R18,19]
	0KY0R452D683/	AF	DS	N	C	Resistor (200V series)	[R18,19]
75	0KY0R452D563/	AF	DS	N	C	Resistor (100V series)	[R13]
	0KY0R452D473/	AF	DS	N	C	Resistor (200V series)	[R13,16,22]
76	0KY0R516FR01/	AR	EQ	N	C	Resistor	[R908]
77	0KY0R516FR05/	AR	EQ	N	C	Resistor (100V series)	[R25,139,140]
	0KY0R516FR15/	AR	EQ	N	C	Resistor (200V series)	[R25]
	0KY0R516FR05/	AR	EQ	N	C	Resistor (200V series)	[R139,140]
78	0KY0R522F100/	AU	EZ	N	C	Resistor	[R7]
79	0KY0R854E102/	AG	DS	N	B	Variable resistor	[VR101,102]
80	0KY0C151E101/	AD	DJ	N	C	Capacitor	[C117]
81	0KY0C151M221/	AE	DS	N	C	Capacitor	[C110]
82	0KY0C171E331/	AD	DJ	N	C	Capacitor	[C19]
83	0KY0C1A9R221/	AG	DS	N	C	Capacitor (100V series)	[C10,104]
	0KY0C1A8S470/	AG	DS	N	C	Capacitor (200V series)	[C10]
	0KY0C1A9R221/	AG	DS	N	C	Capacitor (200V series)	[C104]
84	0KY0C1A9R331/	AG	DX	N	C	Capacitor	[C101]
85	0KY0C1A9R471/	AG	DX	N	C	Capacitor (100V series)	[C51]
86	0KY0C1H6Q222/	AH	DX	N	C	Capacitor (100V series)	[C12,13]
	0KY0C1H6Q472/	AK	EB	N	C	Capacitor (200V series)	[C12,C13,C61,C62]
87	0KY0C1H6Q472/	AK	EB	N	C	Capacitor (100V series)	[C2,3]
88	0KY0C245Q224/	AN	EG	N	C	Capacitor	[C4,7]
89	0KY0C251E102/	AE	DJ	N	C	Capacitor	[C23,109,121,905]
90	0KY0C251E472/	AE	DJ	N	C	Capacitor	[C17,902]
91	0KY0C251E103/	AE	DJ	N	C	Capacitor	[C15,24,107,108,118,123]
92	0KY0C251E223/	AE	DS	N	C	Capacitor	[C20]
93	0KY0C251E333/	AE	DS	N	C	Capacitor	[C16]
94	0KY0C251E473/	AF	DS	N	C	Capacitor	[C5]
95	0KY0C251E104/	AG	DS	N	C	Capacitor	[C105,111]
96	0KY0C2X0Q104/	AR	EQ	N	C	Capacitor	[C6]
97	0KY0C364E4R7/	AH	DX	N	C	Capacitor	[C18,115,116]
98	0KY0C374D820/	AH	DX	N	C	Capacitor	[C14]
99	0KY0C374D331/	AN	EG	N	C	Capacitor	[C112]
100	0KY0C375B471/	AN	EG	N	C	Capacitor	[C113,903]
101	0KY0C3L2A332/	AT	EZ	N	C	Capacitor	[C119,153]
102	0KY0C3L2B152/	AS	EQ	N	C	Capacitor	[C901]
103	0KY0C3L3L102/	BD	GJ	N	C	Capacitor (100V series)	[C8,22]
	0KY0C3J5M181/	BC	GD	N	C	Capacitor (200V series)	[C8,22]
104	0KY0C3L7D102/	AR	EQ	N	C	Capacitor	[C102,103,114]
105	0KY0L100C0022	BA	FX	N	C	Coil (100V series)	[L104]
	0KY0L100C002/	BC	GJ	N	C	Coil (200V series)	[L104]
106	0KY0L100E0112	BB	GD	N	C	Coil (100V series)	[L101]
	0KY0L100E011/	BD	GN	N	C	Coil (200V series)	[L101]
107	0KY0L107R202/	AZ	FX	N	C	Coil (100V series)	[L7,8]
	0KY0L115J602/	AX	FG	N	C	Coil (200V series)	[L7]
108	0KY0L200Q0362	BE	GN	N	B	Transformer (100V series)	[T1]
	0KY0L200Q036/	BF	GN	N	B	Transformer (200V series)	[T1]
109	0KY0L551A001/	AE	DS	N	B	Bead filter (100V series)	[BEA51,101,102,104]
	0KY0L551A001/	AE	DS	N	B	Bead filter (200V series)	[BEA101,102,104]

26 Low voltage power supply unit

NO.	PARTS CODE	PRICE RANK		NEW MARK	PART RANK	DESCRIPTION
		Ex.	Ja.			
110	0KY0L551A002/	AF	DS	N	B	Bead filter [BEA3]
111	0KY0L552A001/	AE	DS	N	B	Bead filter [BEA4]
112	0KY0K716A4R0/	AK	DX	N	A	Fuse (100V series) [F101,102]
	0KY0K717A4R0/	AK	DX	N	A	Fuse (200V series) [F101,102]
113	0KY0K716A5R0/	AK	DX	N	A	Fuse (100V series) [F3]
	0KY0K718A4R0/	AM	EG	N	A	Fuse (200V series) [F3]
114	0KY0K722A020/	AT	EZ	N	A	Fuse (AC250V 20A)(100V) [F1.2]
	0KY0K704A020/	AQ	EQ	N	A	Fuse (AC250V 20A)(120V) [F1]
	0KY0K723A010/	AR	EQ	N	A	Fuse (200V series) [F1.2]
115	0KY0K309A024/	AZ	FQ	N	B	Relay [RL1]
116	0KY0K202B003/	AG	DX	N	C	Connector [CN102]
117	0KY0K219B003/	AS	EZ	N	C	Connector [CN1]
118	0KY0K219B004/	AU	EZ	N	C	Connector [CN3]
119	0KY0K219B006/	AX	FG	N	C	Connector [CN2]
120	0KY0K235B002/	AN	EG	N	C	Connector [CN6]
121	0KY0K236B026/	AR	EQ	N	C	Connector [CN101]
122	0KY0K252P004/	AH	DX	N	C	Frame grand terminal [FG1,2,3]
123	0KY0L313R001/	AH	DX	N	C	Coil [L105,106]
124	0KY0K251A002/	AG	DX	N	C	Connector (200V series) [CN4]
125	0KY0L112R502/	BB	GD	N	C	Coil (200V series) [L1]
126	0KY0L114R101/	AX	FG	N	C	Coil (200V series) [L2,3,4]
	(Unit)					
901	RDEN-0002QSZZ	BX	TF	N	E	Low voltage power supply unit (100V)
	RDEN-0002QS11	BX	RR	N	E	Low voltage power supply unit (120V)
	RDEN-0002QS12	BY	TF	N	E	Low voltage power supply unit (200V series)

27 ERDH-Operation PWB

NO.	PARTS CODE	PRICE RANK		NEW MARK	PART RANK	DESCRIPTION
		Ex.	Ja.			
1	DHA i -0116QSZZ	AC	DJ	N	C	Panel ERDH harness
2	QCNCW0021QSZZ	AF	DS	N	C	Connector (52793-1590) [CN1]
3	QSW-P0008QSZZ	AC	DJ	N	B	Switch (EVQ-23G-04K) [K1-3,5,6,8,9]
4	VHPMPG3864K-J	AC	DJ		B	LED (Green) (MPG3864K-J) [D1-5,7,8,9,13,14,15]
	(Unit)					
901	CPWBF0025QS51	AZ	FQ	N	E	ERDH-operation PWB

28 Delivery interface PWB

NO.	PARTS CODE	PRICE RANK		NEW MARK	PART RANK	DESCRIPTION
		Ex.	Ja.			
1	DHA i -0117QSZZ	AF	DS	N	C	Tray unit harness
2	QCNCM2401SC0F	AB	DJ		C	Connector (6pin)(AR-161) [CN3]
3	QCNCM7014SC0C	AA	DD		C	Connector (3pin)(AR-161) [CN4]
4	QCNCM7014SC0F	AB	DD		C	Connector (6pin) [CN2]
5	QCNCW1124LC1F	AC	DJ		C	Connector (16pin) [CN1]
6	VCEAGU1VW476M	AB	DD		C	Capacitor (35WV 47μF) [C3]
7	VCKYPU1HB102K	AA	DD		C	Capacitor (50WV 0.001μF) [C1,2]
8	VH i STA401A/-1	AP	EQ		B	IC (STA401A)(AR-S160/AR-160) [IC2]
	VH i STA401A/-1	AP	EQ		B	IC (STA401A)(AR-161) [IC1,2]
9	VHPGP1S53V/-1	AE	DS		B	Photo transistor (GP1S53V) [ISO1,2]
10	VHV i CPN38//-1	AF	DS		B	IC protector (ICPN38)(AR-S160/AR-160) [F2]
	VHV i CPN38//-1	AF	DS		B	IC protector (ICPN38)(AR-161) [F1,2]
11	VRD-HT2EY151J	AA	DD		C	Resistor (1/4W 150Ω ±5%)(AR-S160/AR-160) [R1.2]
	VRD-HT2EY151J	AA	DD		C	Resistor (1/4W 150Ω ±5%)(AR-161) [R1,2,3]
12	VRD-HT2EY222J	AA	DD		C	Resistor (1/4W 2.2KΩ ±5%)(AR-S160/AR-160) [R8-11]
	VRD-HT2EY222J	AA	DD		C	Resistor (1/4W 2.2KΩ ±5%)(AR-161) [R4-11]
	(Unit)					
901	CPWBF0018QS51	AY	FQ	N	E	Delivery interface PWB (AR-S160/AR-160)
	CPWBF0018QS52	AY	FQ	N	E	Delivery interface PWB (AR-161)

■ Index

PARTS CODE	JAPAN ONLY ORDER CODE	NO.	PRICE R.		NEW	P/R
			Ex.	Ja.		
[C]						
CARMP0010QS01	572 240 0343	1- 12	AD	DJ	N	C
CARMP0011QS01	572 240 0344	1- 13	AD	DJ	N	C
CBOX-0002YS52	572 307 0411	8- 1	BE	GN	N	E
CBOX-0002YS54	572 307 0412	8- 1	BF	GN	N	E
CBOX-0003YS52	572 307 0414	8- 4	AZ	FQ	N	E
CBTN-0016QS01	572 170 0453	2- 12	AN	EG	N	C
CBTN-0019QS01	572 170 0451	2- 10	AG	DX	N	C
CBTN-0021QS01	572 170 0454	2- 9	AF	DS	N	C
CBTN-0022QS01	572 170 0455	2- 8	AF	DS	N	C
CCAB-0012QS01	572 107 1803	1- 10	BE	GN	N	D
CCAB-0012QS02	572 107 1806	1- 10	BC	GJ	N	D
CCAB-0012QS03	572 107 1807	1- 10	BE	GN	N	D
CCAB-0012QS05	572 107 1809	1- 10	BC	GJ	N	D
CCAB-0012QS06	572 107 1810	1- 10	BE	GN	N	D
CCASP0003QS51	572 108 1270	16-901	BG	GX	N	E
CCL EZ0005QS51	572 704 0073	17- 12	AQ	EQ	N	E
CCOVH0010QS51	572 110 1105	1-501	BM	HV	N	E
CCOVP0003YS52	572 110 1106	8- 32	AS	EQ	N	E
CDAiU0012QS01	572 210 1102	4- 48	BL	HL	N	C
CFiX-0008QS01	572 211 0688	1- 7	AR	EQ	N	C
CFiX-0008QS02	572 211 0689	1- 7	AQ	EQ	N	C
CFiX-0008QS03	572 211 0696	1- 7	AR	EQ	N	C
CFiX-0008QS51	572 211 0698	1-502	BF	GN	N	E
CFiX-0008QS52	572 211 0699	1-502	BF	GN	N	E
CFiX-0008QS53	572 211 0700	1-502	BC	GJ	N	E
CFRM-0017QS01	572 213 1886	9- 10	AH	DX	N	C
CFRM-0018QS01	572 213 1887	9- 12	AH	DX	N	C
CFRM-0020QS51	572 213 1927	13-501	BK	HG	N	E
CFRM-0020QS52	572 213 1928	13-501	BL	HR	N	E
CFRM-0021QS01	572 213 1901	7- 8	AQ	EQ	N	C
CGERH0011QS51	572 281 1780	10-501	AE	DS	N	E
CHAi-0107QS51	572 427 1636	6- 11	AK	DX	N	E
CHAi-0109QS51	572 427 1637	6- 10	AM	EG	N	E
CHLDZ0030QS51	572 214 1920	3- 18	BA	FX	N	E
"	572 214 1920	15-901	BA	FX	N	E
CHLDZ0035QS51	572 214 1921	7- 2	BH	GX	N	E
CHNG-0007QS01	572 246 0383	1- 3	AM	EG	N	C
CLNS-0003QS51	572 372 0085	4- 8	BV	NU	N	E
CMiR-0008QS31	572 374 0202	4- 2	BB	GD	N	E
"	572 374 0202	5-901	BB	GD	N	E
CPAKA0084QS01	572 902 1452	17- 15	BA	FX	N	D
CPLTM0026QS01	572 221 6939	4- 17	AH	DX	N	C
CPLTM0028QS01	572 221 6940	5- 13	AH	DX	N	C
CPLTM0029QS01	572 221 6941	5- 9	AH	DX	N	C
CPLTM0047QS01	572 221 7033	10- 18	BA	FX	N	C
CPLTM0055QS01	572 221 7034	13- 25	AF	DS	N	C
CPLTM0071QS01	572 221 7035	12- 30	AL	EB	N	C
CPLTM0075QS01	572 221 7036	14- 58	AL	EB	N	C
CPLTM0084QS01	572 221 7037	4- 32	AL	EB	N	C
CPLTP0060QS51	572 221 7107	9-501	AV	FG	N	E
CPWBF0018QS51	572 684 3297	14- 3	AY	FQ	N	E
"	572 684 3297	28-901	AY	FQ	N	E
CPWBF0018QS52	572 684 3343	14- 3	AY	FQ	N	E
"	572 684 3343	28-901	AY	FQ	N	E
CPWBF0023QS51	572 684 3298	11- 9	BA	FX	N	E
"	572 684 3298	29-901	BA	FX	N	E
CPWBF0025QS51	572 684 3299	2- 17	AZ	FQ	N	E
"	572 684 3299	27-901	AZ	FQ	N	E
CPWBF0033QS51	572 684 3302	12- 43	AP	EQ	N	E
"	572 684 3302	25-901	AP	EQ	N	E
CPWBF1177FC63	572 684 3303	4- 22	AP	EQ	N	E
"	572 684 3303	21-901	AP	EQ	N	E
CPWBF1177FC64	572 684 3304	14- 29	AP	EQ	N	E
"	572 684 3304	20-901	AP	EQ	N	E
CPWBF1177FC65	572 684 3305	11- 34	AP	EQ	N	E
"	572 684 3305	22-901	AP	EQ	N	E
CPWBF1177FC66	572 684 3306	11- 24	AP	EQ	N	E
"	572 684 3306	23-901	AP	EQ	N	E
CPWBF1177FC67	572 684 3307	11- 40	AP	EQ	N	E
"	572 684 3307	24-901	AP	EQ	N	E
CPWBF1177FC68	572 684 3308	14- 61	AP	EQ	N	E
"	572 684 3308	30-901	AP	EQ	N	E
CPWBN0024QS51	572 684 3309	2- 19	BR	LP	N	E
"	572 684 3309	19-901	BR	LP	N	E
CPWBN0024QS52	572 684 3310	2- 19	BQ	LP	N	E
"	572 684 3310	19-901	BQ	LP	N	E
CPWBX0021QS51	572 684 3316	12- 37	CD	UD	N	E
"	572 684 3316	18-901	CD	UD	N	E

PARTS CODE	JAPAN ONLY ORDER CODE	NO.	PRICE R.		NEW	P/R
			Ex.	Ja.		
CPWBX0021QS53	572 684 3318	12- 37	CD	UD	N	E
"	572 684 3318	18-901	CD	UD	N	E
CPWBX0021QS54	572 684 3319	12- 37	CD	UD	N	E
"	572 684 3319	18-901	CD	UD	N	E
CR-WZ00003QS01	572 580 1147	4- 13	AZ	FQ	N	B
CREFL0004QS31	572 432 0071	4- 3	BQ	LP	N	B
CROLP0039QS01	572 287 1888	11- 20	AW	FG	N	C
CROLP1115FC01	572 287 1471	13- 17	AN	EG	N	C
CSFTZ0023QS01	572 290 2465	14- 51	AH	DX	N	C
CSLi-0103FC31	572 256 0015	5- 7	AF	DS	N	E
CSOU-0009QS51	572 226 0599	13-502	BC	GJ	N	E
CSOU-0009QS52	572 226 0600	13-502	BD	GJ	N	E
CSW-M0007QS51	572 530 0680	6- 2	AQ	EQ	N	E
CTHM-0018FC01	572 644 0014	9- 2	AR	EQ	N	B
[D]						
DHAi-0065QSZZ	572 542 1431	9- 3	AF	DS	N	C
DHAi-0089QSZZ	572 542 1432	10- 4	AH	DX	N	C
DHAi-0090QSZZ	572 542 1433	6- 45	AF	DS	N	C
DHAi-0091QSZZ	572 542 1434	11- 2	AF	DS	N	C
DHAi-0092QSZZ	572 542 1435	22- 1	AF	DS	N	C
DHAi-0093QSZZ	572 542 1436	23- 1	AF	DS	N	C
DHAi-0094QSZZ	572 542 1437	24- 1	AF	DS	N	C
DHAi-0096QSZZ	572 542 1438	21- 1	AF	DS	N	C
DHAi-0097QSZZ	572 542 1439	30- 1	AE	DJ	N	C
DHAi-0100QSZZ	572 542 1441	20- 1	AG	DX	N	C
DHAi-0101QSZZ	572 542 1442	12- 44	AK	DX	N	C
DHAi-0105QSZZ	572 542 1444	12- 45	AW	FG	N	C
DHAi-0106QSZZ	572 542 1445	6- 24	AL	EB	N	C
DHAi-0108QSZZ	572 542 1447	6- 25	AK	DX	N	C
DHAi-0110QSZZ	572 542 1449	10- 3	AP	EQ	N	C
DHAi-0112QSZZ	572 542 1450	6- 8	AP	EQ	N	C
DHAi-0114QSZZ	572 542 1452	10- 5	AC	DJ	N	C
DHAi-0115QSZZ	572 542 1453	2- 21	AF	DS	N	C
DHAi-0116QSZZ	572 542 1454	2- 20	AC	DJ	N	C
"	572 542 1454	27- 1	AC	DJ	N	C
DHAi-0117QSZZ	572 542 1455	28- 1	AF	DS	N	C
DHAi-0120QSZZ	572 542 1456	4- 9	AG	DS	N	C
DHAi-0125QSZZ	572 542 1473	29- 1	AE	DS	N	C
DHAi-0133QSZZ	572 542 1462	25- 1	AH	DX	N	C
DHAi-0136QSZZ	572 542 1474	12- 18	AY	FQ	N	B
DHAi-0137QSZZ	572 542 1475	12- 18	AW	FG	N	B
DHAi-0139QSZZ	572 542 1490	12- 19	AG	DX	N	B
DHAi-0140QSZZ	572 542 1491	12- 50	AP	EQ	N	C
DHAi-0142QSZZ	572 542 1483	12- 18	AX	FG	N	B
DHAi-0143QSZZ	572 542 1484	12- 18	BA	FX	N	B
DHAi-0144QSZZ	572 542 1485	12- 18	AZ	FQ	N	B
DUNTK0041QS11	572 685 1815	6- 7	CC	TZ	N	E
DUNTK0041QSZZ	572 685 1814	6- 7	AU	EZ	N	E
DUNTK0049QSZZ	572 685 1816	12- 9	AU	EZ	N	E
DUNTK0050QS11	572 685 1818	12-501	CD	UB	N	E
DUNTK0050QS12	572 685 1819	12-501	CC	UB	N	E
DUNTK0050QSZZ	572 685 1817	12-501	BF	GN	N	E
DUNTK0088QSZZ	572 685 1822	12- 51	AU	EZ	N	E
DUNTW0037QS11	572 685 1824	9-901	BW	RR	N	E
DUNTW0037QS12	572 685 1825	9-901	BW	RR	N	E
DUNTW0037QSZZ	572 685 1823	9-901	BX	TF	N	E
DWiR-0466CSZZ	572 427 1070	15- 7	BG	HC	N	B
[G]						
GCAB-0013QSZA	572 107 1791	1- 18	BE	GN	N	D
GCAB-0013QSZZ	572 107 1763	1- 18	BC	GD	N	D
GCAB-0014QSZA	572 107 1792	1- 15	BA	FX	N	D
GCAB-0014QSZZ	572 107 1764	1- 15	AY	FQ	N	D
GCAB-0015QSZA	572 107 1793	1- 23	AX	FQ	N	D
GCAB-0015QSZZ	572 107 1765	1- 23	AV	FG	N	D
GCAB-0017QSZA	572 107 1789	2- 5	AW	FG	N	D
GCAB-0017QSZZ	572 107 1779	2- 5	AV	FG	N	D
GCASP0003QSZZ	572 108 1267	16- 18	AZ	FQ	N	D
GCOVH0010QSZZ	572 110 1079	1- 1	BE	GN	N	D
GCOVH0011QSZA	572 110 1104	1- 22	AQ	EQ	N	D
GCOVH0011QSZZ	572 110 1080	1- 22	AP	EQ	N	D
GCOVH0012QSZA	572 110 1101	12- 2	AT	EZ	N	C
GCOVH0012QSZZ	572 110 1094	12- 2	AS	EQ	N	C
GCOVH0014QSZA	572 110 1102	12- 1	AS	EQ	N	C
GCOVH0014QSZZ	572 110 1096	12- 1	AR	EQ	N	C
GCOVH0015QSZZ	572 110 1097	2- 1	AG	DX	N	D
GCOVH0016QSZZ	572 110 1098	2- 2	AH	DX	N	D
GCOVH0018QSZA	572 110 1103	14- 2	AR	EQ	N	C
GCOVH0018QSZZ	572 110 1099	14- 2	AQ	EQ	N	C
GCOVZ0023QSZZ	572 110 1107	17-102	BA	FX	N	D
GDAi-0002QSZZ	572 112 0146	11- 12				

PARTS CODE	JAPAN ONLY ORDER CODE	NO.	PRICE R.		NEW	P/R
			Ex.	Ja.		
GDOR-0001QSZA	572 113 0044	3- 1	AW	FG	N	D
GDOR-0001QSZZ	572 113 0043	3- 1	AW	FG	N	D
GFTA-0001QSZA	572 117 0096	1- 11	AX	FG	N	D
GFTA-0001QSZZ	572 117 0097	1- 11	AW	FG	N	D
GFTA-0002QSZZ	572 117 0098	1- 6	AD	DJ	N	D
GFTA-0005QSZZ	572 117 0094	11- 21	AC	DJ	N	C
GFTA-0007QSZZ	572 117 0095	11- 31	AE	DS	N	C
GLEGG0064FCZZ	572 123 0072	11- 41	AC	DJ	N	C
[H]						
HPNLH0004QSZ1	572 158 0605	2- 3	AV	FG	N	D
HPNLH0004QSZ2	572 158 0610	2- 3	AV	FG	N	D
HPNLH0004QSZ3	572 158 0611	2- 3	AV	FG	N	D
HPNLH0004QSZ4	572 158 0612	2- 3	AV	FG	N	D
HPNLH0004QSZ5	572 158 0613	2- 3	AV	FG	N	D
HPNLH0004QSZZ	572 158 0600	2- 3	AV	FG	N	D
HPNLH0006QSZ1	572 158 0606	2- 4	AM	EG	N	D
HPNLH0006QSZ2	572 158 0614	2- 4	AM	EG	N	D
HPNLH0006QSZZ	572 158 0601	2- 4	AM	EG	N	D
[J]						
JBTN-0018QSZZ	572 170 0446	2- 6	AE	DJ	N	C
JBTN-0020QSZZ	572 170 0448	2- 11	AC	DJ	N	C
JBTN-0023QSZZ	572 170 0452	2- 16	AG	DX	N	C
JBTN-0026QSZZ	572 170 0459	2- 13	AE	DJ	N	C
JBTN-0027QSZZ	572 170 0460	2- 15	AD	DJ	N	C
JBTN-0029QSZZ	572 170 0449	2- 7	AE	DS	N	C
JBTN-0030QSZZ	572 170 0461	2- 14	AD	DJ	N	C
JKNBZ0003QSZZ	572 174 0327	6- 41	AD	DJ	N	C
[L]						
LBNDJ0013FCZ1	572 201 0118	4- 15	AA	DJ	N	C
"	572 201 0118	4- 24	AA	DJ	N	C
LBNDJ0037FCZ1	572 201 0119	20- 2	AA	DJ	N	C
"	572 201 0119	21- 2	AA	DJ	N	C
"	572 201 0119	22- 2	AA	DJ	N	C
"	572 201 0119	23- 2	AA	DJ	N	C
"	572 201 0119	24- 2	AA	DJ	N	C
"	572 201 0119	30- 2	AA	DJ	N	C
LBNDJ2004SCZZ	541 201 1003	12- 20	AA	DD	N	C
LBOSZ0048QSZZ	572 202 0415	14- 18	AD	DJ	N	C
LBOSZ1031FCZZ	572 202 0270	11- 14	AC	DJ	N	C
LBOSZ1508FCZZ	572 202 0378	6- 33	AG	DX	N	C
"	572 202 0378	13- 9	AG	DX	N	C
LBOSZ1510FCZZ	572 202 0373	13- 5	AF	DX	N	C
LBSHZ0001QSZZ	572 204 0409	9- 8	AK	DX	N	C
LBSHZ0303FCZZ	572 204 0302	13- 10	AC	DJ	N	C
LDAiU0011QSZZ	572 210 1110	11- 33	AF	DS	N	C
LFiX-0005QSZZ	572 211 0677	4- 10	AC	DJ	N	C
LFiX-0007QSZ1	572 211 0693	7- 31	AE	DJ	N	C
LFiX-0007QSZZ	572 211 0692	7- 31	AE	DJ	N	C
LFiX-0284FCZZ	572 211 0176	5- 11	AC	DD	N	C
LFRM-0016QSZZ	572 213 1916	3- 10	AT	EZ	N	C
LFRM-0019QSZZ	572 213 1917	9- 40	AT	EZ	N	C
LFRM-0020QSZA	572 213 1922	13- 33	AV	FG	N	C
LFRM-0020QSZZ	572 213 1918	13- 33	AV	FG	N	C
LFRM-0022QSZZ	572 213 1890	12- 14	AP	EQ	N	C
LFRM-0023QSZZ	572 213 1891	12- 16	AQ	EQ	N	C
LFRM-0024QSZZ	572 213 1908	6- 46	BC	GD	N	C
LFRM-0025QSZZ	572 213 1892	12- 23	AM	EG	N	C
LFRM-0026QSZZ	572 213 1893	12- 25	AS	EZ	N	C
LFRM-0027QSZZ	572 213 1919	14- 39	AV	FG	N	C
LFRM-0032QSZZ	572 213 1894	12- 21	AN	EG	N	C
LHLDW0049QSZZ	572 214 1923	12- 42	AC	DJ	N	C
LHLDW1009ACZZ	541 214 5023	4- 14	AA	DD	N	C
LHLDW1226FCZZ	572 214 1450	16- 3	AB	DJ	N	C
"	572 214 1450	17- 10	AB	DJ	N	C
LHLDZ0001YSZZ	572 214 1908	8- 28	AD	DJ	N	C
LHLDZ0002YSZZ	572 214 1909	8- 26	AC	DJ	N	C
LHLDZ0013QSZZ	572 214 1869	5- 5	AD	DJ	N	C
LHLDZ0017QSZZ	572 214 1880	11- 29	AD	DJ	N	C
LHLDZ0030QSZZ	572 214 1910	15- 6	AD	DJ	N	C
LHLDZ0031QSZZ	572 214 1914	15- 13	AK	EB	N	C
LHLDZ0032QSZZ	572 214 1906	15- 10	AD	DJ	N	C
LHLDZ0033QSZZ	572 214 1911	3- 15	AF	DS	N	C
LHLDZ0034QSZZ	572 214 1897	9- 14	AF	DS	N	C
LHLDZ0038QSZZ	572 214 1917	6- 15	AH	DX	N	C
LHLDZ0039QSZZ	572 214 1912	6- 21	AE	DJ	N	C
LHLDZ0040QSZZ	572 214 1913	14- 16	AS	EQ	N	C
LHLDZ0043QSZZ	572 214 1898	4- 25	AE	DJ	N	C
LHLDZ0044QSZZ	572 214 1899	5- 1	AP	EQ	N	C
LHLDZ0045QSZZ	572 214 1907	7- 12	AD	DJ	N	C
LHLDZ1239FCZZ	572 214 1461	4- 4	AE	DS	N	C
LPiNS0258FCZZ	572 218 0329	14- 32	AA	DD	N	C

PARTS CODE	JAPAN ONLY ORDER CODE	NO.	PRICE R.		NEW	P/R
			Ex.	Ja.		
LPiNS0301FCZZ	572 218 0426	6- 47	AD	DJ	N	C
LPLTM0001YSZZ	572 221 7078	8- 22	AN	EG	N	C
LPLTM0002YSZZ	572 221 7079	8- 21	AS	EQ	N	C
LPLTM0048QSZZ	572 221 7039	10- 11	AF	DS	N	C
LPLTM0050QSZZ	572 221 7040	9- 17	AM	EG	N	C
LPLTM0053QSZZ	572 221 7020	16- 1	AS	EQ	N	C
LPLTM0059QSZZ	572 221 7044	15- 4	AC	DJ	N	C
LPLTM0063QSZZ	572 221 7047	12- 38	AU	EZ	N	C
LPLTM0064QSZZ	572 221 7069	12- 40	AR	EQ	N	C
LPLTM0065QSZZ	572 221 7048	11- 6	AL	EB	N	C
LPLTM0066QSZZ	572 221 7049	11- 10	AF	DS	N	C
LPLTM0067QSZZ	572 221 7050	6- 22	AC	DJ	N	C
LPLTM0068QSZZ	572 221 7051	3- 12	AE	DJ	N	C
LPLTM0070QSZZ	572 221 7070	6- 43	AD	DJ	N	C
LPLTM0082QSZZ	572 221 7098	12- 12	AR	EQ	N	C
LPLTM0090QSZZ	572 221 7057	3- 8	AE	DS	N	C
LPLTM0091QSZZ	572 221 7058	3- 6	AE	DS	N	C
LPLTM0092QSZZ	572 221 7059	3- 4	AF	DS	N	C
LPLTM0099QSZZ	572 221 7060	12- 24	AK	DX	N	C
LPLTM0100QSZZ	572 221 7061	14- 14	AE	DJ	N	C
LPLTM0101QSZZ	572 221 7062	7- 11	AC	DJ	N	C
LPLTM2642FCZZ	572 221 2537	16- 4	AC	DJ	N	C
LPLTP0051QSZZ	572 221 7093	9- 23	AD	DJ	N	C
LPLTP0056QSZZ	572 221 7072	13- 3	AE	DJ	N	C
LPLTP0060QSZZ	572 221 7094	9- 41	AK	DX	N	C
LPLTZ0049QSZZ	572 221 7063	15- 15	AG	DS	N	C
LRALM0006QSZZ	572 223 0232	4- 47	AG	DS	N	C
LRALM0007QSZZ	572 223 0233	4- 27	AG	DX	N	C
LRALP0004QSZZ	572 223 0235	3- 2	AL	EB	N	C
LRALP0005QSZA	572 223 0237	11- 27	AQ	EQ	N	C
LRALP0005QSZZ	572 223 0234	11- 27	AN	EQ	N	C
LSOU-0009QSZZ	572 226 0581	13- 45	AV	FG	N	D
LSOU-0010QSZZ	572 226 0582	13- 48	AU	FG	N	D
LSOU-0011QSZZ	572 226 0583	13- 47	AL	EB	N	D
LSOU-0013QSZA	572 226 0592	12- 3	BB	GD	N	D
LSOU-0013QSZZ	572 226 0593	12- 3	BB	FX	N	D
LSTPP0003QSZZ	572 230 0496	14- 54	AE	DJ	N	C
LSTPP0005QSZZ	572 230 0495	6- 20	AC	DJ	N	C
LSTPP0116FCZZ	572 230 0157	9- 7	AA	DD	N	C
LSTPP0161FCZZ	572 230 0062	16- 17	AB	DD	N	C
LX-BZ0004QSZZ	572 970 1917	4- 26	AB	DD	N	C
LX-BZ0013QSZ1	572 970 1962	9- 30	AC	DD	N	C
LX-BZ0015QSZZ	572 970 1957	17- 9	AF	DS	N	C
LX-BZ0049FCZZ	572 970 0353	4- 42	AB	DD	N	C
LX-BZ0324FCZZ	572 970 0197	4- 41	AA	DD	N	C
LX-BZ0335FCZZ	572 970 0245	5- 8	AA	DD	N	C
LX-RZ0001QSZZ	572 990 0487	7- 14	AB	DD	N	C
LX-WZ0002QSZZ	572 990 0486	10- 13	AB	DD	N	C
LX-WZ0119FCZZ	572 990 0002	4- 35	AA	DD	N	C
LX-WZ0313FCZZ	572 990 0227	9- 48	AA	DD	N	C
LX-WZ0314FCZZ	572 990 0230	10- 37	AA	DD	N	C
LX-WZ0329FCZZ	572 990 0410	7- 13	AB	DD	N	C
[M]						
MARMP0005QSZZ	572 240 0348	13- 51	AE	DJ	N	C
MARMP0006QSZZ	572 240 0354	13- 20	AD	DJ	N	C
MARMP0007QSZZ	572 240 0349	13- 19	AE	DJ	N	C
MARMP0008QSZZ	572 240 0350	13- 2	AH	DX	N	C
MARMP0009QSZZ	572 240 0351	13- 16	AF	DS	N	C
MCAMP0001QSZZ	572 241 0122	13- 22	AF	DS	N	C
MCAMP0002QSZZ	572 241 0121	14- 25	AE	DJ	N	C
MLEVP0017QSZZ	572 248 1154	9- 36	AF	DS	N	C
MLEVP0018QSZZ	572 248 1155	9- 33	AF	DS	N	C
MLEVP0019QSZZ	572 248 1139	9- 34	AD	DJ	N	C
MLEVP0020QSZZ	572 248 1140	9- 35	AD	DJ	N	C
MLEVP0021QSZZ	572 248 1137	11- 39	AD	DJ	N	C
MLEVP0022QSZZ	572 248 1150	11- 5	AE	DJ	N	C
MLEVP0023QSZZ	572 248 1141	11- 25	AE	DS	N	C
MLEVP0024QSZZ	572 248 1142	11- 32	AF	DS	N	C
MLEVP0025QSZZ	572 248 1151	14- 28	AD	DJ	N	C
MLEVP0026QSZZ	572 248 1156	9- 42	AG	DX	N	C
MLEVP0027QSZZ	572 248 1143	14- 26	AF	DS	N	C
MLEVP0028QSZZ	572 248 1144	14- 19	AF	DS	N	C
MLEVP0029QSZZ	572 248 1145	14- 27	AF	DS	N	C
MLEVP0044QSZZ	572 248 1160	11- 42	AE	DS	N	C
MLEVP0045QSZZ	572 248 1161	14- 48	AD	DJ	N	C
MSPRC0024QSZZ	572 258 3129	6- 4	AA	DJ	N	C
MSPRC0040QSZZ	572 258 3140	4- 28	AB	DJ	N	C
MSPRC0045QSZZ	572 258 3142	7- 26	AA	DJ	N	C
MSPRC0081QSZZ	572 258 3238	10- 34	AB	DJ	N	C
MSPRC0082QSZZ	572 258 3239	3- 16	AC	DJ	N	C
MSPRC0083QSZZ	572 258 3240	3- 14	AD	DJ	N	C

PARTS CODE	JAPAN ONLY ORDER CODE	NO.	PRICE R.		NEW	P/R
			Ex.	Ja.		
MSPRC0084QSZZ	572 258 3241	3- 13	AD	DJ	N	C
MSPRC0085QSZZ	572 258 3242	3- 9	AE	DJ	N	C
MSPRC0090QSZZ	572 258 3243	16- 11	AD	DJ	N	C
MSPRC0099QSZZ	572 258 3244	11- 38	AC	DJ	N	C
MSPRC0101QSZZ	572 258 3245	11- 30	AB	DJ	N	C
MSPRC0105QSZZ	572 258 3246	6- 26	AB	DJ	N	C
MSPRC0106QSZZ	572 258 3247	6- 35	AF	DS	N	C
MSPRC01145FCZZ	572 258 1272	16- 16	AA	DD		C
MSPRC01152FCZZ	572 258 1329	11- 15	AE	DJ		C
MSPRC01315FCZ1	572 258 2131	13- 7	AD	DJ		C
MSPRC01316FCZ1	572 258 2132	13- 23	AE	DS		C
MSPRC01318FCZ1	572 258 2134	10- 9	AA	DJ		C
"	572 258 2134	13- 29	AA	DJ		C
MSPRC1873FCZ1	572 258 2216	16- 15	AB	DJ		C
MSPRC2132FCZ1	572 258 2195	10- 23	AA	DJ		C
MSPRC2175FCZZ	572 258 2170	13- 32	AA	DJ		C
MSPRD0092QSZZ	572 258 3287	13- 26	AE	DJ	N	C
MSPRD0102QSZZ	572 258 3250	6- 14	AC	DJ	N	C
MSPRD0103QSZZ	572 258 3251	6- 13	AC	DJ	N	C
MSPRD0104QSZZ	572 258 3252	6- 12	AC	DJ	N	C
MSPRD0117QSZZ	572 258 3253	9- 43	AB	DJ	N	C
MSPRD0118QSZZ	572 258 3254	9- 44	AB	DJ	N	C
MSPRD0139QSZZ	572 258 3262	6- 30	AB	DJ	N	C
MSPRD0143QSZZ	572 258 3264	14- 30	AF	DS	N	C
MSPRD0144QSZZ	572 258 3265	14- 52	AC	DJ	N	C
MSPRK0001YSZZ	572 258 3266	8- 27	AB	DJ	N	C
MSPRP0087QSZZ	572 258 3267	9- 31	AC	DJ	N	C
MSPRT0086QSZZ	572 258 3274	9- 18	AB	DJ	N	C
MSPRT0089QSZZ	572 258 3275	9- 32	AC	DJ	N	C
MSPRT0091QSZZ	572 258 3276	13- 12	AC	DJ	N	C
MSPRT0100QSZZ	572 258 3277	11- 4	AB	DJ	N	C
MSPRT0107QSZZ	572 258 3278	14- 55	AC	DJ	N	C
MSPRT0147QSZZ	572 258 3301	13- 36	AC	DJ	N	C
MSPRT0229GCAZ	578 258 0416	14- 7	AC	DJ		C
MSPRT0513FCZ1	572 258 2240	15- 8	AA	DJ		C
[N]						
NBLTT0002QSZZ	572 271 0583	4- 37	AH	DX		B
NBLTT0007QSZZ	572 271 0603	12- 36	AH	DX	N	B
NBRGC0008YSZZ	572 272 0675	8- 12	AH	DX	N	C
NBRGC0047FCZZ	572 272 0065	6- 38	AD	DJ		C
NBRGC0133FCZ1	572 272 0470	4- 46	AC	DJ		C
NBRGC0387FCZ1	572 272 0471	4- 39	AC	DJ		C
"	572 272 0471	8- 18	AC	DJ		C
NBRGC0529FCZZ	572 272 0498	12- 31	AD	DJ		C
"	572 272 0498	14- 13	AD	DJ		C
"	572 272 0498	14- 23	AD	DJ		C
NBRGM0008QSZZ	572 272 0676	14- 33	AE	DJ	N	C
NBRGP0007QSZZ	572 272 0677	11- 19	AD	DJ	N	C
NBRGP0260FCZ1	572 272 0433	9- 28	AD	DS		C
NBRGP0299FCZZ	572 272 0013	7- 18	AC	DJ		C
NBRGY2122SCZZ	595 272 0047	14- 15	AB	DD		B
"	595 272 0047	14- 37	AB	DD		B
NCPL-0002QSZZ	572 274 0043	6- 3	AC	DJ		C
NCPL-0003QSZZ	572 274 0044	7- 9	AC	DJ		C
NCPL-0004FCZZ	572 274 0003	10- 24	AB	DD		C
NFANP0002QSZZ	572 277 0083	14- 43	AY	FQ	N	B
NFANP0003QSZZ	572 277 0084	12- 6	AY	FQ	N	B
NGERH0001YSZZ	572 281 1818	8- 15	AD	DJ	N	C
NGERH0002YSZZ	572 281 1819	8- 13	AD	DJ	N	C
NGERH0007QSZZ	572 281 1748	10- 26	AH	DX		C
NGERH0008QSZ1	572 281 1749	10- 28	AL	EB		C
NGERH0009QSZZ	572 281 1750	10- 20	AD	DJ		C
NGERH0010QSZZ	572 281 1751	10- 19	AD	DJ		C
NGERH0011QSZZ	572 281 1752	10- 22	AD	DJ		C
NGERH0012QSZZ	572 281 1753	10- 30	AE	DS		C
NGERH0013QSZZ	572 281 1754	10- 32	AG	DX		C
NGERH0014QSZZ	572 281 1755	10- 21	AD	DJ		C
NGERH0016QSZZ	572 281 1757	10- 33	AD	DJ		C
NGERH0027QSZZ	572 281 1766	4- 34	AH	DX		C
NGERH0028QSZZ	572 281 1767	8- 17	AD	DJ		C
NGERH0034QSZ1	572 281 1832	7- 34	AC	DJ	N	C
NGERH0035QSZ1	572 281 1833	7- 33	AC	DJ	N	C
NGERH0036QSZZ	572 281 1773	7- 28	AC	DJ		C
NGERH0037QSZZ	572 281 1774	7- 30	AC	DJ		C
NGERH0038QSZZ	572 281 1775	7- 29	AC	DJ		C
NGERH0039QSZZ	572 281 1776	7- 25	AE	DS		C
NGERH0052QSZZ	572 281 1823	10- 25	AE	DJ	N	C
NGERH0053QSZZ	572 281 1824	10- 14	AD	DJ	N	C
NGERH0054QSZZ	572 281 1825	10- 38	AD	DJ	N	C
NGERH0055QSZZ	572 281 1826	10- 35	AE	DJ	N	C
NGERH0056QSZZ	572 281 1827	10- 36	AE	DJ	N	C

PARTS CODE	JAPAN ONLY ORDER CODE	NO.	PRICE R.		NEW	P/R
			Ex.	Ja.		
NGERH0057QSZZ	572 281 1828	10- 27	AE	DJ	N	C
NGERH0058QSZZ	572 281 1829	10- 31	AF	DS	N	C
NGERH0059QSZZ	572 281 1830	10- 29	AD	DJ	N	C
NGERH0060QSZZ	572 281 1809	11- 17	AH	DX	N	C
NGERH0061QSZZ	572 281 1810	13- 15	AD	DJ	N	C
NGERH0062QSZZ	572 281 1831	6- 37	AK	DX	N	C
NGERH0063QSZZ	572 281 1811	14- 31	AD	DJ	N	C
NGERH0067QSZZ	572 281 1812	14- 56	AD	DJ	N	C
NGERH0068QSZZ	572 281 1813	14- 57	AD	DJ	N	C
NGERH0070QSZZ	572 281 1814	14- 35	AC	DJ	N	C
NGERH0071QSZZ	572 281 1815	12- 34	AF	DS	N	C
NGERH0076QSZZ	572 281 1816	14- 21	AD	DJ	N	C
NGERH0193FCZZ	572 281 0318	13- 46	AB	DD		C
"	572 281 0318	16- 14	AB	DD		C
NGERH0495FCZZ	572 281 0665	13- 14	AC	DD		C
NGERH0540FCZ1	572 281 1277	9- 13	AE	DJ		C
NGERH0972FCZZ	572 281 1108	13- 27	AB	DJ		C
NKOM-0001QSZZ	572 273 0019	6- 29	AD	DJ	N	C
NKOM-0002QSZZ	572 273 0020	14- 9	AC	DJ	N	C
NPLYZ0003QSZZ	572 284 0698	4- 43	AM	EG		C
NPLYZ0004QSZZ	572 284 0699	4- 40	AG	DX		C
NPLYZ0005QSZZ	572 284 0700	4- 18	AG	DX	N	C
NPLYZ0006QSZZ	572 284 0701	4- 19	AD	DJ	N	C
NPLYZ0007QSZZ	572 284 0702	5- 4	AG	DX		C
NPLYZ0009QSZZ	572 284 0716	12- 33	AD	DJ	N	C
NRÖL i 0030QSZZ	572 287 1890	9- 11	BC	GJ	N	C
NRÖLM0001YSZZ	572 287 1891	8- 10	AP	EQ	N	C
NRÖLM0002YSZZ	572 287 1906	8- 20	BA	FX	N	C
NRÖLM00037QSZZ	572 287 1907	14- 6	AR	EQ	N	C
NRÖLP0032QSZZ	572 287 1898	6- 40	AT	EZ	N	C
NRÖLP0033QSZZ	572 287 1899	14- 6	AR	EQ	N	C
NRÖLP0034QSZZ	572 287 1908	14- 8	AD	DJ	N	C
NRÖLP0038QSZZ	572 287 1900	14- 38	AP	EQ	N	C
NRÖLP1122FCZZ	572 287 1526	14- 46	AF	DS		C
NRÖLR0031QSZZ	572 287 1903	9- 27	BC	GJ	N	C
NRÖLR0922FCZZ	572 287 1120	13- 13	AR	EZ		C
NSFTZ0016QSZZ	572 290 2469	9- 26	AH	DX	N	C
NSFTZ0017QSZZ	572 290 2470	13- 21	AG	DS	N	C
NSFTZ0018QSZZ	572 290 2471	13- 11	AL	EB	N	C
NSFTZ0019QSZZ	572 290 2472	7- 22	AE	DJ	N	C
NSFTZ0020QSZZ	572 290 2473	7- 19	AL	EB	N	C
NSFTZ0021QSZZ	572 290 2474	6- 28	AK	EB	N	C
NSFTZ0025QSZZ	572 290 2475	14- 24	AQ	EQ	N	C
NSFTZ0028QSZZ	572 290 2476	4- 44	AM	EG	N	C
[P]						
PBOX-0001YSZZ	572 307 0405	8- 11	AN	EQ	N	D
PBRSR0005QSZZ	572 310 0315	14- 11	AK	EB	N	B
PCAPH0001YSZZ	572 312 0054	8- 16	AD	DJ	N	C
PCAPH0004YSZZ	572 312 0055	8- 3	AC	DJ	N	C
PCAPH0005YSZZ	572 312 0056	8- 2	AD	DJ	N	C
PCAPH0009QSZZ	572 312 0053	7- 21	AC	DJ	N	C
PCAPH0011QSZZ	572 312 0059	1- 29	AC	DJ	N	C
PCASZ0006QSZZ	572 315 0193	15- 12	AM	EG	N	C
PCASZ0008QSZZ	572 315 0195	4- 7	AM	EG	N	C
PCÖVP0001YSZZ	572 323 1914	8- 30	AE	DJ	N	C
PCÖVP0018QSZZ	572 323 1887	7- 32	AG	DS		C
PCÖVP0029QSZZ	572 323 1922	9- 5	AX	FQ	N	C
PCÖVP0030QSZA	572 323 1938	13- 1	AM	EG	N	C
PCÖVP0030QSZZ	572 323 1913	13- 1	AN	EG	N	C
PCÖVP0032QSZZ	572 323 1916	11- 37	AE	DJ	N	C
PCÖVP0033QSZZ	572 323 1923	11- 26	AF	DS	N	C
PCUSG0190FCZ1	572 326 0236	4- 21	AB	DJ		C
PCUSS0009QSZZ	572 326 0377	5- 10	AA	DJ		C
PCUSS0201FCZZ	572 326 0103	5- 14	AA	DD		C
PDUC-0003QSZZ	572 332 0194	14- 44	AK	DX	N	C
PF i LZ0004QSZZ	572 337 0363	14- 40	AM	EG	N	B
PG i DH0031QSZZ	572 345 3201	15- 2	AH	DX	N	C
PG i DH0033QSZZ	572 345 3202	9- 25	AL	EB	N	C
PG i DH0041QSZZ	572 345 3203	3- 17	AL	EB	N	C
PG i DM0030QSZZ	572 345 3238	10- 1	AL	EB	N	C
PG i DM0032QSZZ	572 345 3239	15- 16	AE	DS	N	C
PG i DM0034QSZZ	572 345 3240	9- 20	AP	EQ	N	C
PG i DM0035QSZZ	572 345 3213	16- 5	AP	EQ	N	C
PG i DM0036QSZZ	572 345 3214	16- 9	AP	EQ	N	C
PG i DM0037QSZZ	572 345 3215	13- 41	AG	DS	N	C
PG i DM0038QSZZ	572 345 3216	13- 42	AG	DS	N	C
PG i DM0039QSZZ	572 345 3241	14- 45	AS	EQ	N	C
PG i DM0040QSZZ	572 345 3230	14- 47	AQ	EQ	N	C
PG i DM0054QSZZ	572 345 3220	1- 19	AG	DX	N	C
PG i DM0055QSZZ	572 345 3221	1- 21	AG	DX	N	C
PGLSP0003QSZZ	572 348 0134	1- 8	BA	FX	N	B

PARTS CODE	JAPAN ONLY ORDER CODE	NO.	PRICE R.		NEW	P/R
			Ex.	Ja.		
PGUMS0002QSZZ	572 352 0307	4- 33	AL	EB	N	C
PMiR-0008QSZZ	572 374 0198	5- 12	AP	EQ	N	B
PMLT-0002YSZZ	572 375 0890	8- 7	AC	DJ	N	C
PMLT-0005YSZZ	572 375 0893	8- 8	AB	DJ	N	C
PMLT-0006YSZZ	572 375 0894	8- 9	AB	DJ	N	C
PMLT-0015QSZZ	572 375 0877	7- 4	AA	DJ		C
PMLT-0017QSZZ	572 375 0879	7- 17	AC	DJ		C
PMLT-0018QSZZ	572 375 0882	7- 20	AC	DJ		C
PMLT-0023QSZZ	572 375 0896	7- 7	AE	DJ	N	C
PMLT-0027QSZZ	572 375 0897	14- 41	AC	DJ	N	C
PMLT-0686FCZZ	572 375 0483	8- 19	AA	DD		C
PPiPP0005QSZZ	572 395 0210	7- 24	AM	EG	N	C
PPiPP0006QSZZ	572 395 0211	11- 16	AD	DJ	N	C
PPiPP0009FCZZ	572 395 0086	13- 24	AD	DJ	N	C
PPiPP0109FCZZ	572 395 0039	13- 6	AB	DD		C
PPiPP0174FCZZ	572 395 0168	6- 34	AC	DJ		C
PSEL-0021QSZZ	572 400 0693	7- 6	AF	DS		C
PSEL-0022QSZZ	572 400 0694	7- 5	AF	DS		C
PSHEA0004YSZZ	572 403 4379	8- 31	AC	DJ	N	C
PSHEP0050QSZZ	572 403 4385	15- 3	AC	DJ	N	C
PSHEP0051QSZZ	572 403 4386	15- 5	AB	DJ	N	C
PSHEP0052QSZZ	572 403 4387	15- 9	AB	DJ	N	C
PSHEP0053QSZZ	572 403 4409	9- 24	AK	DX	N	C
PSHEP0085QSZZ	572 403 4439	4- 51	AC	DJ	N	C
PSHEP0090QSZZ	572 403 4440	4- 49	AD	DJ	N	C
"	572 403 4440	12- 41	AD	DJ	N	C
PSHEP0091QSZZ	572 403 4441	4- 50	AD	DJ	N	C
PSHEZ0054QSZZ	572 403 4391	16- 2	AC	DJ	N	C
PSHEZ0056QSZZ	572 403 4449	6- 49	AC	DJ	N	C
PSHEZ0058QSZZ	572 403 4392	1- 2	AY	FQ	N	C
PSHEZ0059QSZZ	572 403 4393	1- 9	AF	DS	N	C
PSHEZ0088QSZZ	572 403 4442	1- 27	AF	DS	N	C
PSHEZ0089QSZZ	572 403 4443	1- 28	AF	DS	N	C
PSHEZ0099QSZZ	572 403 4444	13- 35	AC	DJ	N	C
PSHEZ0100QSZZ	572 403 4445	13- 37	AC	DJ	N	C
PSHEZ0105QSZZ	572 403 4446	9- 46	AC	DJ	N	C
PSHEZ0108QSZZ	572 403 4447	4- 52	AC	DJ	N	C
PSHEZ0109QSZZ	572 403 4448	4- 53	AC	DJ	N	C
PSHEZ0121QSZZ	572 403 4450	9- 47	AG	DS	N	C
PSHEZ2026FCZ1	572 403 1992	11- 28	AB	DD		C
PSHEZ2174FCZZ	572 403 2095	11- 23	AB	DD		C
PSHT-0004QSZZ	572 407 0097	7- 27	AC	DJ		C
PSPAZ0011QSZZ	572 413 0682	5- 15	AD	DJ	N	C
PSPAZ0696FCZZ	572 413 0605	7- 23	AC	DJ		C
PTME-0003QSZZ	572 420 0302	10- 8	AD	DJ	N	C
PTME-0007GCZA	578 420 0030	9- 19	AG	DS		C
PTME-0012QSZZ	572 420 0304	10- 15	AC	DJ	N	C
PTME-0013QSZZ	572 420 0307	11- 3	AL	EB	N	C
PTME-0178FCZZ	572 420 0181	13- 31	AC	DD		C
PTME-0179FCZZ	572 420 0182	13- 30	AC	DD		C
PTME-0255FCZZ	572 420 0271	16- 6	AG	DS		C
PTME-0256FCZZ	572 420 0272	16- 10	AG	DS		C
PTPE-0006QSZZ	572 423 0216	7- 15	AC	DJ	N	C
PWiR-0005QSZZ	572 427 1635	4- 1	AS	EQ	N	C
[Q]						
QCNCM0016QSZZ	572 510 1057	18- 1	AL	EB	N	C
QCNCM0017QSZZ	572 510 1051	18- 2	AC	DJ	N	C
QCNCM0019QSZZ	572 510 1052	18- 3	AB	DJ	N	C
QCNCM0029QSZZ	572 510 1071	25- 2	AK	DX	N	C
QCNCM0030QSZZ	572 510 1064	18- 4	AL	EB	N	C
QCNCM0672FCZZ	595 510 0041	29- 2	AB	DD		C
QCNCM0846FCZZ	572 510 0697	18- 5	AF	DS		C
QCNCM0877FCZZ	572 510 0842	18- 6	AF	DS		C
QCNCM0923FC22	572 510 0869	18- 7	AF	DS		C
QCNCM0923FC24	572 510 0870	18- 8	AF	DS		C
QCNCM1005MCZZ	589 510 0004	18- 9	AB	DD		C
QCNCM1006MCZZ	589 510 0020	18- 10	AB	DD		C
QCNCM1119LC0C	572 510 1049	18- 11	AC	DJ	N	C
QCNCM1119LC0D	572 510 1055	18- 12	AC	DJ	N	C
"	572 510 1055	29- 3	AC	DJ	N	C
QCNCM2401SC0C	595 510 0762	18- 13	AB	DJ		C
QCNCM2401SC0D	595 510 0090	18- 14	AC	DJ		C
QCNCM2401SC0E	578 510 0195	18- 15	AC	DJ		C
QCNCM2401SC0F	595 510 0782	28- 2	AB	DJ		C
QCNCM7014SC0B	595 510 0337	18- 16	AD	DJ		C
QCNCM7014SC0C	595 510 0338	18- 17	AA	DD		C
"	595 510 0338	28- 3	AA	DD		C
QCNCM7014SC0D	595 510 0345	18- 18	AB	DD		C
QCNCM7014SC0E	595 510 0744	18- 19	AB	DJ		C
QCNCM7014SC0F	595 510 0346	18- 20	AB	DD		C
"	595 510 0346	28- 4	AB	DD		C

PARTS CODE	JAPAN ONLY ORDER CODE	NO.	PRICE R.		NEW	P/R
			Ex.	Ja.		
QCNCM7014SC0G	595 510 0347	18- 21	AB	DD		C
QCNCM7014SC1A	595 510 0692	18- 22	AC	DJ		C
QCNCM7014SC1B	595 510 0352	18- 23	AD	DJ		C
QCNCM7014SC1J	588 510 0153	18- 24	AC	DD		C
QCNCP0240QCZZ	572 510 0731	18- 25	AA	DJ		C
QCNCP0242QCZZ	572 510 0733	18- 26	AA	DJ		C
QCNCP0341QCZZ	572 510 0922	18- 27	AC	DJ		C
QCNCW0015QSZZ	572 510 1031	18- 28	AE	DJ		C
QCNCW0020QSZZ	572 510 1058	19- 1	AG	DS	N	C
QCNCW0021QSZZ	572 510 1059	19- 2	AF	DS	N	C
"	572 510 1059	27- 2	AF	DS	N	C
QCNCW0022QSZZ	572 510 1060	19- 3	AE	DJ	N	C
QCNCW0023QSZZ	572 510 1061	19- 4	AE	DS	N	C
QCNCW0024QSZZ	572 510 1056	18- 29	AF	DS		C
QCNCW0690FCZZ	572 510 0090	29- 4	AB	DD		C
QCNCW0843FCZZ	572 510 0712	29- 5	AC	DJ		C
QCNCW0885FCZZ	572 510 0834	18- 30	AG	DX		C
QCNCW0948FCZ3	572 510 0923	18- 32	AC	DJ		C
QCNCW1124LC0D	572 510 1032	18- 33	AB	DJ		C
QCNCW1124LC0H	594 510 0507	18- 34	AC	DJ		C
QCNCW1124LC1F	594 510 0473	18- 35	AC	DJ		C
"	594 510 0473	28- 5	AC	DJ		C
QFS-A3089KCZZ	502 515 0003	29- 6	AC	DD		A
QF5HB0001GCZZ	578 516 0006	29- 7	AB	DJ		C
QSLP-0008QSZZ	572 537 0043	15- 14	AD	DJ	N	C
QSLP-0009QSZZ	572 537 0044	15- 11	AD	DJ	N	C
QSOCZ6408ACZZ	578 527 0004	18- 36	AB	DD		C
QSW-B0003QSZZ	572 530 0667	6- 44	AF	DS		B
"	572 530 0667	11- 1	AF	DS		B
QSW-P0008QSZZ	572 530 0679	19- 5	AC	DJ	N	B
"	572 530 0679	27- 3	AC	DJ	N	B
QTANN0015FCZZ	572 532 0016	12- 49	AG	DS		C
[R]						
RCRMZ0001QSZZ	572 616 0105	19- 6	AE	DS	N	B
RCRSZ0001QSZZ	572 616 0100	18- 38	AG	DS		B
RCRSZ0003QSZZ	572 616 0098	18- 39	AP	EQ		B
RCRSZ0004QSZZ	572 616 0103	18- 40	AP	EQ	N	B
RCRSZ0005QSZZ	572 616 0104	19- 7	AF	DS	N	B
RDEN-0001QSZZ	572 685 1806	12- 11	BK	HG	N	E
RDEN-0002QS11	572 685 1808	12- 8	BX	RR	N	E
"	572 685 1808	26-901	BX	RR	N	E
RDEN-0002QS12	572 685 1809	12- 8	BY	TF	N	E
"	572 685 1809	26-901	BY	TF	N	E
RDEN-0002QSZZ	572 685 1807	12- 8	BX	TF	N	E
"	572 685 1807	26-901	BX	TF	N	E
RDTCM0001YSZZ	572 618 0136	8- 25	AZ	FQ	N	B
RDTC0005QSZZ	572 618 0139	9- 16	AN	EQ	N	B
RFiLN0019GCZZ	578 621 0026	18-117	AC	DJ		B
RHET-0003QSZZ	572 623 0077	4- 12	AP	EQ	N	B
RHET-0004QSZZ	572 623 0079	11- 36	AP	EQ	N	B
RLMPU0005QSZZ	572 626 0580	9- 6	BA	FX	N	B
RLMPU0006QSZZ	572 626 0581	9- 6	BA	FX	N	B
RLMPU0007QSZZ	572 626 0582	9- 6	BA	FX	N	B
RMOTD0016QSZZ	572 630 0966	6- 5	AY	FQ	N	B
RMOTP0014QSZZ	572 630 0965	10- 7	BH	GX	N	B
RMOTP0018QSZZ	572 630 0968	14- 59	AV	FG	N	B
RMOTP0021QSZZ	572 630 0970	4- 30	BB	GD	N	B
RMP TW4000QCJ J	594 631 0096	18- 41	AB	DD		B
RMP TW4103QCJ J	571 631 0147	18- 42	AB	DD		B
RMP TW4203QCJ J	572 631 0262	18- 43	AA	DD		B
RMP TW4222QCJ J	572 631 0254	18- 44	AB	DD		B
RMP TW4330QCJ J	567 631 0058	18- 45	AB	DD		B
RPLU-0007QSZZ	572 647 0330	13- 28	AN	EG	N	B
RPLU-0008QSZZ	572 647 0331	10- 16	AN	EG	N	B
RPLU-0009QSZZ	572 647 0332	10- 10	AN	EG	N	B
RRLYD3222QCZZ	572 637 0139	29- 8	AL	EB		B
[S]						
SPAKA0083QSZZ	572 902 1460	17- 4	AX	FG	N	D
SPAKA0130QSZZ	572 902 1482	17- 16	BA	FX	N	D
SPAKA0131QSZZ	572 902 1483	17- 3	AT	EZ	N	D
SPAKA0132QSZZ	572 902 1472	17- 2	AR	EQ	N	D
SPAKA0133QSZZ	572 902 1473	17- 14	AG	DS	N	D
SPAKA0134QSZZ	572 902 1474	17- 7	AE	DJ	N	D
SPAKA0150QSZZ	572 902 1485	17- 17	AF	DS	N	D
SPAKC0091QS11	572 901 1500	17- 1	AY	FQ	N	D
SPAKC0091QSZZ	572 901 1468	17- 1	AY	FQ	N	D
SPAKC0100QS12	572 901 1501	17- 1	AY	FQ	N	D
SPAKC0100QS13	572 901 1532	17- 1	AY	FQ	N	D
SPAKC0100QS14	572 901 1533	17- 1	AY	FQ	N	D
SPAKC0100QS15	572 901 1534	17- 1	AY	FQ	N	D
SPAKC0135QSZZ	572 901 1535	17- 1	AY	FQ	N	D

PARTS CODE	JAPAN ONLY ORDER CODE	NO.	PRICE R.		NEW	P/R
			Ex.	Ja.		
SSAKA2343QCZZ	595 906 0012	17- 19	AA	DD		D
SSAKH9982QCZZ	572 906 0014	17- 5	AF	DS		D
[T]						
TCADZ0010QSZZ	572 913 0821	17- 8	AC	DJ		D
TCAUA0770FCZZ	572 914 0035	1- 32	AB	DD		C
TCAUH0007QSZZ	572 914 0676	6- 48	AD	DJ		C
TCAUH0819FCZZ	572 914 0575	3- 19	AA	DD		C
TiNSE0115QSZZ	572 916 1577	17- 18	AS	EQ	N	D
TiNSE0116QSZZ	572 916 1579	17- 18	AS	EQ	N	D
TiNSF0117QSZZ	572 916 1580	17- 18	BA	FX	N	D
TiNSG0118QSZZ	572 916 1581	17- 18	BB	GD	N	D
TiNSi0120QSZZ	572 916 1582	17- 18	AT	EZ	N	D
TiNSJ0114QSZZ	572 916 1578	17- 18	AX	ZZ	N	D
TiNSS0119QSZZ	572 916 1583	17- 18	AY	FQ	N	D
TiNSZ0121QSZZ	572 916 1584	17- 18	AY	FQ	N	D
TiNSZ0122QSZZ	572 916 1585	17- 18	AY	FQ	N	D
TLABH0061QSZZ	572 917 3359	9- 39	AE	DJ	N	C
TLABH0062QSZZ	572 917 3360	9- 39	AE	DJ	N	C
TLABH0064QSZ1	572 917 3369	16- 8	AC	DJ	N	C
TLABH0065QSZZ	572 917 3371	17- 13	AN	EG	N	C
TLABH0066QSZ1	572 917 3370	13- 44	AE	DJ	N	C
TLABH0068QSZZ	572 917 3373	17-101	AF	DS	N	C
TLABH0069QSZZ	572 917 3372	17- 13	AN	EG	N	C
TLABH0078QSZZ	572 917 3374	17-101	AF	DS	N	C
TLABH0103QSZZ	572 917 3375	1- 30	AE	DS	N	C
TLABH0104QSZZ	572 917 3376	1- 31	AE	DS	N	C
TLABH0107QSZZ	572 917 3377	1- 35	AG	DX	N	C
TLABH0108QSZZ	572 917 3378	1- 35	AG	DX	N	C
TLABH0264GCZZ	578 917 0363	1- 33	AC	DJ		C
TLABZ0058QSZZ	572 917 3341	1- 34	AD	DJ		C
TLABZ1721FCZZ	572 917 1857	8- 5	AA	DD		C
TTAG-0004QSZZ	572 921 0003	16- 19	AC	DJ	N	D
"	572 921 0003	17- 11	AC	DJ	N	D
[U]						
UBAGF0018YSZ1	572 931 0023	17- 6	AF	DS	N	D
UCLEZ0009QSZZ	572 704 0074	7- 3	AV	FG	N	C
UCLEZ0010QSZZ	572 704 0075	7- 16	AR	EQ	N	C
[V]						
VCCCCY1HH101J	507 591 5030	18- 49	AA	DD		C
VCCCCY1HH120J	594 593 0047	18- 47	AA	DD		C
VCCCCY1HH150J	594 593 0048	19- 8	AB	DD		C
VCCCCY1HH180J	594 593 0183	18- 48	AA	DD		C
VCCCCY1HH300J	594 593 0051	19- 9	AB	DD		C
VCCUCY1AJ105Z	596 593 0899	18- 50	AC	DD		C
"	596 593 0899	19- 13	AC	DD		C
VCEAGA1VW106M	572 594 0093	18- 56	AA	DD		C
VCEAGU1CW106M	571 594 0095	18- 51	AA	DD		C
VCEAGU1CW107M	541 591 5286	18- 52	AB	DD		C
VCEAGU1CW226M	541 591 5060	18- 53	AA	DD		C
VCEAGU1CW476M	541 591 5063	18- 54	AB	DD		C
VCEAGU1HW107M	505 591 5012	18- 55	AC	DD		C
VCEAGU1VW476M	579 594 0046	18- 57	AB	DD		C
"	579 594 0046	28- 6	AB	DD		C
VCEAJU1CW476M	596 594 0062	19- 10	AB	DD		C
VCKYCY1EB223K	595 593 1253	18- 58	AA	DD		C
VCKYCY1EF104Z	507 591 5036	18- 59	AA	DD		C
VCKYCY1HB102K	594 593 0044	18- 60	AA	DD	N	C
"	594 593 0044	19- 11	AA	DD	N	C
VCKYCY1HB222K	595 593 0027	18- 61	AA	DD		C
VCKYCY1HB471K	571 593 0179	18- 62	AB	DD		C
VCKYCY1HF103Z	594 593 0071	19- 12	AA	DD		C
VCKYCY1HF223Z	594 593 0072	19- 14	AA	DD		C
VCKYPU1HB102K	541 595 1004	20- 3	AA	DD		C
"	541 595 1004	21- 3	AA	DD		C
"	541 595 1004	22- 3	AA	DD		C
"	541 595 1004	23- 3	AA	DD		C
"	541 595 1004	24- 3	AA	DD		C
"	541 595 1004	28- 7	AA	DD		C
"	541 595 1004	30- 3	AA	DD		C
VHD1N4005E/-1	572 570 0480	18-116	AB	DJ		B
VHDDSS133/-1	500 570 5006	18- 63	AA	DD		B
"	500 570 5006	19- 15	AA	DD		B
"	500 570 5006	29- 9	AA	DD		B
VHERD20EB3/-1	571 571 0169	18- 64	AB	DD		B
VHEUDZS5.6B-1	594 571 0179	18- 65	AC	DJ		B
VHi16163CLT-6	572 573 1771	18-115	BA	FX	N	B
VHi29F400BCA1	572 573 1860	18- 81	BA	FX	N	B
VHi29F400BCB1	572 573 1861	18- 81	BA	FX	N	B
VHi65808GN146	572 573 1853	18- 82	BF	GN	N	B
VHi74HCT244MF	596 573 0869	18- 83	AH	DX		B
VHi74LS244NS1	596 573 0691	18- 84	AH	DX		B

PARTS CODE	JAPAN ONLY ORDER CODE	NO.	PRICE R.		NEW	P/R
			Ex.	Ja.		
VHi74VHC08/-1	572 573 1476	18- 85	AE	DS		B
VHiH8/3643/-1	572 573 1820	19- 16	AU	EZ	N	B
VHiH8S/2350FP	572 573 1768	18- 67	AY	FQ		B
VHiHG73C025FD	572 573 1767	18- 66	BE	GN		B
VHiLM358PS/-S	572 573 0399	18- 68	AC	DJ		B
VHiM24C04BN6/	572 573 1852	18- 70	AG	DX	N	B
VHiM51953BL-1	588 573 0032	18- 71	AF	DS		B
VHiM66236FP-1	572 573 1791	18- 72	AT	EZ		B
VHiMC7805CT-2	572 573 1080	18- 69	AE	DS		B
VHiNJM2903M/-	572 573 0025	18- 73	AD	DJ		B
VHiNJM3414M-1	571 573 1448	18- 74	AF	DX		B
VHiSC65165V6T	596 573 2808	18-114	BW	RR	N	B
VHiSLA7027MUL	578 573 0932	18- 75	AQ	EQ		B
VHiSTA401A/-1	572 576 0006	18- 76	AP	EQ		B
"	572 576 0006	28- 8	AP	EQ		B
VHiTA7291S/-1	572 573 0188	18- 77	AF	DS		B
VHiTB62706AN/	572 573 1825	19- 17	AS	EQ	N	B
VHiTC74ACT32F	567 573 1044	18- 86	AF	DS		B
VHiTD62503F/-	572 573 0907	18- 78	AG	DX		B
VHiTD62785F//	572 573 1821	19- 18	AN	EQ	N	B
VHiULN2003AN1	572 573 0829	18- 79	AE	DJ		B
VHiW24258A12J	572 573 1880	18- 80	AN	EG	N	B
VHPGP1S53V/-1	578 574 0031	20- 4	AE	DS		B
"	578 574 0031	21- 4	AE	DS		B
"	578 574 0031	22- 4	AE	DS		B
"	578 574 0031	23- 4	AE	DS		B
"	578 574 0031	24- 4	AE	DS		B
"	578 574 0031	28- 9	AE	DS		B
"	578 574 0031	30- 4	AE	DS		B
VHPLTC3650G01	572 574 0314	19- 19	AQ	EQ		B
VHPMPG3864K-J	572 574 0298	19- 20	AC	DJ		B
"	572 574 0298	27- 4	AC	DJ		B
VHPMVR3864K-J	572 574 0299	19- 21	AC	DJ		B
VHVICPN38//-1	585 577 0022	18- 87	AF	DS		B
"	585 577 0022	28- 10	AF	DS		B
VRD-HT2EY103J	505 581 5044	18-119	AA	DD		C
VRD-HT2EY151J	541 581 5470	28- 11	AA	DD		C
VRD-HT2EY222J	590 581 0041	28- 12	AA	DD		C
VRD-RC2EY161J	572 580 0612	19- 22	AA	DD		C
VRS-CY1JD000J	507 581 5050	18- 88	AA	DD		C
"	507 581 5050	19- 23	AA	DD		C
VRS-CY1JD100J	596 581 0256	18- 89	AA	DD		C
VRS-CY1JD101J	596 581 0257	18- 90	AA	DD		C
VRS-CY1JD102J	571 581 0007	18- 91	AA	DD		C
VRS-CY1JD103F	521 581 0049	18- 92	AB	DD		C
VRS-CY1JD103J	500 581 5097	18- 93	AA	DD		C
"	500 581 5097	19- 24	AA	DD		C
VRS-CY1JD105J	507 581 5052	19- 25	AA	DD		C
VRS-CY1JD123J	571 581 0008	19- 26	AA	DD		C
VRS-CY1JD203J	571 581 0006	18- 97	AA	DD		C
VRS-CY1JD205J	521 581 0006	18- 98	AA	DD		C
VRS-CY1JD220F	572 581 1882	18- 99	AA	DD	N	C
VRS-CY1JD221J	500 581 5111	18- 95	AA	DD		C
VRS-CY1JD242F	594 581 0819	18-101	AA	DD		C
VRS-CY1JD242J	596 581 2169	18-102	AA	DD		C
VRS-CY1JD330J	596 581 0263	18-103	AA	DD		C
VRS-CY1JD331J	585 581 0468	18-104	AA	DD		C
VRS-CY1JD471J	571 581 0002	19- 27	AA	DD		C
VRS-CY1JD472J	595 581 0069	18-105	AA	DD		C
VRS-CY1JD473J	507 581 5058	18-106	AA	DD		C
VRS-CY1JD511J	595 581 0110	18- 96	AA	DD		C
VRS-CY1JD680J	507 581 0005	18- 94	AA	DD		C
VRS-RE3DA131J	578 581 0266	18-108	AC	DD		C
VRS-RE3DA1R0J	578 581 0219	18-107	AB	DD		C
VRS-TP2BD221J	500 581 5017	18-109	AB	DD		C
VRS-TP2BD472J	500 581 0383	18-110	AA	DD		C
VRS-TP2BD473J	500 581 0384	18-111	AA	DD		C
VRS-TP2BD6R8J	572 581 1881	19- 28	AA	DD	N	C
VRS-TS2AD101J	500 581 5047	18-118	AA	DD		C
VS2SA1036KQRC	507 576 5013	18-113	AB	DD		B
VS2SA1162-Y-1	596 576 0137	19- 29	AB	DD		B
VS2SC2712Y/-1	572 576 0364	19- 30	AB	DJ		B
VSDTC114EK/-1	595 576 0038	18-112	AB	DD		B
[X]						
XBBS30P04000	541 970 5027	10- 17	AA	DD		C
XBBS30P06000	541 970 5028	7- 10	AA	DD		C
"	541 970 5028	9- 22	AA	DD		C
XBBS30P08000	571 970 0241	4- 23	AA	DD		C
XBBS30P10000	585 970 0050	13- 34	AA	DD		C
XBBS30P10000	577 970 0051	10- 6	AA	DD		C
XBBS30P06000	595 970 0127	1- 16	AA	DD		C

PARTS CODE	JAPAN ONLY ORDER CODE	NO.	PRICE R.		NEW	P/R
			Ex.	Ja.		
XBBSE30P06000	595 970 0127	12- 39	AA	DD		C
XBPBZ30P04000	572 970 0554	8- 23	AA	DD		C
XBPSC30P06ES0	572 970 1939	6- 9	AA	DD		C
XBPSD30P05K00	541 970 5005	4- 29	AA	DD		C
XBPSD30P05KS0	541 970 5004	9- 1	AA	DD		C
XBPSD30P08KS0	541 970 1097	9- 9	AA	DD		C
"	541 970 1097	12- 10	AA	DD		C
XBPSD30P10KS0	541 970 0017	6- 42	AB	DD		C
"	541 970 0017	9- 15	AB	DD		C
XBPSD30P30KS0	596 970 0147	12- 7	AA	DD		C
XBPSD40P06KS0	502 970 0010	5- 3	AA	DD		C
XBPSD40P08K00	541 970 1106	4- 5	AA	DD		C
XBPSD40P16KS0	541 970 1096	4- 31	AA	DD		C
XBPSN40P06K00	595 970 0189	12- 17	AA	DD		C
XEBSD20P06000	572 970 0589	14- 42	AA	DD		C
XEBSD30P06000	578 970 0102	6- 23	AA	DD		C
"	578 970 0102	6- 31	AA	DD		C
"	578 970 0102	9- 21	AA	DD		C
"	578 970 0102	14- 4	AA	DD		C
"	578 970 0102	15- 17	AA	DD		C
XEBSD30P08000	578 970 0105	2- 18	AA	DD		C
"	578 970 0105	6- 16	AA	DD		C
"	578 970 0105	11- 11	AA	DD		C
"	578 970 0105	11- 35	AA	DD		C
"	578 970 0105	13- 18	AA	DD		C
"	578 970 0105	13- 52	AA	DD		C
"	578 970 0105	14- 1	AA	DD		C
"	578 970 0105	14- 50	AA	DD		C
"	578 970 0105	16- 12	AA	DD		C
XEBSD30P10000	578 970 0106	3- 7	AA	DD		C
"	578 970 0106	6- 6	AA	DD		C
"	578 970 0106	6- 18	AA	DD		C
"	578 970 0106	7- 1	AA	DD		C
"	578 970 0106	8- 6	AA	DD		C
"	578 970 0106	9- 45	AA	DD		C
"	578 970 0106	11- 8	AA	DD		C
XEBSD30P14000	572 970 1675	14- 17	AA	DD		C
XEBSD30P18000	578 970 0187	12- 46	AA	DD		C
XEBSD40P06000	572 970 1363	5- 6	AA	DD		C
XEBSD40P12000	578 970 0084	11- 22	AA	DD		C
XEBSE30P06000	578 970 0082	13- 43	AA	DD		C
XEBSE30P08000	595 970 0121	1- 26	AA	DD		C
"	595 970 0121	12- 4	AA	DD		C
"	595 970 0121	15- 1	AA	DD		C
XEBSE40P10000	572 970 0575	1- 4	AA	DD		C
"	572 970 0575	1- 14	AA	DD		C
"	572 970 0575	1- 24	AA	DD		C
XEBSF30P08000	577 970 0058	8- 14	AA	DD		C
XEPSD23P12000	595 970 0146	6- 1	AA	DD		C
XEPSD40P12000	572 970 0582	11- 7	AA	DD		C
"	572 970 0582	12- 15	AA	DD		C
XHBSD30P06000	541 970 1017	1- 20	AA	DD		C
"	541 970 1017	4- 6	AA	DD		C
"	541 970 1017	4- 11	AA	DD		C
"	541 970 1017	9- 4	AA	DD		C
"	541 970 1017	12- 13	AA	DD		C
XHBSD30P08000	578 970 0060	10- 2	AA	DD		C
"	578 970 0060	12- 27	AA	DD		C
"	578 970 0060	12- 29	AA	DD		C
XHBSD30P10000	572 970 0530	3- 3	AA	DD		C
"	572 970 0530	12- 28	AA	DD		C
XHBSD30P12000	569 970 0027	12- 26	AA	DD		C
XHBSD30P14000	572 970 1532	3- 5	AA	DD		C
XHBSD30P16000	595 970 0166	3- 11	AA	DD		C
XHBSE30P08000	595 970 0163	1- 17	AA	DD		C
"	595 970 0163	12- 5	AA	DD		C
XHBSF30P05000	594 970 0287	14- 60	AA	DD		C
XPSSJ20-07000	572 218 0379	6- 36	AA	DD		C
"	572 218 0379	13- 8	AA	DD		C
XPSSJ20-10000	572 218 0135	14- 20	AA	DD		C
"	572 218 0135	14- 36	AA	DD		C
XPSSJ30-12000	572 218 0125	4- 45	AB	DD		C
XRESP30-06000	541 399 5002	9- 29	AA	DD		C
"	541 399 5002	14- 62	AA	DD		C
XRESP40-05000	572 399 0053	4- 20	AA	DD		C
XRESP40-06000	509 399 5001	6- 27	AA	DD		C
"	509 399 5001	10- 12	AA	DD		C
"	509 399 5001	11- 13	AA	DD		C
"	509 399 5001	12- 35	AA	DD		C
"	509 399 5001	13- 4	AA	DD		C
"	509 399 5001	14- 34	AA	DD		C

PARTS CODE	JAPAN ONLY ORDER CODE	NO.	PRICE R.		NEW	P/R
			Ex.	Ja.		
XRESP40-06000	509 399 5001	14- 53	AA	DD		C
"	509 399 5001	16- 7	AA	DD		C
XRESP50-06000	572 399 0063	4- 38	AA	DD		C
"	572 399 0063	8- 29	AA	DD		C
"	572 399 0063	11- 18	AA	DD		C
"	572 399 0063	14- 12	AA	DD		C
"	572 399 0063	14- 22	AA	DD		C
XRESP60-08000	541 399 5003	6- 39	AA	DD		C
XRESP70-08000	571 399 0027	4- 36	AA	DD		C
XUBUZ30P06000	578 970 0081	8- 24	AA	DD		C
XWHSD30-05080	500 990 0026	12- 48	AA	DD		C
XWHSD30-08100	505 990 5001	16- 13	AA	DD		C
XWSSD30-07000	541 990 0007	12- 47	AA	DD		C
[0]						
0KY0C151E101/	572 594 0800	26- 80	AD	DJ	N	C
0KY0C151M221/	572 594 0801	26- 81	AE	DS	N	C
0KY0C171E331/	572 594 0802	26- 82	AD	DJ	N	C
0KY0C1A8S470/	572 594 0820	26- 83	AG	DS	N	C
0KY0C1A9R221/	572 594 0795	26- 83	AG	DS	N	C
0KY0C1A9R331/	572 594 0796	26- 84	AG	DX	N	C
0KY0C1A9R471/	572 594 0797	26- 85	AG	DX	N	C
0KY0C1H6Q222/	572 594 0798	26- 86	AH	DX	N	C
0KY0C1H6Q472/	572 594 0799	26- 86	AK	EB	N	C
"	572 594 0799	26- 87	AK	EB	N	C
0KY0C245Q224/	572 594 0804	26- 88	AN	EG	N	C
0KY0C251E102/	572 594 0805	26- 89	AE	DJ	N	C
0KY0C251E103/	572 594 0806	26- 91	AE	DJ	N	C
0KY0C251E104/	572 594 0807	26- 95	AG	DS	N	C
0KY0C251E223/	572 594 0808	26- 92	AE	DS	N	C
0KY0C251E333/	572 594 0809	26- 93	AE	DS	N	C
0KY0C251E472/	572 594 0810	26- 90	AE	DJ	N	C
0KY0C251E473/	572 594 0811	26- 94	AF	DS	N	C
0KY0C2X0Q104/	572 594 0803	26- 96	AR	EQ	N	C
0KY0C364E4R7/	572 594 0816	26- 97	AH	DX	N	C
0KY0C374D331/	572 594 0817	26- 99	AN	EG	N	C
0KY0C374D820/	572 594 0818	26- 98	AH	DX	N	C
0KY0C375B471/	572 594 0819	26-100	AN	EG	N	C
0KY0C3J5M181/	572 594 0821	26-103	BC	GD	N	C
0KY0C3L2A332/	572 594 0812	26-101	AT	EZ	N	C
0KY0C3L2B152/	572 594 0813	26-102	AS	EQ	N	C
0KY0C3L3L102/	572 594 0814	26-103	BD	GJ	N	C
0KY0C3L7D102/	572 594 0815	26-104	AR	EQ	N	C
0KY0D113A003/	572 570 0482	26- 1	AX	FG	N	B
0KY0D119A006/	572 570 0495	26- 1	AW	FG	N	B
0KY0D157A006/	572 570 0483	26- 2	AF	DS	N	B
0KY0D202B001/	572 570 0484	26- 3	AZ	FQ	N	B
0KY0D202B006/	572 570 0496	26- 3	AZ	FQ	N	B
0KY0D206B003/	572 570 0485	26- 4	AY	FQ	N	B
0KY0D208B006/	572 570 0486	26- 5	AQ	EQ	N	B
0KY0D219B006/	572 570 0487	26- 6	AQ	EQ	N	B
0KY0D251A002/	572 570 0488	26- 7	AD	DJ	N	B
0KY0D264A006/	572 570 0489	26- 8	AL	EB	N	B
0KY0D264A010/	572 570 0497	26- 5	AN	EQ	N	B
0KY0D265A002/	572 570 0490	26- 9	AK	DX	N	B
0KY0D466A024/	572 570 0491	26- 10	AE	DS	N	B
0KY0D466A048/	572 570 0492	26- 11	AE	DS	N	B
0KY0D466A096/	572 570 0493	26- 12	AE	DS	N	B
0KY0D466A105/	572 570 0494	26- 13	AU	EZ	N	B
0KY0D513A406/	572 575 0155	26- 14	AU	EZ	N	B
0KY0D513A606/	572 576 0534	26- 14	AU	EZ	N	B
0KY0D517A416/	572 575 0156	26- 15	BC	GD	N	B
0KY0D517A616/	572 576 0535	26- 15	BC	GJ	N	B
0KY0D719A471/	572 577 0030	26- 28	AM	EG	N	B
0KY0D802A101/	572 580 1148	26- 30	AS	EQ	N	B
0KY0H112A001/	572 573 1854	26- 21	AN	EQ	N	B
0KY0H128A001/	572 573 1855	26- 22	AZ	FQ	N	B
0KY0H130A012/	572 573 1856	26- 23	AT	EZ	N	B
0KY0H141A001/	572 573 1857	26- 24	AZ	FQ	N	B
0KY0H153A001/	572 573 1858	26- 25	AP	EQ	N	B
0KY0H719A001/	572 568 0098	26- 26	AN	EQ	N	B
0KY0H723A001/	572 568 0100	26- 26	AP	EQ	N	B
0KY0H725A001/	572 568 0099	26- 27	AV	FG	N	B
0KY0K202B003/	572 510 1065	26-116	AG	DX	N	C
0KY0K219B003/	572 510 1066	26-117	AS	EZ	N	C
0KY0K219B004/	572 510 1067	26-118	AU	EZ	N	C
0KY0K219B006/	572 510 1068	26-119	AX	FG	N	C
0KY0K235B002/	572 510 1069	26-120	AN	EG	N	C
0KY0K236B026/	572 510 1070	26-121	AR	EQ	N	C
0KY0K251A002/	572 510 1072	26-124	AG	DX	N	C
0KY0K252P004/	572 532 0206	26-122	AH	DX	N	C
0KY0K309A024/	572 637 0151	26-115	AZ	FQ	N	B

SHARP

COPYRIGHT © 1998 BY SHARP CORPORATION

All rights reserved.

Printed in Japan.

No part of this publication may be reproduced,
stored in a retrieval system, or transmitted,
in any form or by any means,
electronic, mechanical, photocopying, recording, or otherwise,
without prior written permission of the publisher.

SHARP CORPORATION
Printing & Reprographic Systems Group
Quality & Reliability Control Center
Yamatokoriyama, Nara 639-1186, Japan
December 1998 Printed in Japan ㊞