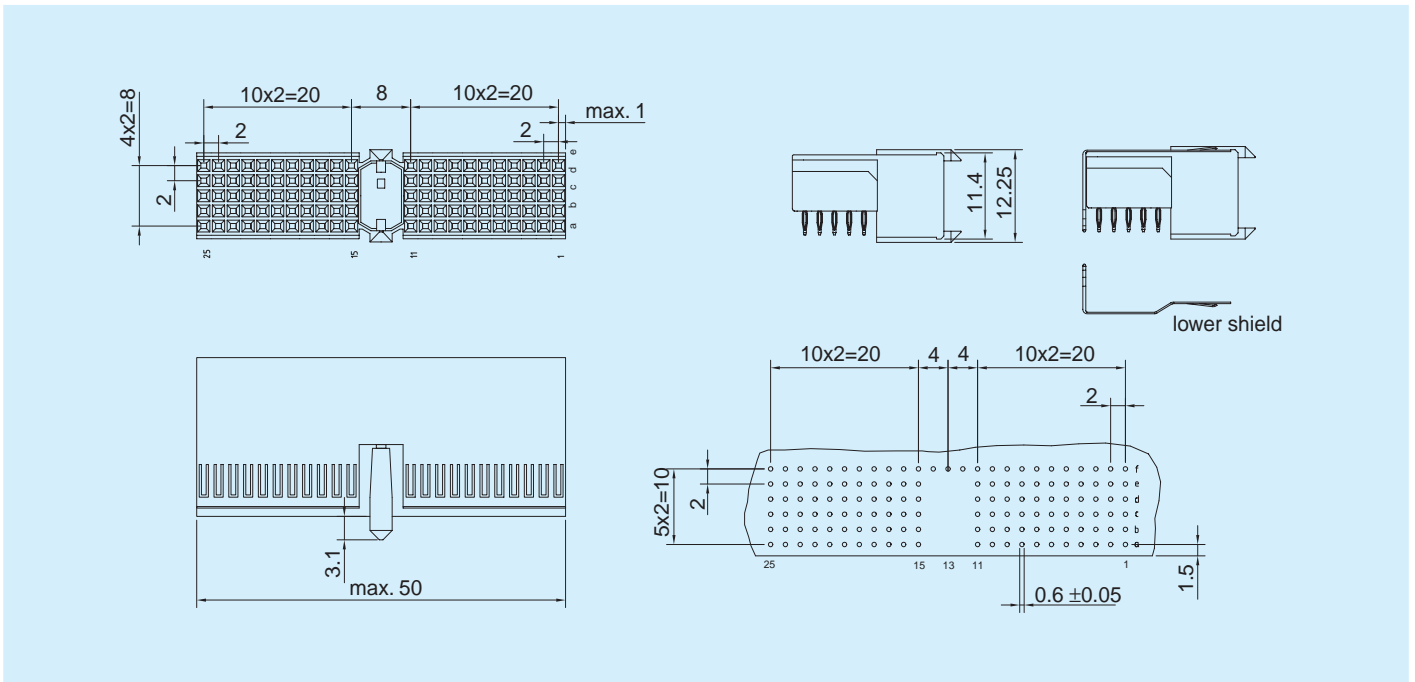


Female Connectors Type A



Type	No. of Positions	Part Numbers
connector without shielding	110	CHM-F-A25-P1-0-1*
		CHM-F-A25-P1-0-2**
connector with shielding	110	CHM-F-A25-P1-S-1*
		CHM-F-A25-P1-S-2**
connector with shielding cPCI Telephony Spec.	90	CHM120230-0*
		CHM120230-1**
lower shield		CHM120230-9000

* Performance class I > 500 mating cycles ** Performance class II > 250 mating cycles