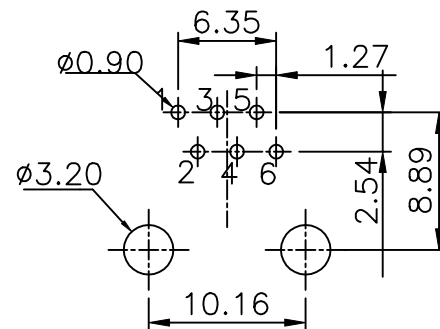
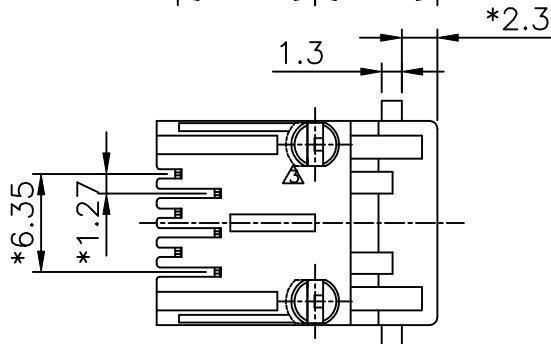
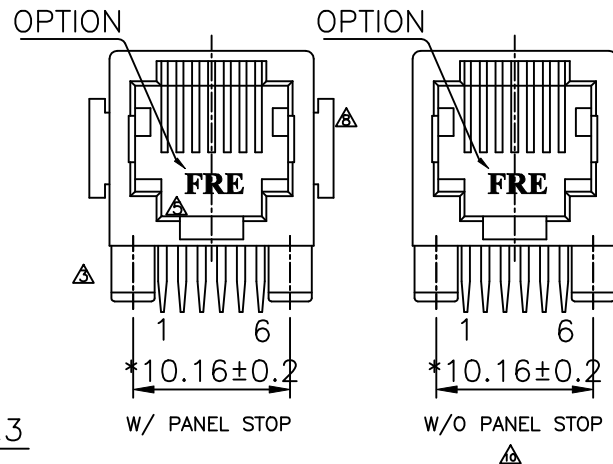
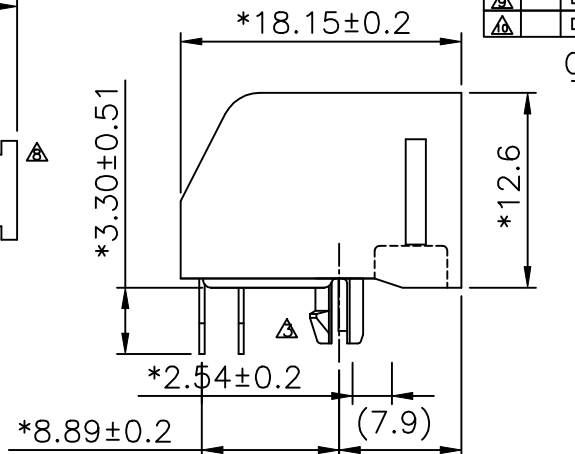
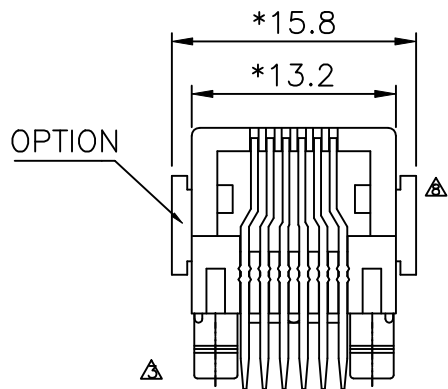


DEL ROHS P/N	Qianpu 3/25/05	MODIFY DRAWING	YICUN 11/18/02	REVISION RECORD				
		ADD PART NUMBER	LY 11/21/02	REV	ECO	DESCRIPTION	DRFT	CHKD
		ADD PART NUMBER	LY 12/27/02			ADD PART NO	YINC 8/22/02	
		DRAWING MODIFY	LY 1/14/03			ADD PART NO	PSP 01/11/02	
		DRAWING MODIFY	LUXIN 11/16/04			MODIFY DRAWING	PSP 03/08/02	
		DRAWING MODIFY	LUXIN 12/25/04			ADD PART NO	PSP 04/01/02	



NOTES:

- ELECTRICAL:**
- VOLTAGE RATING : 125 VAC RMS.
 - CURRENT RATING : 1.5 AMP.
 - CONTACT RESISTANCE : 35 MILLIOHMS MAX.
 - INSULATION RESISTANCE: 1000 MEGOHMS MIN @ 500 VDC.
 - DIELECTRIC STRENGTH : 1000 VAC RMS 60Hz, 1MIN.
- MECHANICAL:**
- HOUSING MATERIAL : GLASS FILLED POLYESTER UL94V-0.
 - CONTACT MATERIAL : PHOSPHOR BRONZE t=0.35mm.
 - PLATING : GOLD PLATING OVER NICKEL.
 - OPERATING LIFE : 750 CYCLES MIN.
 - PCB RETENTION PRE-SOLDER : 1 LB MIN.
 - PCB RETENTION POST-SOLDER: 10 LBS MIN.

- ENVIRONMENTAL:**
- STORAGE : -40°C TO +85°C.
 - OPERATION: 0°C TO 70°C.
MATES WITH MODULAR PLUG CONFORMING TO FCC PART 68, SUBPART F.
CUL FILE NO. E163191
 - PART NUMBER: E626X-000XXX

NO. OF CONTACT		NO. OF CONTACT	
2-2C	1- 3u"	2- 6u"	
4-4C	3-15u"	4-30u"	
6-6C	5-50u"		

- | | |
|----------------------------|--|
| 0-PBT+30%.G.F BK | 1- W/ PANEL STOP,W/O KEY,W/O "FRE" LOGO |
| 1-PBT+15%.G.F BK | 2- W/O PANEL STOP,W/O KEY,W/O "FRE" LOGO |
| 2-PBT+30%.G.F BK | A- W/ PANEL STOP,W/O KEY,W/ "FRE" LOGO |
| 3-FR50 BK | B- W/O PANEL STOP,W/O KEY,W/ "FRE" LOGO |
| 6-PBT+30%.G.F Almond white | |
| 7-FR52 BK | |

DETACHED LISTS	MM (INCH)	DFTO BASS	DATE 5/22/98	FULL RISE ELECTRONIC CO., LTD	
	TOLERANCES EXCEPT AS NOTED	CHKD SAMMY	DATE 2005/3/26		
	MM	MFO	DATE	TITLE	
	.0 ± 0.2	APPVLLUSHENG	DATE 2005/3/26	AMP L/P SIDE ENTRY PCB JACK 6P	
.00 ± 0.15			MATERIAL :	DRAWING NO. GE623005	SIZE A3
.000 ± 0.075			FINISH :	/PART NO. SEE NOTE	REV 11
ANGLES ± 0.5			SCALE : 3 : 1	DO NOT SCALE DRAWING	SHEET OF
THIRD ANGLE PROJECTION					