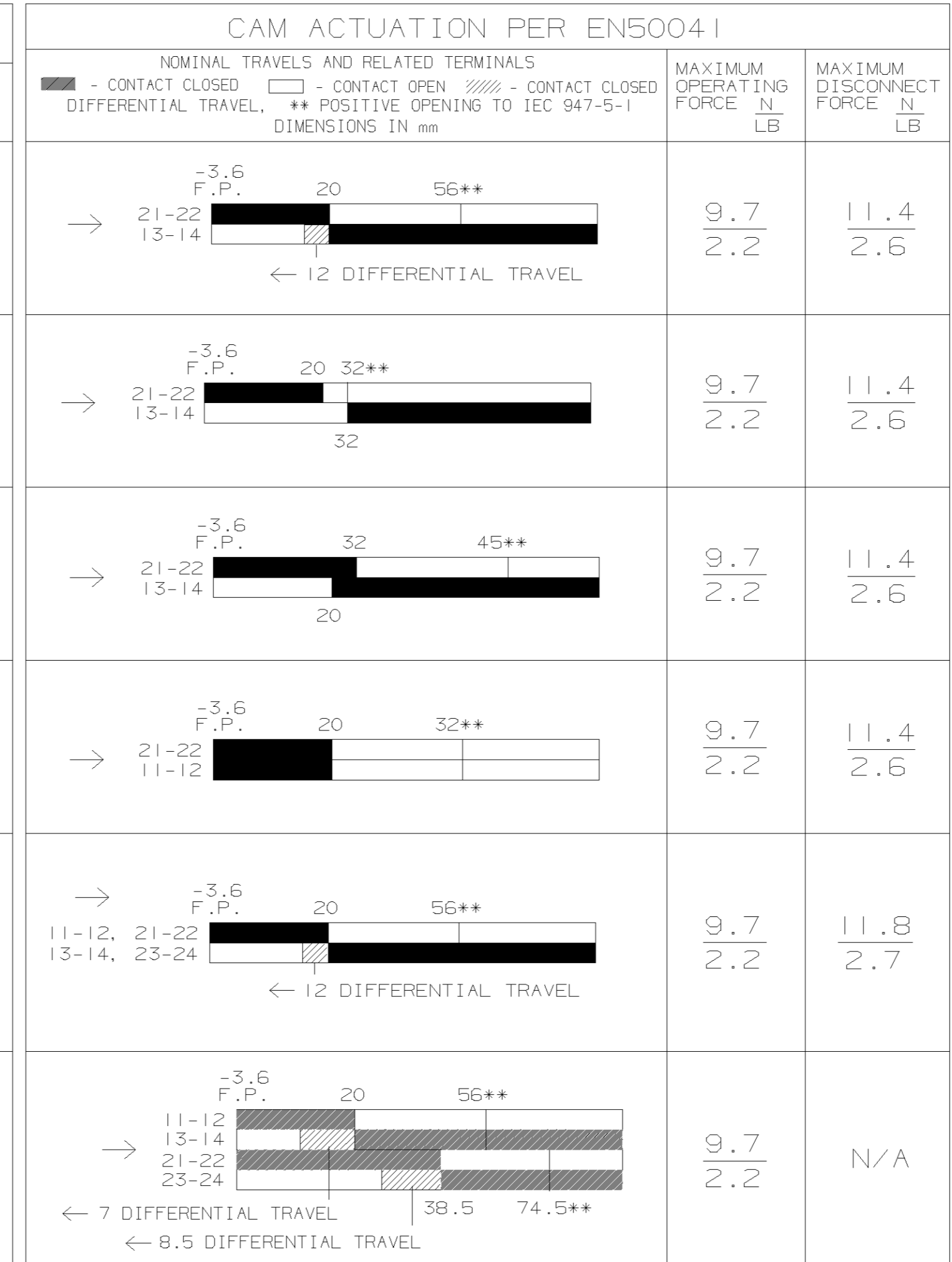
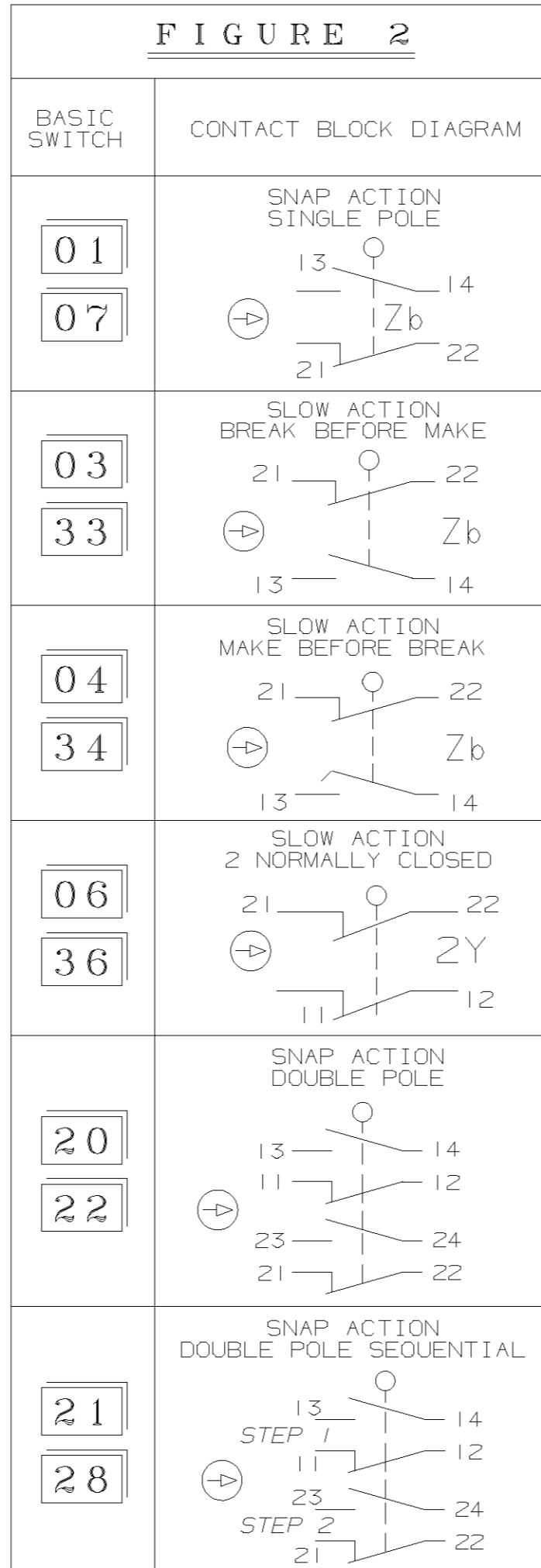
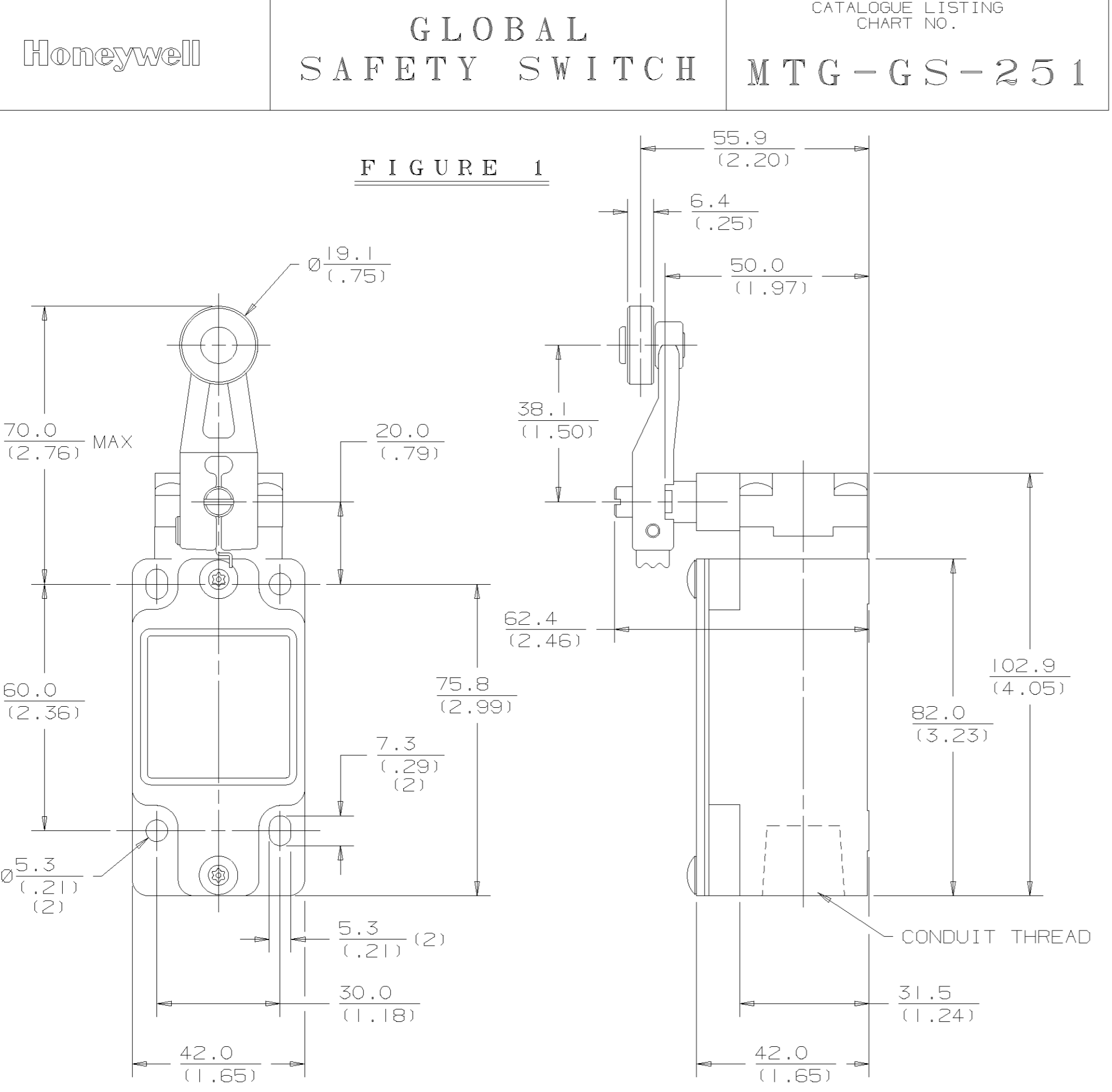


MTG-GS-251

DRAWING NUMBER
3

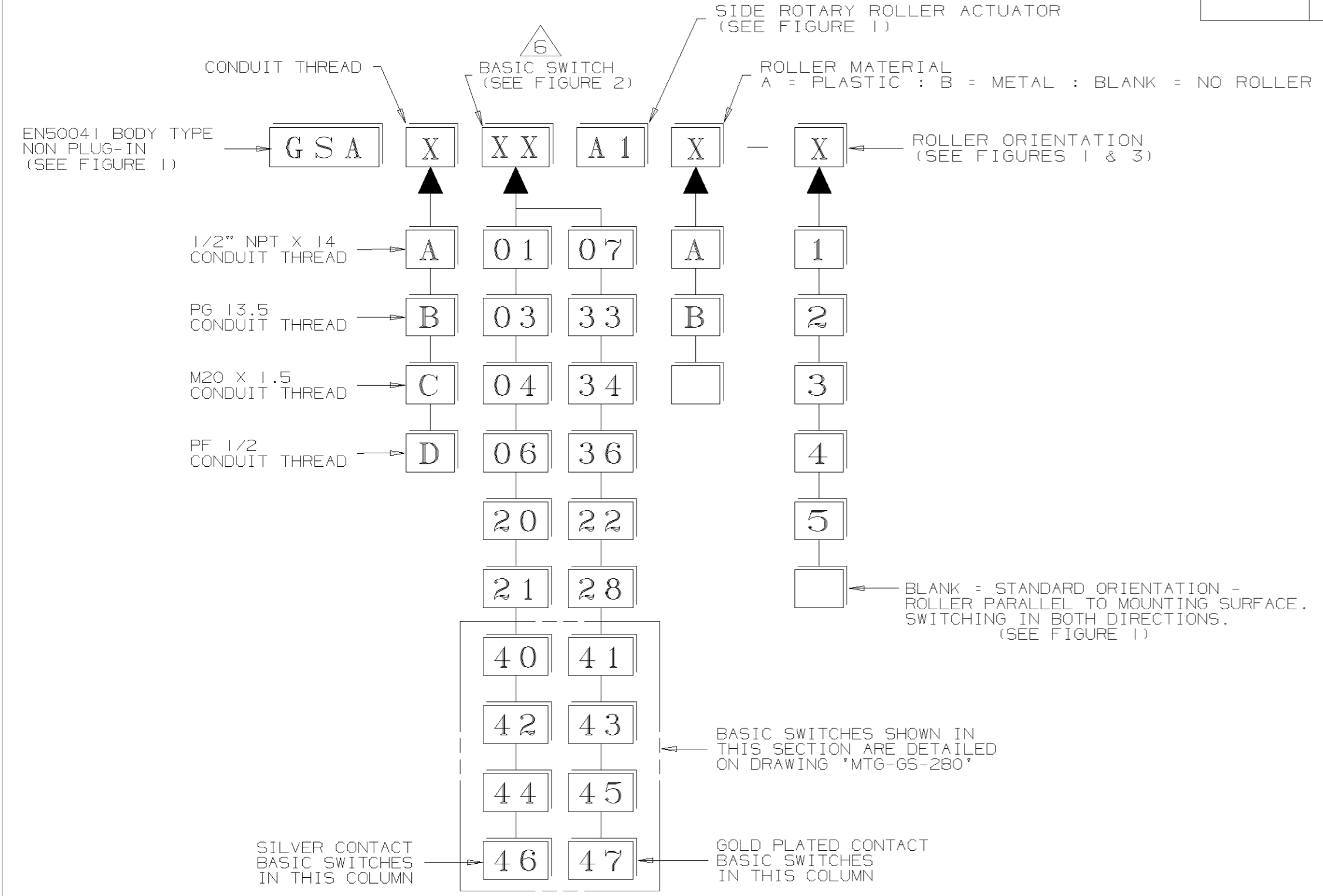
REVISIONS
2 CO#703
IW 11/98
3 CO#1315
IW 2/00

DO NOT SCALE PRINT
REPLACES (M) GS SERIES CHART 1
CO/542
RELEASE NUMBER



MIN. OPERATING VELOCITY = 8.5mm/S (0.33in/S)
 MAX. OPERATING VELOCITY = 0.85M/S (33.5in/S)
 MAX. OPERATING FREQUENCY = 250 OPS/MINUTE

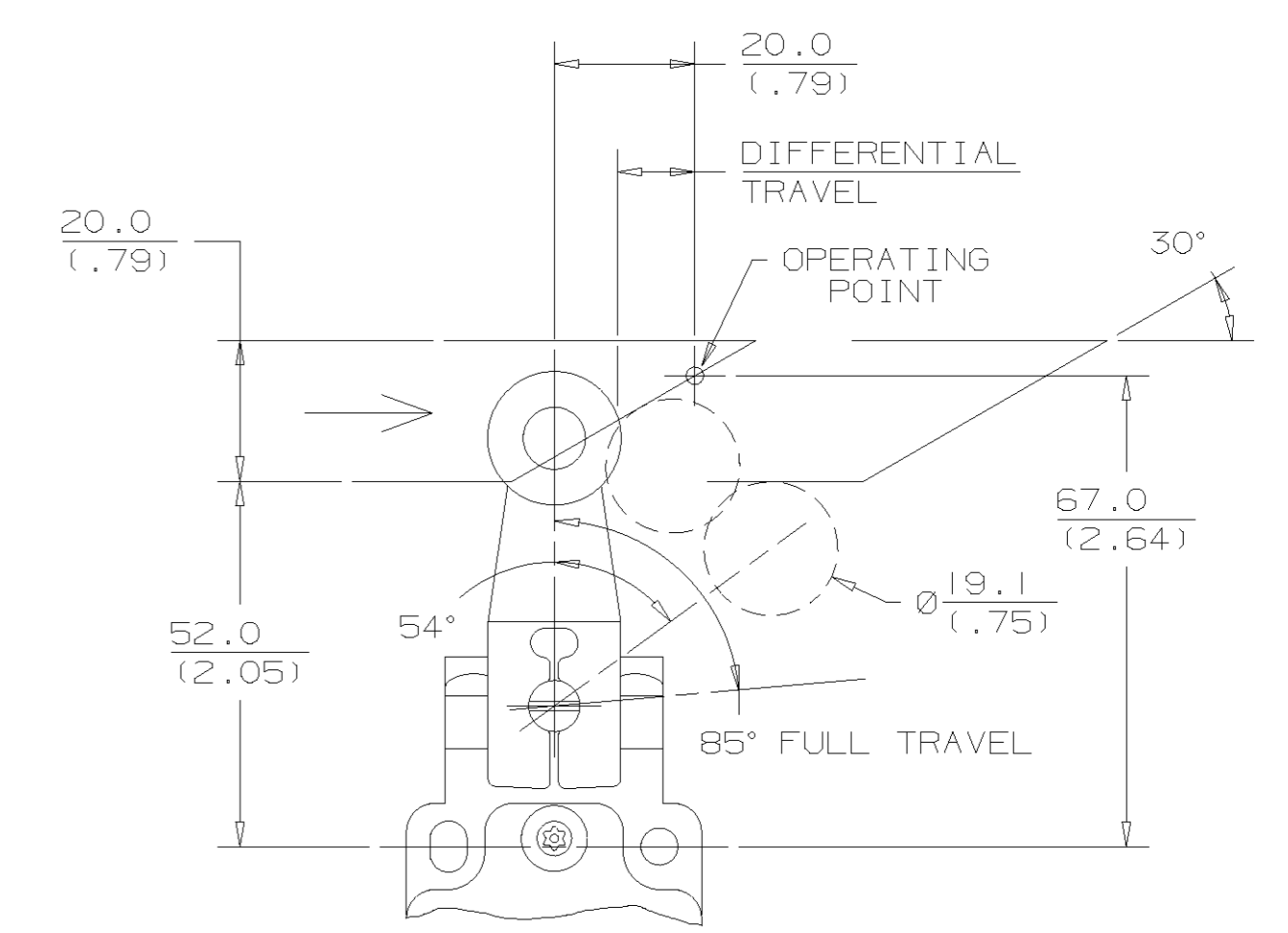
MIN. OPERATING ACTUATION = 13°/SECOND
 MAX. OPERATING ACTUATION = 1290°/SECOND
 MAX. OPERATING FREQUENCY = 250 OPS/MINUTE



NOTES:-

- RED EPOXY PAINT FINISHED ZINC DIE-CAST BODY AND STEEL COVER. BLACK EPOXY PAINT FINISHED ZINC DIE-CAST HEAD.
- FREE POSITION (F.P.), OPERATING POINT, OVERTRAVEL (O.T.) AND PRETRAVEL ALL TO EN50041.
- ANY STANDARD LISTING WITH SUFFIX 'RS' OR 'FE' IS PERMITTED.
- LEVERS MAY BE ATTACHED TO THE SHAFT AT 90° INCREMENTS. THEY MAY ALSO BE ATTACHED, BUT NOT KEYPED, ANYWHERE ON THE SHAFT.
- HEAD AND COVER FIXED WITH TORX® SOCKET HEAD SCREWS (DRIVER SUPPLIED).
- BG** APPROVAL APPLIES TO ALL LISTINGS EXCEPT THOSE CONTAINING BASIC SWITCHES 20, 22, 21 & 28.

NO CHANGES CAN BE MADE TO THIS DRAWING WITHOUT JOINT NEWHOUSE/FREEPORT APPROVAL



IEC 947-5-1 ELECTRICAL RATING					GOLD PLATED CONTACTS		ENVIRONMENTAL		APPROVALS		
SILVER CONTACTS					I _{th} = 10A	IP67	NEMA/UL 1, 4, 12, 13	TEMP RANGE : -25°C TO 85°C -13°F TO 185°F	STORAGE : -40°C TO 85°C -40°F TO 185°F	SHOCK : 50G PER IEC 68-2-27 VIBRATION : 10G PER IEC 68-2-6	CE UL BG IEC 60947-5-1 EN50041
AC	AC (FOR 2NC)		DC								
A600 U _e	AC15 I _e	A500 U _e	AC15 I _e	O300 U _e	DC13 I _e	1V 10μA MIN.		50V 100mA MAX.			
VOLTS	AMPS	VOLTS	AMPS	VOLTS	AMPS						
120	6	120	6	24	2.8						
240	3	240	3	125	0.55						
380	1.9	380	1.9	250	0.27						
480	1.4	480	1.4								
500	1.2	500	1.4								
600											

THE COPYRIGHT OF THIS DRAWING IS THE PROPERTY OF HONEYWELL LTD. THE DRAWING IS SUPPLIED IN CONFIDENCE AND MUST NOT BE USED FOR ANY PURPOSE OTHER THAN THAT FOR WHICH IT IS SUPPLIED.

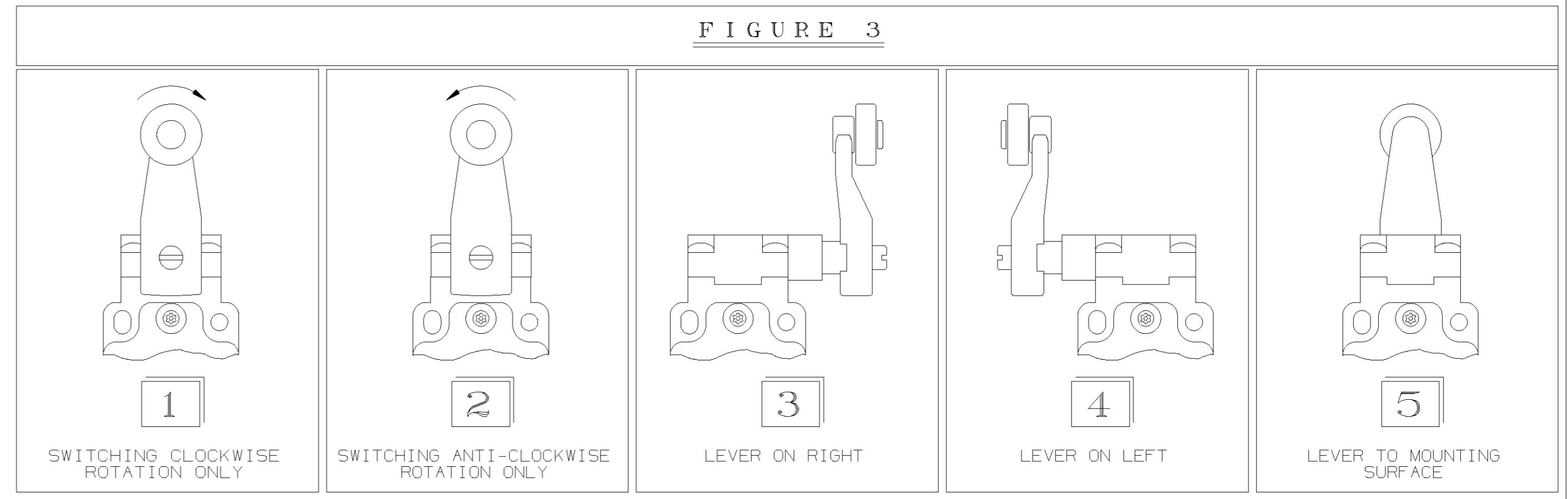
THIRD ANGLE PROJECTION

SCALE:- 1/1

DIMENSIONS ARE IN (INCHES)

MM

MODIFY ON CAD SYSTEM ONLY



DRAWN
CHECK
DESIGN
AUTHOR'S N