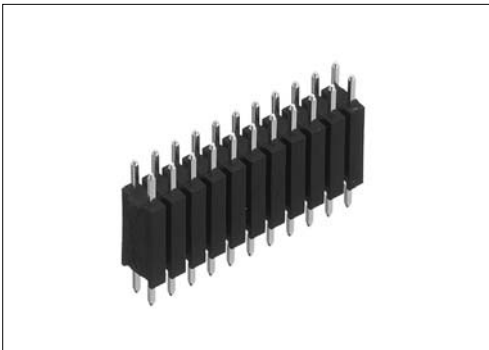


Straight DIP type male connector for PCBs

For PCBs

LPC-()MH2()

Straight DIP

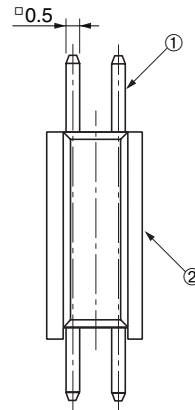
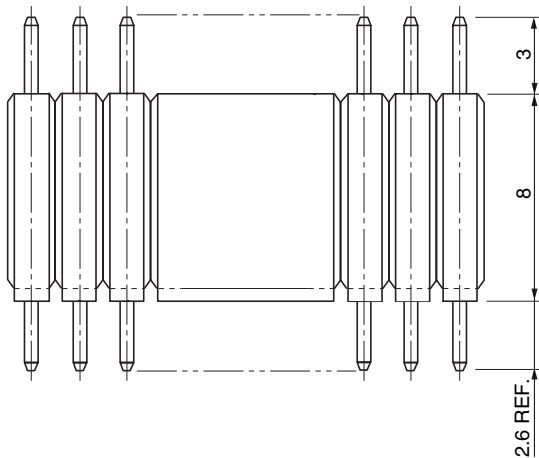
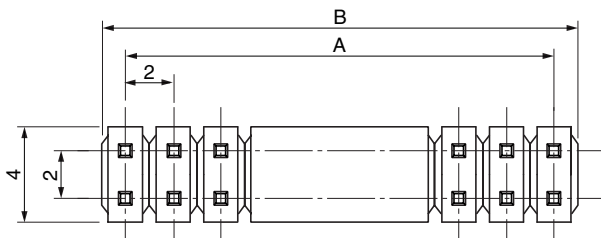


● Configuration of product Part No.

LPC- () MH2 ()

① ② ③

- ① Series name
- ② No. of contacts: 2-50
- ③ Contact plating
Blank: Tin/Lead plating
G : Gold plating



● Dimensions

| Part No. | A | B |
|--------------|----|----|
| LPC-2MH2() | - | 2 |
| LPC-4MH2() | 2 | 4 |
| LPC-6MH2() | 4 | 6 |
| LPC-8MH2() | 6 | 8 |
| LPC-10MH2() | 8 | 10 |
| LPC-12MH2() | 10 | 12 |
| LPC-14MH2() | 12 | 14 |
| LPC-16MH2() | 14 | 16 |
| LPC-18MH2() | 16 | 18 |
| LPC-20MH2() | 18 | 20 |
| LPC-22MH2() | 20 | 22 |
| LPC-24MH2() | 22 | 24 |
| LPC-26MH2() | 24 | 26 |
| LPC-28MH2() | 26 | 28 |
| LPC-30MH2() | 28 | 30 |
| LPC-32MH2() | 30 | 32 |
| LPC-34MH2() | 32 | 34 |
| LPC-36MH2() | 34 | 36 |
| LPC-38MH2() | 36 | 38 |
| LPC-40MH2() | 38 | 40 |
| LPC-42MH2() | 40 | 42 |
| LPC-44MH2() | 42 | 44 |
| LPC-46MH2() | 44 | 46 |
| LPC-48MH2() | 46 | 48 |
| LPC-50MH2() | 48 | 50 |

● Components

| | |
|---|-----------|
| ① | Insulator |
| ② | Contacts |

Because some combinations of "Configurations of Product Part No.", are under consideration for development, please contact us for availability details.

Mating connectors: LPC series of female connectors or shunt plugs