

# AC COMPONENTS

## NOISE FILTERS

### AC COMMON MODE CHOKE COIL



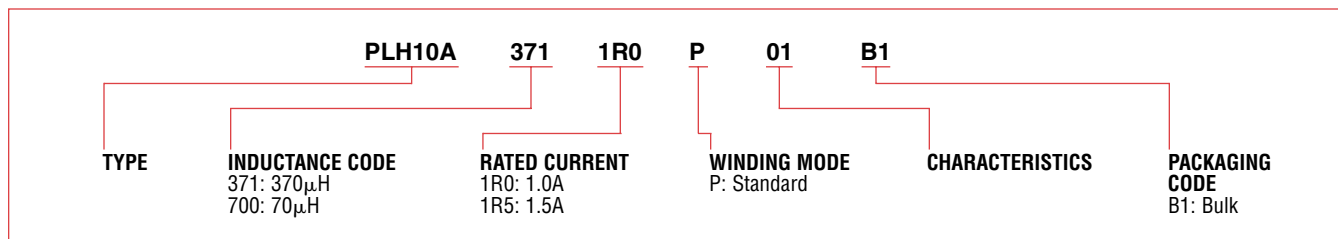
#### FEATURES

- Low profile
- High performance in high frequency range
- Compact size
- Cost effective
- Effective in unstable ground conditions

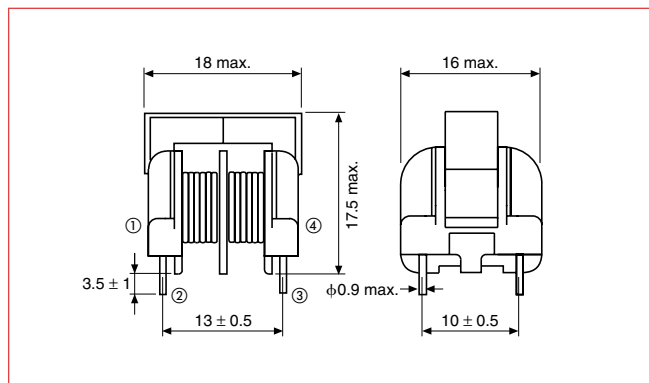
#### APPLICATIONS

- Switching power supplies
- (AC-AC converter)
- TV's
- Digital equipment
- Communications systems

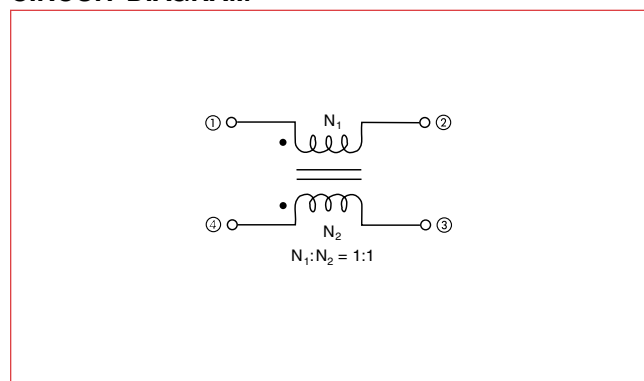
#### PART NUMBERING SYSTEM



#### DIMENSIONS: mm



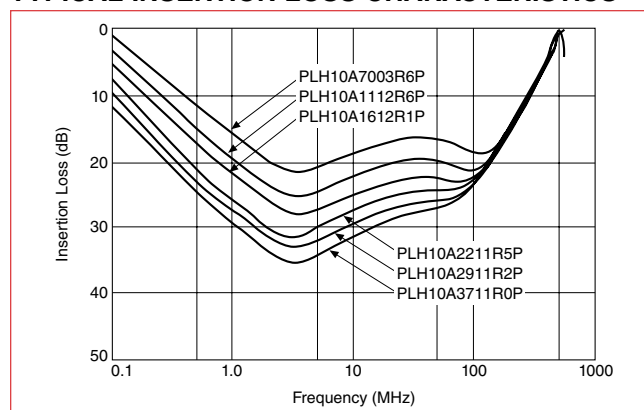
#### CIRCUIT DIAGRAM



#### RATINGS

Item	Specifications
Rated Voltage	250VAC
Withstand Voltage (Between Coils)	2000VAC, one minute
Insulation Resistance (Between Coils: 500VDC)	100M Ohms min.
Operating Temperature Range	-25°C to +60°C

#### TYPICAL INSERTION LOSS CHARACTERISTICS



#### SPECIFICATIONS

Part Number	Inductance ( $\mu$ H min.)	Rated Current (Arms)	DC Resistance (Ohms max.)
PLH10A3711R0P02B1	370	1.0	0.30
PLH10A2911R2P02B1	290	1.2	0.21
PLH10A2211R5P02B1	220	1.5	0.14
PLH10A1612R1P02B1	160	2.1	0.08
PLH10A1112R6P02B1	110	2.6	0.06
PLH10A7003R6P02B1	70	3.6	0.03

#### SAFETY STANDARDS

Safety Standards	Certificate Numbers
DIN EN60065 (VDE0860)	120966UG
IEC65	US/2896A/UL (CB Test Certificate)