

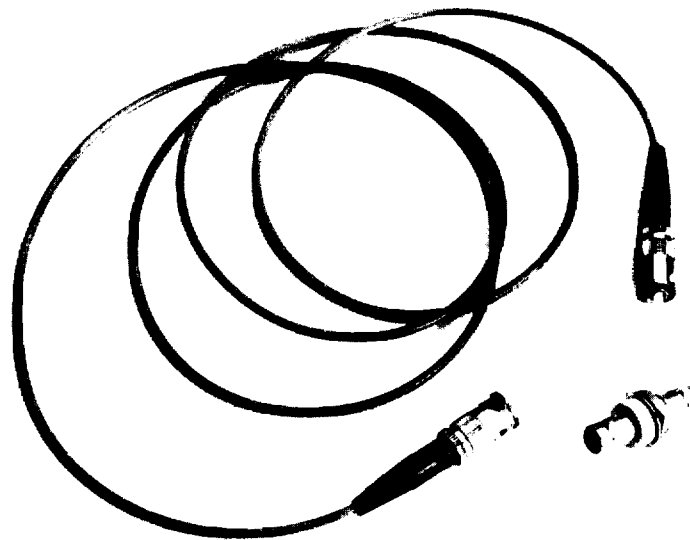
The new connector offers the same performance as the industry standard STII\* connectors, but at reduced cost to the installer.

The improved design incorporates a longer connector body which gives support to the cable and also allows easier connect/disconnect in high density applications.

### FEATURES:

- **Compatibility**  
STII compatible ramped bayonet coupling
- **Predictable High Performance**  
Less than 1dB per mated pair
- **Easy Termination**  
Can be precisely and efficiently performed in the factory or in the field
- **Cable Options**  
The improved FOCTII can be terminated onto buffered fiber (2.4 and 3.0mm diameter) or onto secondary coated fiber
- **Full Ceramic Ferrule**  
Precision alumina ferrules give durability and stability

\* STII is a Trademark of AT&T

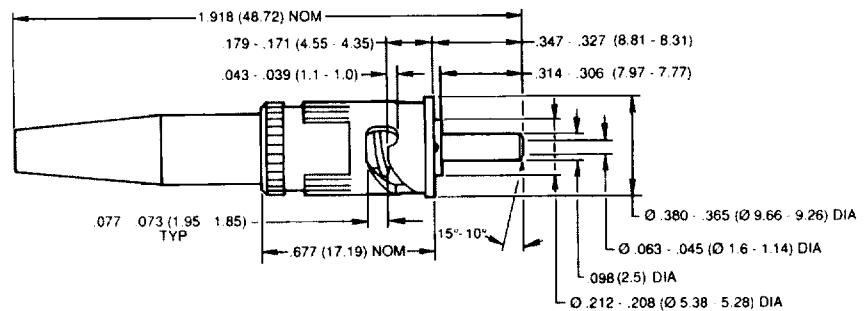


## Performance and Material Specifications

Description	Material
Ferrule:	Zirconia
Body:	Zinc Alloy (Cast)
Coupling Nut:	Zinc Alloy (Cast)
Spring:	Stainless Steel
Crimp Sleeve:	Stainless Steel
Bend Relief Boot:	Thermo Plastic Rubber
Dust Cover:	PVC

Insertion Loss:	Mean 0.4dB	(S.D. 0.2dB)
Loss Repeatability:	< 0.2dB	(1000 matings)
Temperature Stability:	± 0.1dB	( - 40°C to + 80°C)
Cable Retention:	15.9KgF	

## Connector



Description	Part Number
FOCTII Connector, multimode, 125 $\mu$ m fiber	161000-0000
FOCTII Connector, multimode, 140 $\mu$ m fiber	161000-0001
FOCTII Adapter, zirconia guide sleeve	161000-0010
*FOCTII 1 meter simplex pigtail	161001-1010
*FOCTII 3 meter simplex pigtail	161001-1030
*FOCTII 1 meter simplex patchcord	161001-2010
*FOCTII 3 meter simplex patchcord	161001-2030

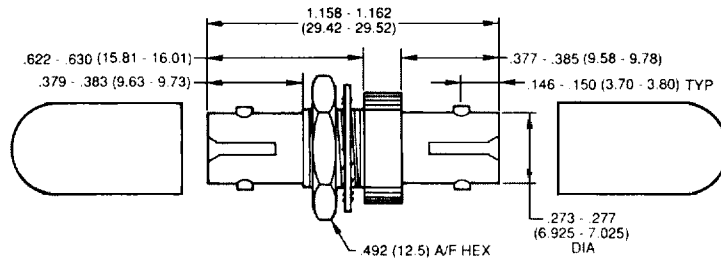
\* These harnesses are terminated on 62.5/125 $\mu$ m fiber, with 2.4mm cable. Other assemblies are available to customer requirements.

## Straight Bulkhead Adapter

P/N 161000-0010

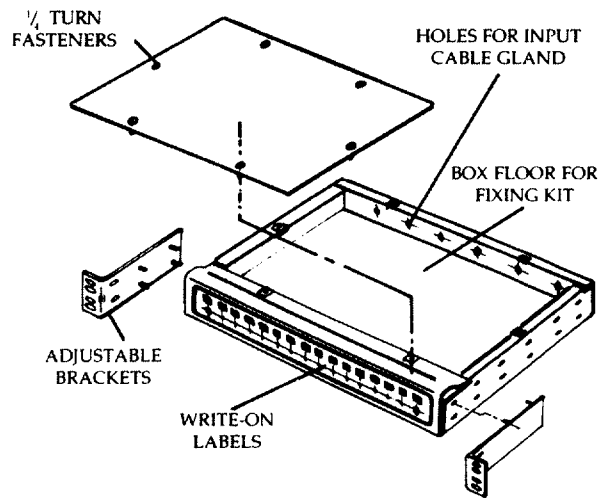
### MATERIALS AND FINISHES

Description	Material	Finish
Covers	PVC Molding	—
Lock Nut	Stainless Steel	—
Lock Washer	Stainless Steel	—
Body	Zinc Alloy	Ni-Plated



## Patch Panels

To complement the FOCTII connector range we have introduced a range of fiber optic patch panels designed to fit industry standard 19" racks. The standard panel can carry a maximum of 24 FOCTII adapters. Alternative numbers of cavities are available on request.



### TECHNICAL SPECIFICATIONS

Finish:	Matt Black
Height:	1U (approx. 1.732 (44.0))
Width:	17.32 (440) + bracket for 19" rack mounting
Depth:	9.84 (250)

Description	Part Number
16 way FOCTII 19"	078128-0000
24 way FOCTII 19"	078128-0001
Accessories Kit	320-7542-000
24 way Splice Bridge	320-7542-001