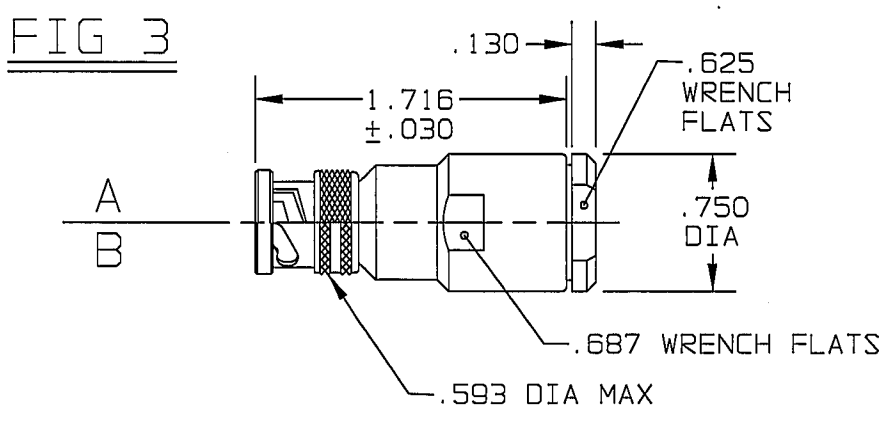
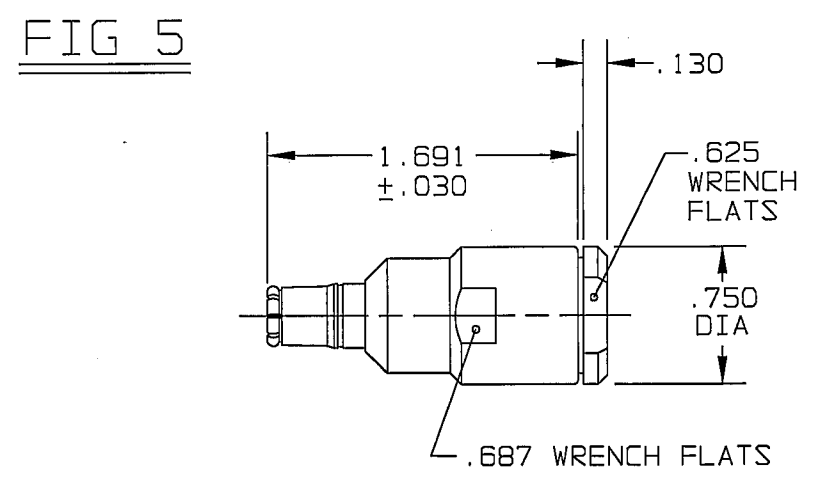
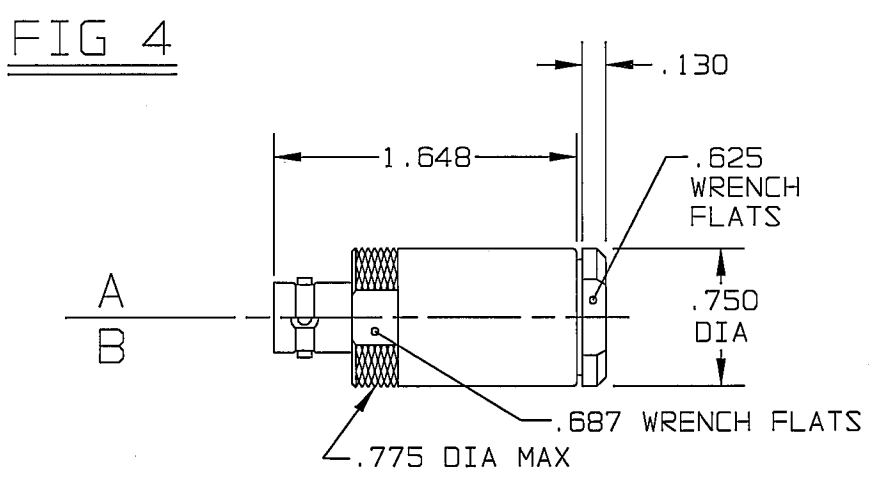
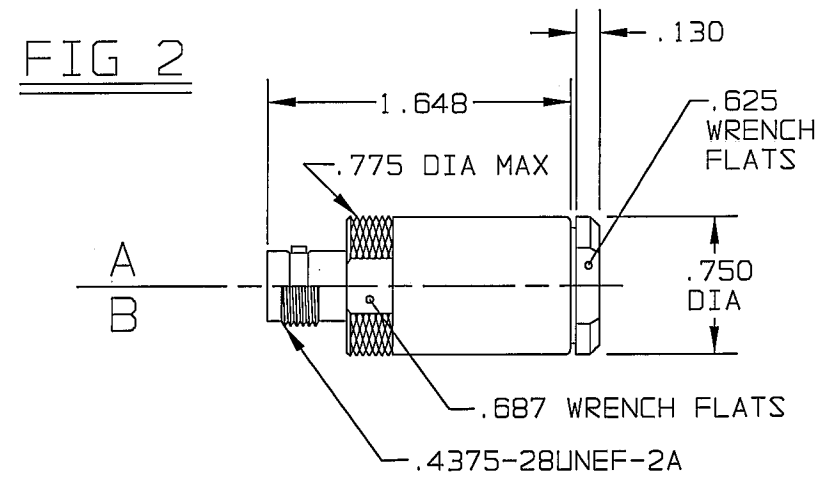
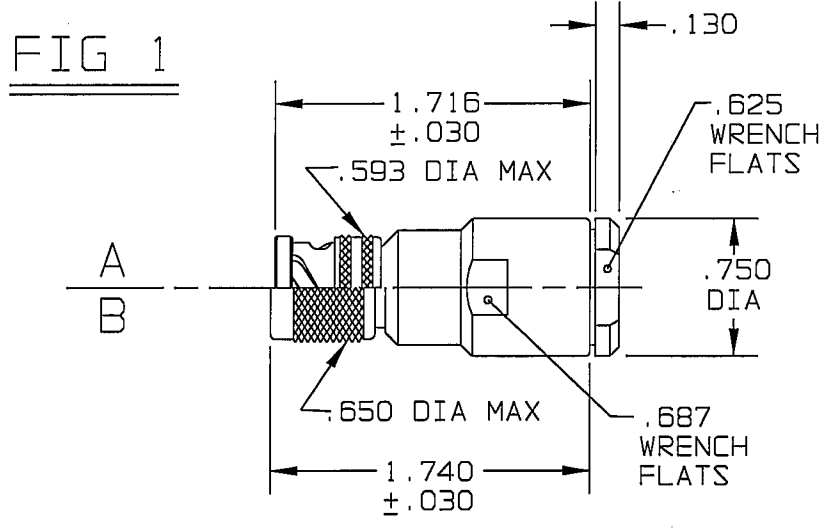


TABLE 1				
DASH NO	CONNECTOR TYPE	MATERIAL ⁴	ASSEMBLE PER	FIG
-1	PL75	310-0002-10	TAI-129	1A ⁵
-2	CJ70	3-0043-10		2A ⁵
-3	PL375	315-0011-10		1B ⁵
-4	CJ370	3-0066-10		2B ⁵
-5	PL74	310-0025-10		3A ⁵
-6	CJ70TL	3-0217-10		4A ⁵
-7	PL75FL	310-0006-10		3B ⁵
-8	CJ70FL	3-0101-10		4B ⁵
-9	PL73	310-0038-10		5 ⁵

TABLE 2 POLARIZATION CHART				
KEYING LETTER	F DEGREES	G DEGREES	H DEGREES	COLOR BAND
NONE	120°	120°	120°	NONE
T	100°	150°	110°	RED
U	120°	130°	110°	ORANGE
V	115°	130°	115°	YELLOW
W	125°	110°	125°	GREEN
X	130°	100°	130°	BLUE
Y	110°	140°	110°	VIOLET
Z	100°	160°	100°	GRAY
S	135°	135°	90°	WHITE

DATA CONTAINED IN THIS DOCUMENT IS PROPRIETARY TO TROMPETER ELECTRONICS INC. AND SHALL NOT BE DISCLOSED, COPIED OR USED FOR PROCUREMENT OR MANUFACTURE WITHOUT EXPRESS WRITTEN PERMISSION OF TROMPETER ELECTRONICS INC.

REVISIONS		305-1104	SH 1
REV	DESCRIPTION	DATE	APPROVED
C	REVISED PER ECO 15393	3/22/04	<i>WJ</i>



- ⁴ REPLACE CLAMP NUT 8-1580-10 WITH CLAMP NUT 8-1580-50
- 3. CONCENTRIC TWINAX / TRIAX, 2-LUG, 3-LUG, 4-LUG & THREADED CABLE PLUG / RECEPTACLE & PUSH-ON CABLE PLUG FOR LOCKHEED CABLE NUMBER 6815176
- 2. FINISH: TFS-1A (NICKEL)
- 1. ALL DIM ARE IN INCHES

⁵ EXAMPLE OF COMPLETE PART NO.:
305-1104-T-1
BASIC PART NO. []
POLARIZATION LETTER NONE REQ'D FOR STD POLARIZATION (SEE TABLE 2)
DASH NO. (FOR CABLE GROUP SEE TABLE 1)

RED INDICATES ORIGINAL

INTERPRET DRAWING PER MIL-STD-100 DIMENSIONS ARE IN INCHES AND INCLUDE FINISH THICKNESS UNLESS OTHERWISE SPECIFIED		TOL: UNLESS SPECIFIED .XX .XXX ±.005 .XXXX ANGLES		TROMPETER ELECTRONICS, INC.
DRAWN AAH	DATE 3-18-04	MATERIAL:	TITLE: "70" SERIES LARGE BODY- 6815176	
CHECKED <i>T. K.</i>	DATE 3-18-04	FINISH:	SIZE CAGE CODE B 14949	DRAWING NO. 305-1104
QUALITY <i>WJ</i>	DATE 3/22/04	DO NOT SCALE DWG	SCALE NONE	DATE: 8-6-97
MANUE <i>WJ</i>	DATE 3/22/04			SHEET 1 OF 1
APPROVED <i>WJ</i>	DATE 3/22/04			REV. C
NEXT ASSY	CAD FILE NO. 305-1104C			