

Tous droits strictement réservés. Reproduction ou communication à des tiers interdite sous quelque forme que ce soit sans autorisation écrite du propriétaire. Propriété de c FCI. Droits de reproduction FCI.

All rights strictly reserved. Reproduction or issue to third parties in any form whatever is not permitted without written authority from the proprietor. Property of FCI. Copyright FCI.

PRODUCT NUMBER

5 4 1 0 1 - X X X - X X - X X X X

PLATING
 S= 15µm[0.38µm]GOLD ON CONTACT AREA
 150µm[3.81µm]TIN/LEAD ON TAIL
 G= 30µm[0.76µm]GOLD ON CONTACT AREA
 150µm[3.81µm]TIN/LEAD ON TAIL
 T= 150µm[3.81µm]TIN/LEAD ON CONTACT AREA AND ON TAIL

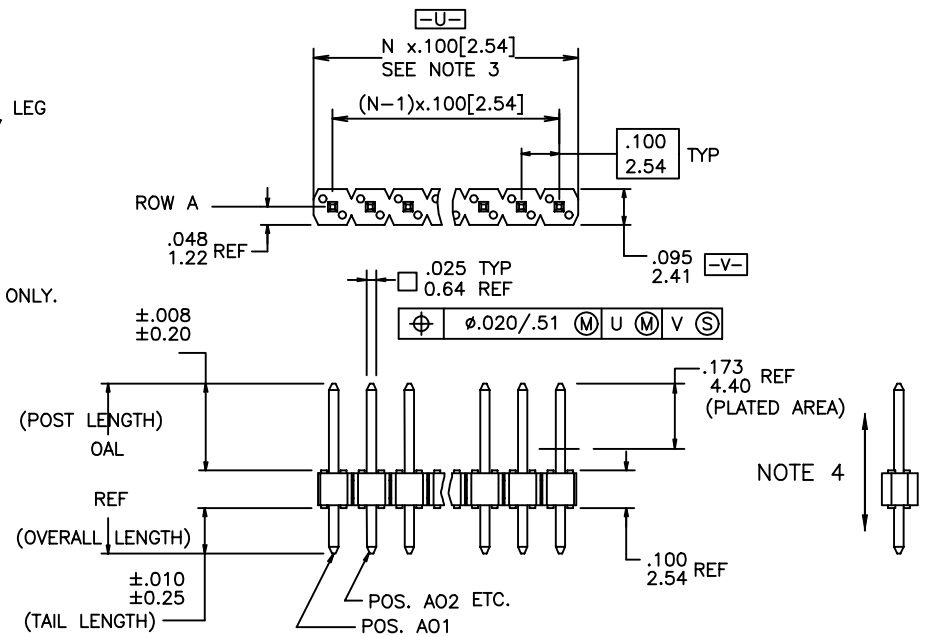
RETENTION
 R=RETENTIVE LEG
 NOTE 5 & 7

POLARIZATION
 NOTE 7 & 9

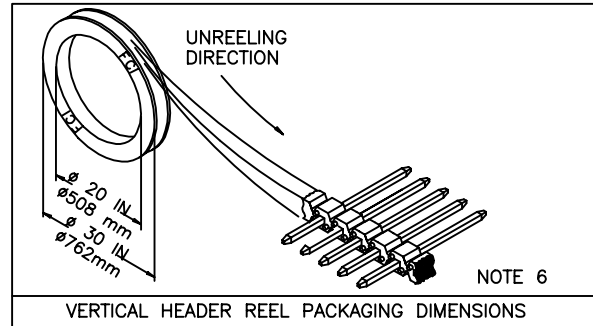
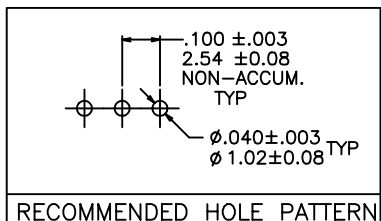
POSITIONS PER ROW
 01 TO 36 NOTE 10

POSITIONS PER REEL
 00=36,000 (BERGSTRIK)
 PIN STYLES 5, 6, 8, 10, 30, 32 ONLY.

PIN STYLE	POST	TAIL	OAL
05	0.230/5.84	0.095/2.41	0.425/10.80
06	0.230/5.84	0.110/2.79	0.440/11.18
08	0.230/5.84	0.120/3.05	0.450/11.43
10	0.230/5.84	0.150/3.81	0.480/12.19
12	0.230/5.84	0.300/7.62	0.630/16.00
14	0.230/5.84	0.400/10.16	0.730/18.54
16	0.230/5.84	0.500/12.70	0.830/21.08
18	0.230/5.84	0.600/15.24	0.930/23.62
20	0.230/5.84	0.700/17.78	1.030/26.16
22	0.230/5.84	0.800/20.32	1.130/28.70
24	0.230/5.84	0.900/22.86	1.230/31.24
26	0.230/5.84	1.000/25.40	1.330/33.78
30	0.318/8.08	0.120/3.05	0.538/13.67
32	0.318/8.08	0.150/3.81	0.568/14.43
34	0.318/8.08	0.212/5.38	0.630/16.00
36	0.318/8.08	0.312/7.92	0.730/18.54
38	0.318/8.08	0.712/18.08	1.130/28.70
40	0.318/8.08	0.912/23.16	1.330/33.78
42	0.520/13.21	0.110/2.79	0.730/18.54
44	0.620/15.75	0.110/2.79	0.830/21.08
46	0.720/18.28	0.110/2.79	0.930/23.62
48	0.820/20.83	0.110/2.79	1.030/26.16
50	1.020/25.91	0.110/2.79	1.230/31.24
52	0.380/9.65	0.150/3.81	0.630/16.00



- NOTES:
- HOUSING MAT'L: HIGH TEMPERATURE THERMOPLASTIC. UL94V-0
COLOR: BLACK
 - PIN MATERIAL: PHOSPHOR-BRONZE
 - TO DETERMINE DIMENSIONS:
N = NUMBER OF POSITIONS PER ROW.
EXAMPLE: 10 POS., N x .100[2.54]=1.00[25.40].
2LBS/0.9KG MIN. PIN RETENTION IN EITHER DIRECTION.
 - RETENTIVE LEG APPLICABLE TO TAIL LENGTH .120/3.05 ONLY. (4 PINS PER PART HAVE RETENTION)
5LB/2.3KG MAX INSERTION FORCE AND .25LB./1KG MIN RETENTION FORCE
PER RETENTIVE PIN USING .062/1.57 THICK CIRCUIT BOARD AND RECOMMENDED HOLE PATTERN. RETENTIVE LOCATION AT THE DISCRETION OF THE MANUFACTURER. IF FEATURE IS NOT APPLICABLE, REMOVE FROM PRODUCT NUMBER.
 - BERGSTIK PACKAGED IN POLY BAGS. BERGSTRIK PACKAGED PER REEL.
 - POLARIZATION AND RETENTION NOT APPLICABLE TO BERGSTRIK.
 - UNDERPLATING: 50µm/1.27µm Ni.
 - FOR POLARIZATION SPECIFY POSITION NUMBER (i.e.. A03=ROW A POS. 3)
TO OMIT PIN.
IF FEATURE IS NOT APPLICABLE, REMOVE FROM PRODUCT NUMBER.
 - POSITIONS PER ROW 37 TO 50 CAN BE PRODUCED, BUT FLATNESS AND CURVATURE MAY NOT BE HELD AS CLOSE AS 36 POSITION.



mat'l. code SEE NOTES 1 & 2		tolerances unless otherwise specified		CUSTOMER COPY		FCI Electronics www.fciconnect.com	
ltr	ecn no	dr	date	.XX ±.01/.X±.3	projection	title	
A	V92811	DAI	08/24/99	linear	.XXX ±.005/.XX±.13	.100/2.54mm UNSHROUDED HEADER	
B	V94313	DAI	11/3/99		.XXX ±.0020/.XXX±.051	SINGLE ROW, VERTICAL, THRU HOLE	
C	V01833	MDF	7/18/00	angles	0° ±2°	product family BERGSTIK	
D	V01968	MDF	8/7/00	dr	D.INGRAM	05/10/99	code 213
E	V02373	AZ	10/02/00	enr	H.SUNDY	07/15/99	sheet 1 of 1
F	V12228	DAI	09/17/01	chr	H.SUNDY	07/15/99	
G	V20160	GIP	01/23/02	appd	H.SUNDY	07/21/99	
sheet index	revision	G	1				