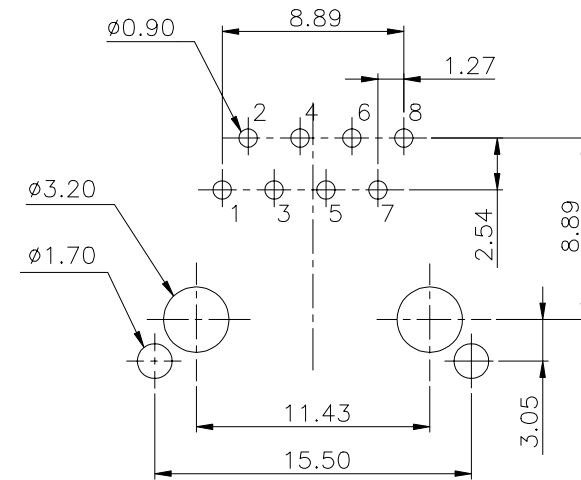
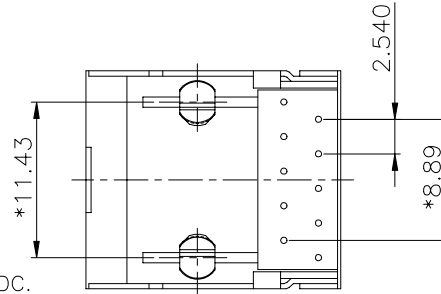
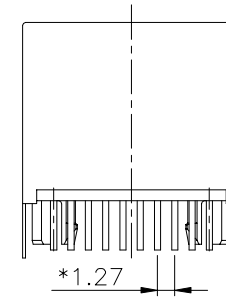
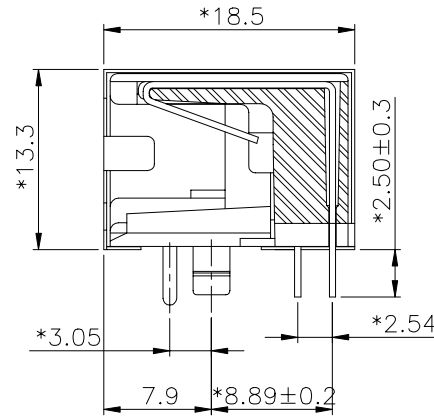
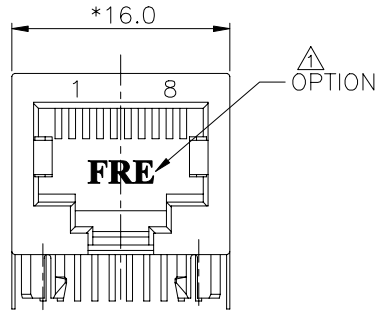


REVISION RECORD				
REV	ECO	DESCRIPTION	DRFT	CHKD
1		MODIFY DRAWING	ANKUE 08/15/06	



PC Board Layout Component Side Shown

**NOTES:**

**ELECTRICAL:**

- VOLTAGE RATING : 125 VAC RMS.
- CURRENT RATING : 1.5 AMP.
- CONTACT RESISTANCE : 40 MILLIOHMS MAX.
- INSULATION RESISTANCE: 1000 MEGOHMS MIN @ 500 VDC.
- DIELECTRIC STRENGTH : 1000 VAC RMS 60Hz, 1MIN.

**MECHANICAL:**

- HOUSING MATERIAL : PBT+GF30% UL94V-0.\COLOR:BLACK
- INSERT MATERIAL : PBT+GF30% UL94V-0.\COLOR:BLACK
- CONTACT MATERIAL : PHOSPHOR BRONZE  $\phi 0.46\text{mm}$ .
- PLATING : GOLD PLATING OVER NICKEL.
- OPERATING LIFE : 750 CYCLES MIN.
- PCB RETENTION PRE-SOLDER : 1 LB MIN.
- PCB RETENTION POST-SOLDER: 10 LBS MIN.
- SHIELD PLATING : NICKEL PLATING OVER BRASS .

**ENVIRONMENTAL:**

- STORAGE :  $-40^{\circ}\text{C}$  TO  $+85^{\circ}\text{C}$ .
- OPERATION:  $-40^{\circ}\text{C}$  TO  $+85^{\circ}\text{C}$ .
- WAVE SOLDERING TEMPERATURE:  $230\sim 250^{\circ}\text{C}$  (3~5 SECONDS).

4. RoHS COMPLIANT.

MATES WITH MODULAR PLUG CONFORMING TO FCC PART 68, SUBPART F.

CUL FILE NO. E163191

PART NUMBER: E560X-XX002X-L

NO. OF CONTACT:	1- 3u"	2- 6u"
8-8 CONTACTS	3-15u"	4-30u"
1-10 CONTACTS	5-50u"	6-Pd 20u"

SHIELD AND OPTION:  
 0E-SHIELD PLATED TIN W/"FRE" LOGO  
 3E-SHIELD PLATED NICKEL W/O LOGO  
 4E-SHIELD PLATED NICKEL W/"FRE" LOGO

MM (INCH)		DFTO QSJ	DATE 04/11/05"
TOLERANCES EXCEPT AS NOTED		CHKD ASHELLY	DATE 2006/8/15
		MFO	DATE
		APPVL LUSHENG	DATE 2006/8/15
MM		MATERIAL :	
.0 ± 0.2	±	QT'Y :	
.00 ± 0.15	±	FINISH :	
.000 ± 0.075	±	SCALE : 5:2	
ANGLES ± 0.5		THIRD ANGLE PROJECTION	



RoHS Compliant

FULL RISE ELECTRONIC CO., LTD

TITLE  
17.6 SIDE ENTRY JACK 10P

DRAWING NO. GE563042-LC SIZE A3 REV 1  
 /PART NO. SEE NOTE

DO NOT SCALE DRAWING SHEET 1 OF 1