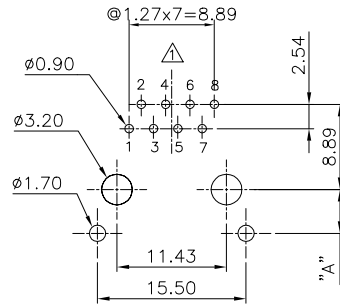
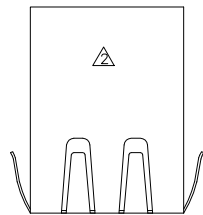
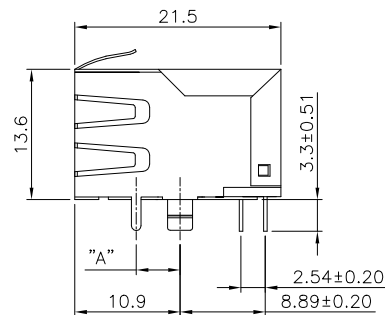
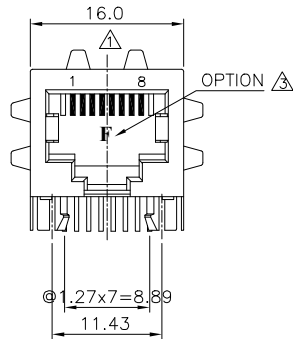


A1RFRD10

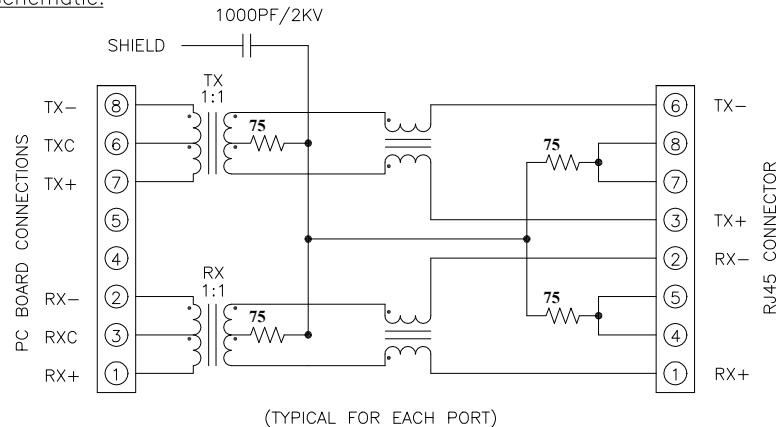
		MODIFY DRAWING		ZJP	REVISION RECORD				
△				06/30/03	REV	ECO	DESCRIPTION	DRFT	CHKD
△		ADD P/N		SHU	08/19/04				
△		ADD P/N		SUNLL	02/23/05	△	MODIFY DRAWING	7/20/01 CH	
△						△	MODIFY DRAWING	08/20/02 LUSHENG	



PC Board Layout  
Component Side Shown



Schematic:



NOTES:

Characteristics Description:

1. RJ45 10/100 Base-Tx Transformer Jack With Transformer/ Impedance Resistor/High Voltage Capacitor.
2. Size Same As RJ-45 Modular Jack To Save PCB Board Space.
3. Reduce EMI Radiation, Improve EMI Performance.
4. Designed For Network Interface Card Application.
5. Designed To Meet IEEE 802.3u Requirement.
6. Designed For 100 Base Transmission over UTP-5 Cable.
7. Operation Temperature Range: 0°C To 70°C

Electrical Specification:

1. Inductance At 100 KHZ, 100 mV DC Bias: 350 uH MIN
2. C W/W (PF MAX): 28 PF
3. Leakage Inductance At 100 KHZ DC 100 mV: 0.3 uH MAX
4. Insertion Loss: 1.0 dB MAX @ 1-80 MHZ  
1.2 dB MAX @ 100 MHZ
5. Return Loss: 14 dB MIN @ 1-60 MHZ  
10 dB MIN @ 60-100 MHZ
6. Cross Talk: 35 dB MIN @ 1-80 MHZ
7. ISOLATION VOLTAGE @60HZ:1500Vrms(INPUT TO OUTPUT) 60SEC. △

Mechanical:

1. Housing Material : Glass Filled Polyester UL94V-0 OR FR52. △
2. Contact Mateial : Phosphor Bronze t=0.35mm.
3. Plating : 1: Contact Area- Selectine Gold Plating.  
2: Tails-Tin-Lead Over Nickel OR Lead Free. △
4. Operating Life : 750 Cycles Min.
5. Pcb Retention Pre-Solder : 1 Lb Min.
6. Pcb Retention Post-Solder : 10 Lbs Min.

Environmental:

1. Storage : -40°C To+85°C.

Mates With Modular Plug Conforming To  
Fcc Part 68, Subpart F.  
(W/TIN)Part Number:E5TAB-XX0X1X

	FRONT PEG 3.05	FRONT PEG 3.68	FRONT PEG 4.57
"A"	3.05	3.68	4.57

- △ 1- W/O TAB
  - △ 2- W/TOP TAB
  - G- W/ TOP & SIDE TABS
  - 3- TIN
  - 4- NICKEL
  - 8- NICKEL PLATED WITH TINNED GROUNDING PEG
  - △(LEDA FREE) Part Number:E5TAB-10UPXX-L
- 10-W/O TAB FRONT PEG 4.57
- 1- 3u" 2- 6u" 3-15u"  
4-30u" 5-50u"  
1- FRONT PEG 4.57  
4- FRONT PEG 3.68  
C- FRONT PEG 3.05
- 1- 3u" 2- 6u" 3-15u"  
4-30u" 5-50u"  
W/O LOGO  
W/"F" LOGO

MM (INCH)		DFTO Garvey	DATE 10/17/00'	FULL RISE ELECTRONIC CO., LTD	
TOLERANCES EXCEPT AS NOTED		CHKD SHU	DATE2005/2/23	TITLE	
		MFO	DATE	TRANSFORMER PCB JACK (1 PORT)	
DETAILED LISTS		APPVLLUSHENG	DATE2005/2/24	DRAWING NO. GE5T3A12	
MM				/PART NO. SEE NOTE	
.0 ±0.20 ±				SIZE A3	
.00 ±0.15 ±				REV 5	
.000 ±0.075 ±				02/23/05	
ANGLES ± 0.5		QT'Y :		DO NOT SCALE DRAWING	
THIRD ANGLE PROJECTION		FINISH :		SHEET 1 OF 1	
		SCALE : 2 : 1			