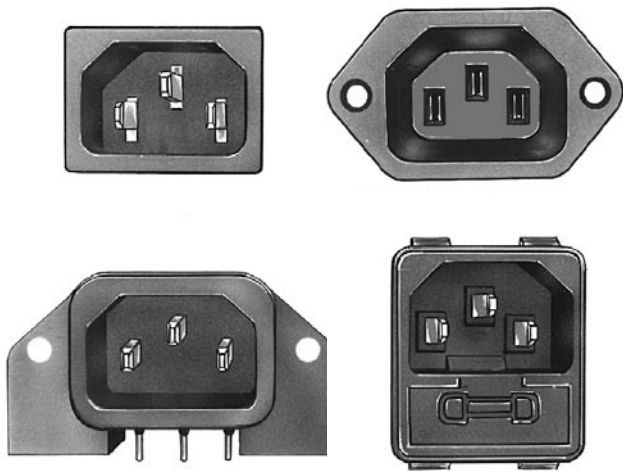


AC Inlet/Outlet IEC 320 Connectors - M32 Series NEMA Receptacles - M33 Series



SPECIFICATIONS:

Material:

Insulator: Polycarbonate rated UL 94V-0

Insulator color: Black

Contacts: Brass QQ-B-626

Plating:

Contacts: 50 µin bright nickel to QQ-N-290, Class 2, Grade C

Terminals: 100 µin min bright tin plate to MIL-T-10727, Type 1 with 50 µin min copper underplate to MIL-C-14550

Electrical:

Operation voltage: 250 VAC max

Current rating: 10/15 Amps max

Contact resistance: 20 mΩ max

Insulation resistance: 1000 MΩ min @ 1500 VAC between adjacent contacts (75°F and 50% R.H.)

Dielectric withstanding voltage: 1500 VAC min RMS (sea level)

Environmental:

Operating temperature: -65°C to +125°C

MATING OPTIONS:

Mates with all industry standard IEC power cord sets

PACKAGING:

Anti-static plastic bags or corrugated boxes available

APPROVALS AND CERTIFICATIONS:



Select parts recognized under the component program of Underwriters Laboratories, Inc. No. E155862 E130225 and Certified by Canadian Standards Association No. LR700969

IEC 320 CONNECTORS

PART NUMBER LEGEND

M320 - XX - X

TERMINALS

- 1 = .187" Quick-connect terminals
- 2 = .250" Quick-connect terminals
- 3 = Solder terminals (4.0mm)
- 4 = Right angle PC board mount

BODY STYLE

- 01 = Male Inlet, screw-on panel mount
- 02 = Female Outlet, screw-on panel mount
- 03 = Male Inlet, snap-in panel mount
- 04 = Female Outlet, snap-in panel mount
- 05, 06, 07 = Male inlet, right angle PC board mount with mounting flange
- 09 = Male Inlet, screw on panel mount with 5 x 20mm fuse holder
- 10 = Male Inlet, snap-in panel mount with 5 x 20mm fuse holder
- 11 = Inlet/Outlet, snap-in panel mount
- 12 = Inlet/Outlet, snap-in panel mount, right angle PCB mount
- 13 = Male Inlet, right angle PCB & tail with snap-in panel mounting, panel thickness = 1.5mm
- 14 = Male Inlet, right angle PCB & tail with snap-in panel mounting, panel thickness = 1.0mm
- 15 = Male Inlet, right angle PCB & tail with snap-in panel mounting, panel thickness = 2.0mm
- 16 = Male Inlet, right angle PCB & tail with snap-in panel mounting, panel thickness = 3.0 mm

IEC 320 CONNECTOR

NEMA RECEPTACLES

PART NUMBER LEGEND

M330 - 5 - XX

TERMINALS

- 06 = .187" Quick-connect with 45° tab
- 07 = .187" Quick-connect with 90° tab
- 08 = Slotted terminal for connecting receptacles in tandem
- 09 = IDC Connector for 12-14 AWG wire
- 10 = IDC Connector for 16-18 AWG wire

NEMA RECEPTACLE



North and South America:

Methode Electronics, Inc. Connector Products

1700 Hicks Road • Rolling Meadows, IL 60008 USA

847-392-3500 • Toll Free: 800-323-6864 • Fax: 847-392-9404

Email: info@methode.com • Web: www.methode.com/connector/index.html

Europe:

Methode Electronics Ireland, Ltd.

Unit H, Crossagalla Business Park, Ballysimon Rd. • Limerick, Ireland

+353 (0) 61 401222 • Fax: +353 (0) 61 401942

Email: info@methode.ie • Web: ireland.methode.com/main.html

Far East:

Methode Electronics Far East, Pte. Ltd.

1 Tuas Lane, Jurong Town • Singapore 638610

65-68615444 • Fax: 65-68614777

Email: sales@methode.com.sg • Web: www.methode.com/mefe/index.html

AC Inlet/Outlet IEC 320 Connectors - M32 Series



Technical drawings for Body Style '03' showing front, side, and panel cut-out views with dimensions.

Dimensions: 1.220 [31.00], .945 [24.00], .945 [24.00], 1.051 [26.70], .800 [20.32], .118 [3.00], .748 [19.00], 1.020 [25.91], .540 [13.72], .300 [7.62]

Panel Cut-Out

BODY STYLE "03"

TERMINAL OPTIONS		
1	2	3
187" Q.C.	.250" Q.C.	Solder Lug

Panel Thickness - 1.5mm - 3.0mm

Horizontal terminal type also available - Consult factory.

Technical drawings for Body Style '05, 06, 07' showing front, side, and panel cut-out views with dimensions.

Dimensions: 1.929 [49.00], 1.575 [40.00], .590 [15.00], .669 [17.00], 1.024 [26.00], .62 [15.7], $\phi .138 [3.50] 2X$, .138 [3.50], .059 [1.50], B, .118 [3.00], 1.200 [30.50], $\phi .138 [3.50] 2X$, .540 [13.70], .342 [8.70], 1.220 [31.00], .906 [23.00], 1.575 [40.00]

Panel Cut-Out

BODY STYLE "05, 06, 07"

Unit: Inch / mm

Dimensional:		
BODY STYLE	A	B
05	.287" (7.30)	.276" (7.00)
06	.287" (7.30)	.358" (9.10)
07	.382" (9.70)	.276" (7.00)

PC Board Layout

Dimensions: Dia .142 [3.60], 1.575 [40.00], Dia .059 [1.50], A, B

AC Inlet/Outlet IEC 320 Connectors - M32 Series



BODY STYLE "02"

TERMINAL OPTIONS		
1	2	3
.187" Q.C.	.250" Q.C.	Solder Lug

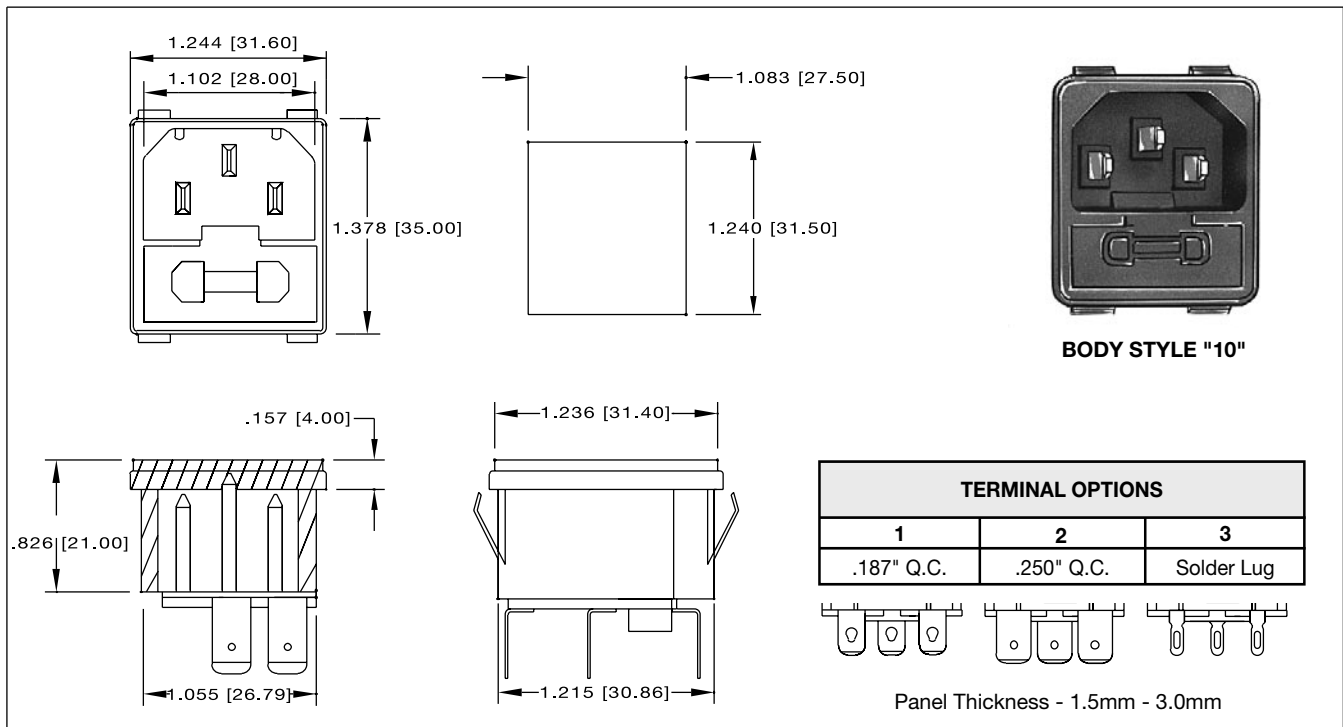
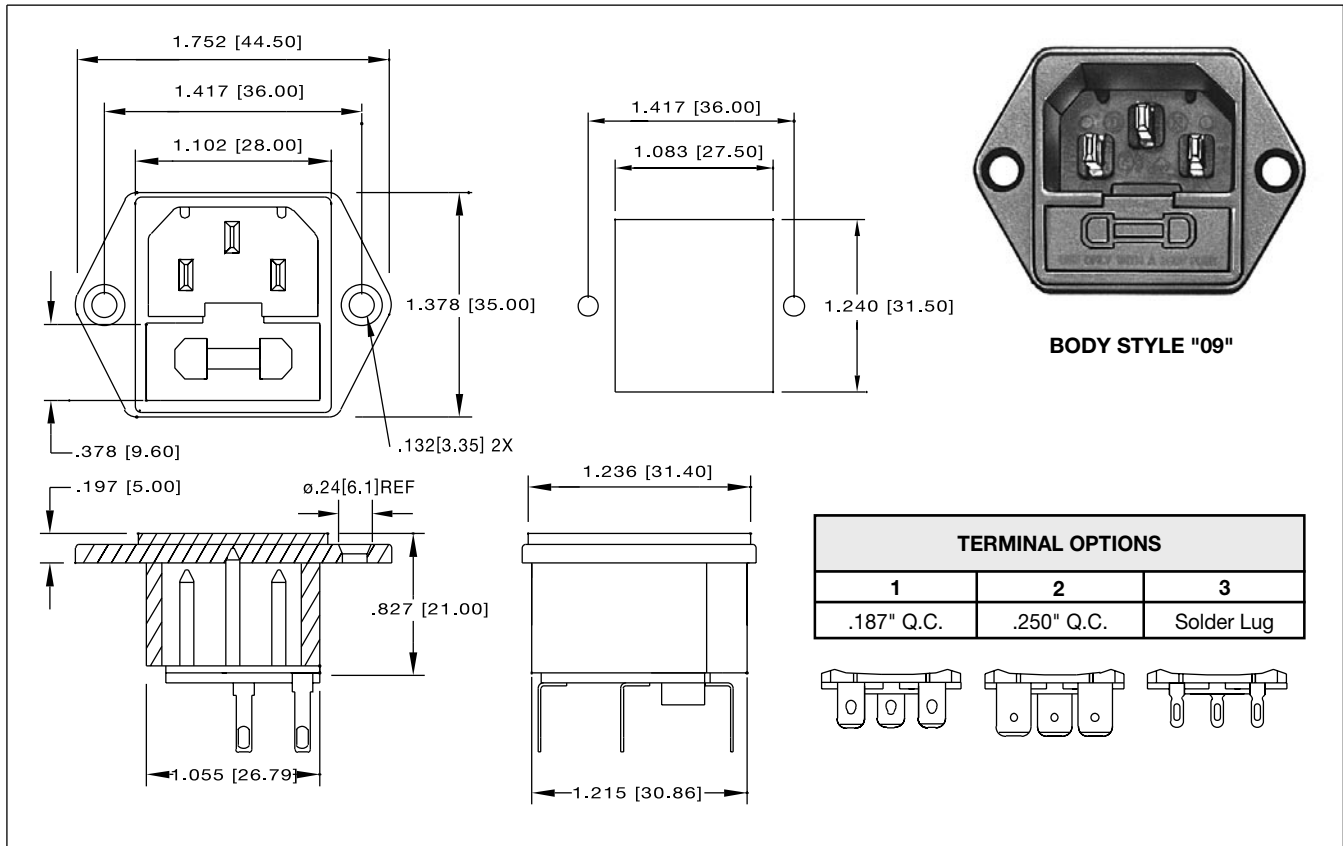
BODY STYLE "04"

TERMINAL OPTIONS		
1	2	3
.187" Q.C.	.250" Q.C.	Solder Lug

Panel Thickness - 1.5mm - 3.0mm



AC Inlet/Outlet IEC 320 Connectors - M32 Series



North and South America:
Methode Electronics, Inc. Connector Products
 1700 Hicks Road • Rolling Meadows, IL 60008 USA
 847-392-3500 • Toll Free: 800-323-6864 • Fax: 847-392-9404
 Email: info@methode.com • Web: www.methode.com/connector/index.html

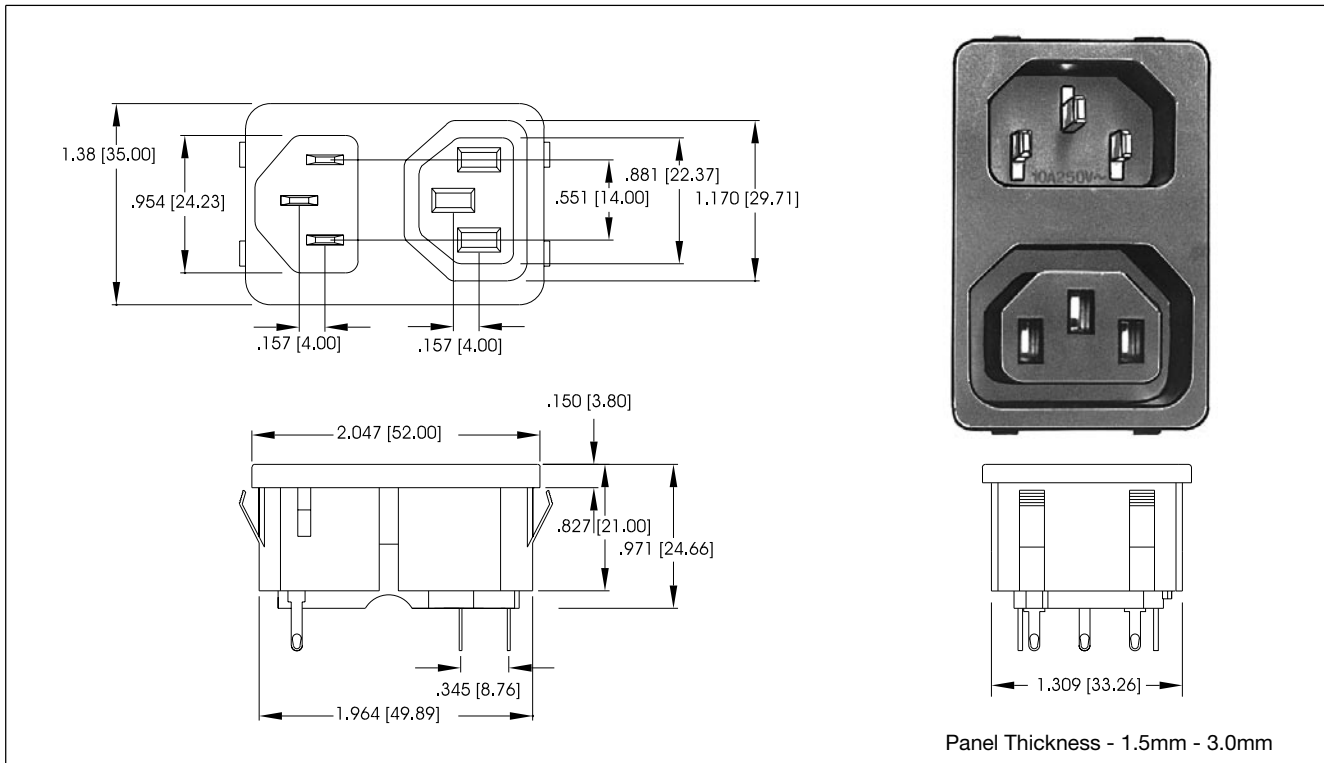
Europe:
Methode Electronics Ireland, Ltd.
 Unit H, Crossagalla Business Park, Ballysimon Rd. • Limerick, Ireland
 +353 (0) 61 401222 • Fax: +353 (0) 61 401942
 Email: info@methode.ie • Web: ireland.methode.com/main.html

Far East:
Methode Electronics Far East, Pte. Ltd.
 1 Tuas Lane, Jurong Town • Singapore 638610
 65-68615444 • Fax: 65-68614777
 Email: sales@methode.com.sg • Web: www.methode.com/mefe/index.html

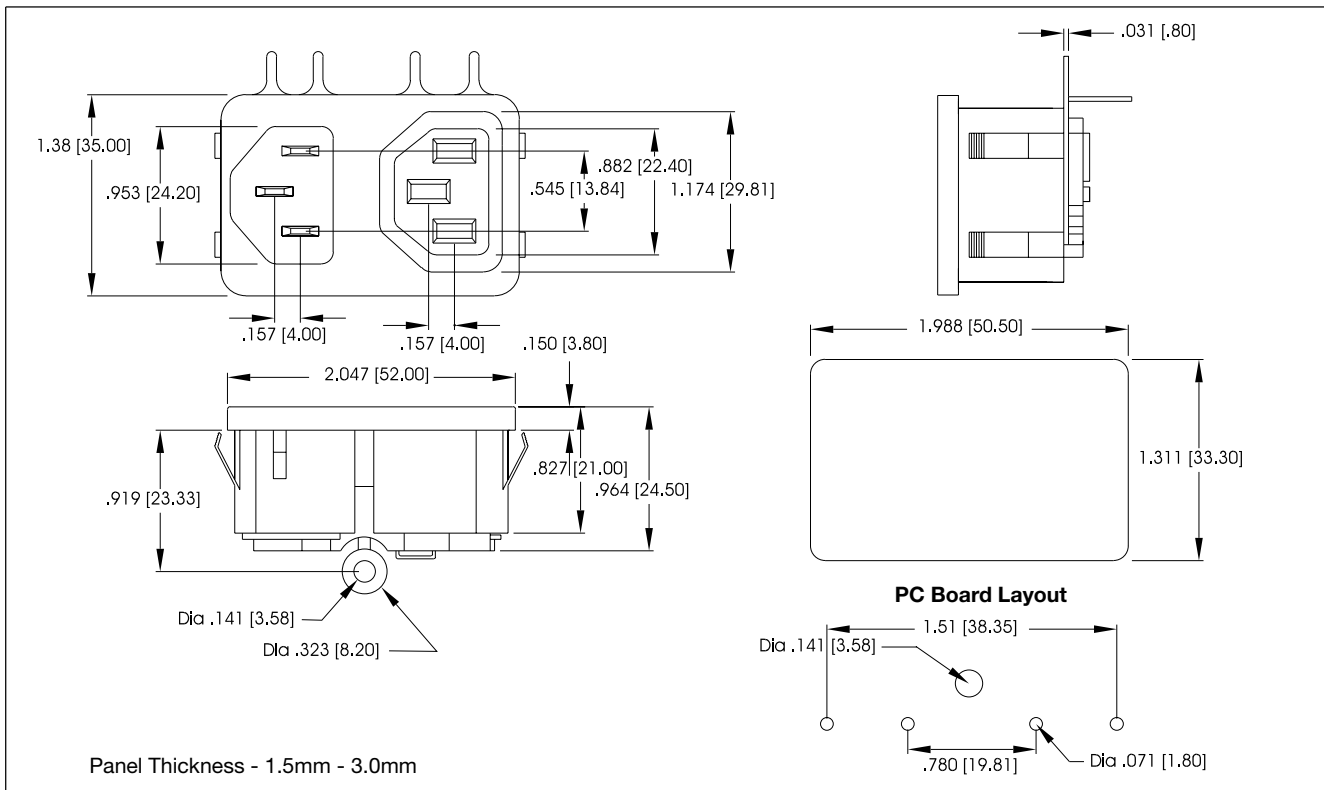
AC Inlet/Outlet IEC 320 Connectors - M32 Series



BODY STYLE - "11"



BODY STYLE - "12"



North and South America:

Methode Electronics, Inc. Connector Products

1700 Hicks Road • Rolling Meadows, IL 60008 USA

847-392-3500 • Toll Free: 800-323-6864 • Fax: 847-392-9404

Email: info@methode.com • Web: www.methode.com/connector/index.html

Europe:

Methode Electronics Ireland, Ltd.

Unit H, Crossagalla Business Park, Ballysimon Rd. • Limerick, Ireland

+353 (0) 61 401222 • Fax: +353 (0) 61 401942

Email: info@methode.ie • Web: ireland.methode.com/main.html

Far East:

Methode Electronics Far East, Pte. Ltd.

1 Tuas Lane, Jurong Town • Singapore 638610

65-68615444 • Fax: 65-68614777

Email: sales@methode.com.sg • Web: www.methode.com/mefe/index.html