

OPA5516

Pure Green LED Chip

GaP/GaP

1. Material Substrate GaP (N Type)
Epitaxial Layer GaP (P/N Type)

2. Electrode N(Cathode) Side Gold Alloy
P(Anode) Side Gold Alloy

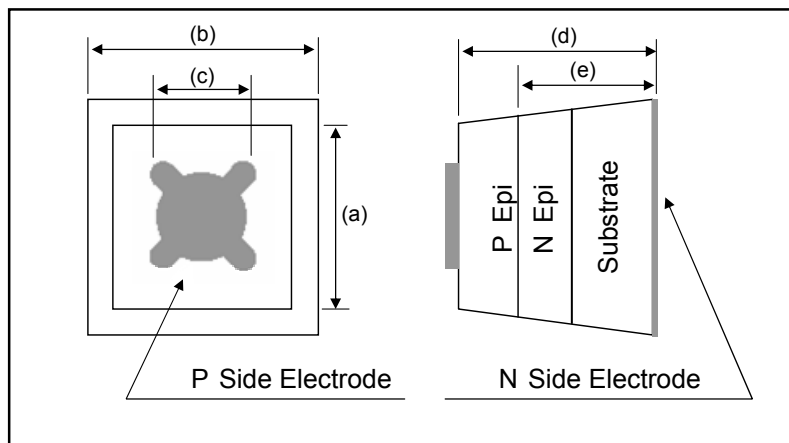
3. Electro-Optical Characteristics

Parameter	Symbol	Min	Typ	Max	Unit	Condition
Forward Voltage	$V_{F(1)}$		1.8		V	IF=1mA
	$V_{F(2)}$		2.37	2.5	V	IF=20mA
Reverse Voltage	V_R	8			V	IR=10uA
Brightness	Iv	100	150		mcd	IF=20mA
Wavelength	λ_d		560		nm	IF=20mA
	$\Delta\lambda$		24		nm	IF=20mA

※ Note : Brightness is measured by Sorter E/T system with bare chip.

4. Mechanical Data

- (a) Emission Area ----- 10mil x 10mil
- (b) Bottom Area ----- 11mil x 11mil
- (c) Bonding Pad ----- 115um
- (d) Chip Thickness ----- 11mil
- (e) Junction Height ----- 10.5mil



AUK Corp.

Eoyang factory, 513-5 Eoyang-dong, Iksan, 570-210, Korea

Tel. +82 63 839 1111 Fax. +82 63 835 8259

www.auk.co.kr

