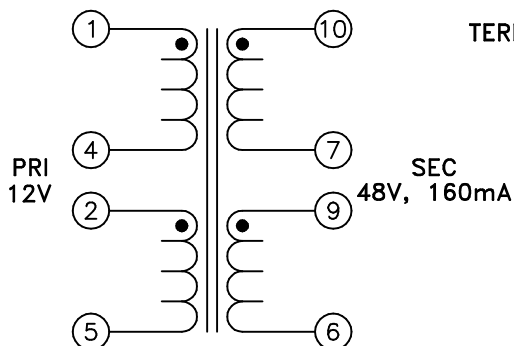
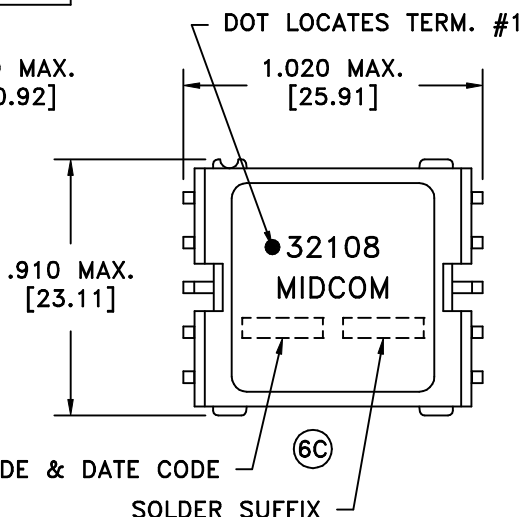
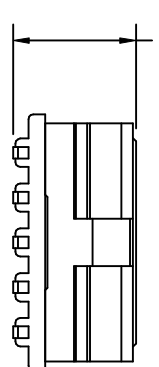
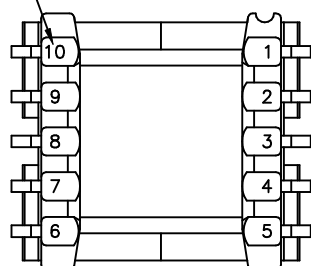
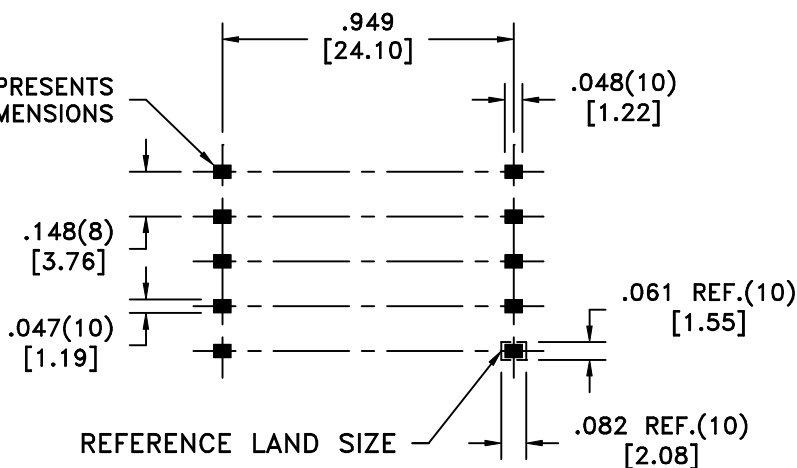


SOLDER SUFFIX	CUSTOMER TERMINAL	RoHS	LEAD(Pb)-FREE	(6C)
	Sn63%, Pb37%	No	No	
LF1	Sn96%, Ag4%	Yes	Yes	

TERM. NO.'s FOR REF. ONLY



AREA REPRESENTS TERMINAL PAD DIMENSIONS



CUSTOMER TO DETERMINE LAND LAYOUT

ELECTRICAL SPECIFICATIONS @ 25°C unless otherwise noted:

- D.C. RESISTANCE (@20°C):
 1-4, 0.06 ohms max.
 2-5, 0.06 ohms max.
 6-9, 1.20 ohms max.
 7-10, 1.20 ohms max.
- DIELECTRIC RATING: 1500VAC, 1 minute tested by applying 1875VAC for 1 second between 1-10(tie 2+4, 7+9).
- INDUCTANCE: 47.0uH ±12%, 100kHz, 1.0VAC, 1-4, Ls.
- LEAKAGE INDUCTANCE: 2.0uH max., 100kHz, 100mVAC, 1-5(tie 2+4, 6+10, 7+9), Ls.
- TURNS RATIO:
 (2-5):(1-4) = 1:1, ±1%.
 (9-6):(1-4) = 4:1, ±1%.
 (10-7):(1-4) = 4:1, ±1%.

Designed to comply with the following requirements as defined by IEC60950-1, EN60950-1, UL60950-1/CSA60950-1 and AS/NZS60950.1:
 - Basic insulation for a primary circuit at a working voltage of 50VDC.

Midcom, Inc. Watertown, SD USA Toll Free: 800-643-2661 Fax: 605-886-4486	Unless otherwise specified: Tolerances: Fractions: ±1/64 Angles: ±1° Decimals: ±.005 [.13]			DWG.# 32108R/-LF1
	DRAWING TITLE <h2 style="text-align: center;">TRANSFORMER</h2>	DRAWING NO. <h2 style="text-align: center;">32108R/-LF1</h2>	REV. 6D 9/06	
This drawing is dual dimensioned. Dimensions in brackets are in millimeters.	REVISIONS: SEE SHEET 1	SCALE ---	SHEET 2 OF 5	