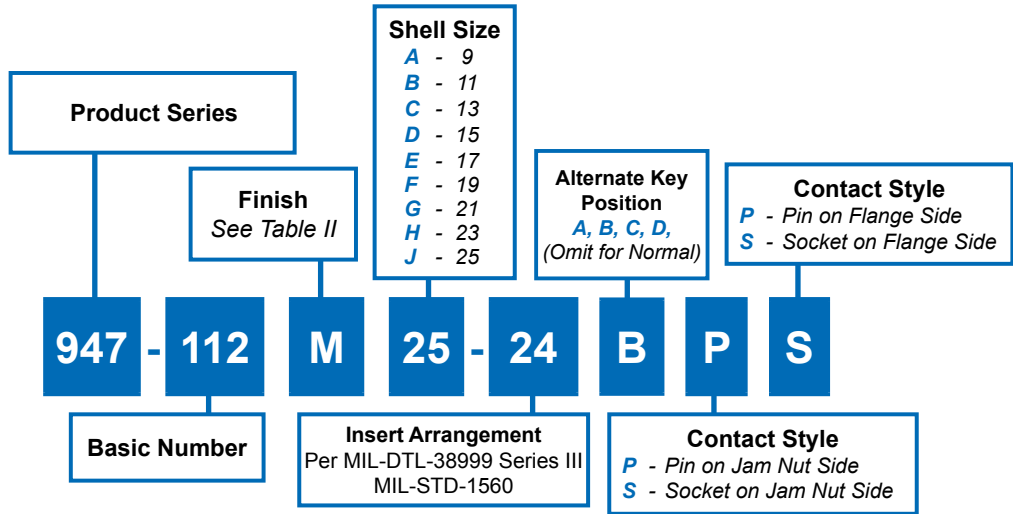
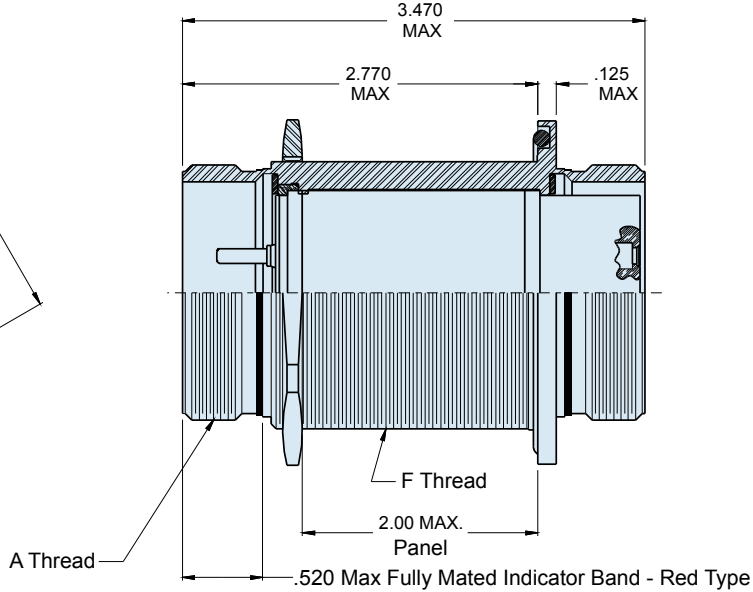
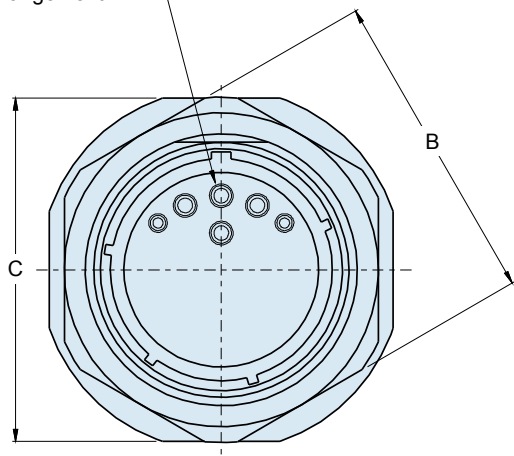




947-112
MIL-DTL-38999 Series III Type
Jam Nut Bulkhead Feed-Thru



See MIL-STD-1560 for
Insert Arrangement



E

947-112
MIL-DTL-38999 Series III Type
Jam Nut Bulkhead Feed-Thru

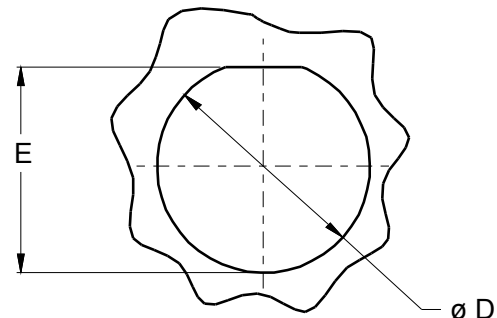


TABLE I: CONNECTOR DIMENSIONS

| SHELL SIZE | A Thread 0.1P-0.3L-TS-2 | B Dimension | C Dimension Max | D Diameter | E Dimension | F Thread x1-6g-0.100R |
|------------|----------------------------|----------------|--------------------|---------------|----------------|--------------------------|
| 09 | .6250 | .875 (22.2) | 1.08 (27.4) | 6.98 (17.7) | .670 (17.0) | M17 |
| 11 | .7500 | 1.000 (25.4) | 1.27 (32.3) | .822 (20.9) | .771 (19.6) | M20 |
| 13 | .8750 | 1.250 (31.8) | 1.39 (35.3) | 1.010 (27.6) | .995 (25.3) | M25 |
| 15 | 1.0000 | 1.375 (34.9) | 1.52 (36.9) | 1.135 (28.8) | 1.085 (27.6) | M28 |
| 17 | 1.1875 | 1.500 (38.1) | 1.64 (41.7) | 1.260 (32.0) | 1.210 (30.7) | M32 |
| 19 | 1.2500 | 1.625 (41.3) | 1.83 (46.5) | 1.385 (35.2) | 1.335 (33.9) | M35 |
| 21 | 1.3750 | 1.750 (44.5) | 1.95 (49.5) | 1.510 (38.4) | 1.460 (37.1) | M38 |
| 23 | 1.5000 | 1.875 (47.6) | 2.08 (52.8) | 1.635 (41.5) | 1.585 (40.3) | M41 |
| 25 | 1.6250 | 2.000 (50.8) | 2.20 (55.9) | 1.760 (44.7) | 1.710 (43.4) | M44 |

TABLE II: MATERIALS AND FINISH

| SYM | FINISH |
|-----|---|
| B | Cadmium Plate / Olive Drab |
| J | Gold Iridite over Cadmium Plate over Nickel |
| M | Electroless Nickel |
| N | Cadmium Plate / Olive Drab over Nickel |
| NF | Cadmium / Olive Drab over Electroless Nickel Nickel (500 Hour Salt Spray) |
| T | Cadmium Plate / Bright Dip Over Nickel |



RECOMMENED PANEL CUT-OUT

APPLICATION NOTES

1. Assembly identified with manufacturers name and part number
2. Electrical safety limits must be established by user, peak voltage, switching surge, transient, etc. should be used to determine the safety applications.
3. Material/ Finishes:
Shells, Jam Nut - AL Alloy
Insulators- High Grade Rigid Dielectric/ N.A
Seals- Fluorosilicone/ N.A.