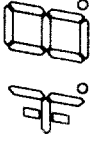
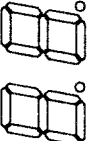
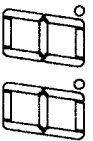
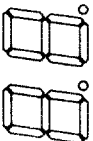


# LED DISPLAY

## DUAL DIGIT LED DISPLAYS

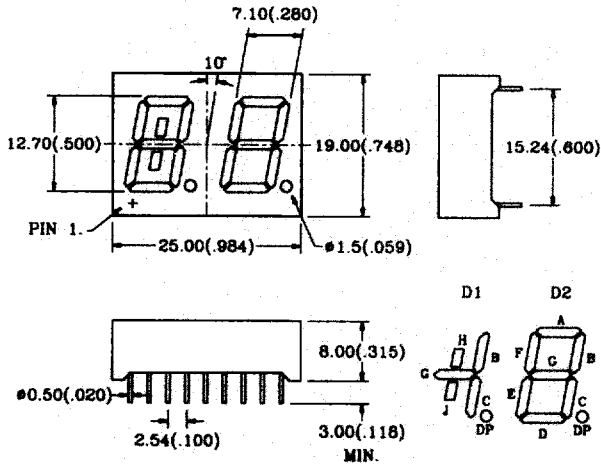
Digit Size	Part No.		Chip		Absolute Maximum Ratings				Electro-optical Data(At 10mA)			Drawing No.
	Common Anode	Common Cathode	Emitted Color	Peak Wave Length $\lambda_p$ (nm)	$\Delta\lambda$ (nm)	Pd (mW)	If(mA)	Peak If(mA)	Vf(V)		Iv Typ. Per Seg. (mcd)	
									Typ.	Max.		
 0.50"	BG-A501RD	BG-C501RD	Red	655	40	110	40	200	1.6	2.0	0.9	DD-01
	BG-A505RD	BG-C505RD	Bright Red	700	90	50	15	50	2.1	2.5	1.2	
	BG-A505RE	BG-C505RE										
	BG-A502RD	BG-C502RD	Green	568	30	100	30	150	2.1	2.5	2.8	
	BG-A503RD	BG-C503RD	Yellow	585	35	100	30	150	2.0	2.5	2.0	
	BG-A504RD	BG-C504RD	Hi-Eff Red	635	45	100	30	150	1.9	2.5	2.5	
			Orange									
BG-A506RD	BG-C506RD	Super Red	660	20	60	20	150	1.7	2.5	5.0		
 0.52"	BD-A531RD	BD-C531RD	Red	655	40	100	40	200	1.6	2.0	0.9	DD-02
	BD-A535RD	BD-C535RD	Bright Red	700	90	50	15	50	2.1	2.5	1.2	
	BD-A535RE	BD-C535RE										
	BD-A532RD	BD-C532RD	Green	568	30	100	30	150	2.1	2.5	2.8	
	BD-A533RD	BD-C533RD	Yellow	585	35	100	30	150	2.0	2.5	2.0	
	BD-A534RD	BD-C534RD	Hi-Eff Red	635	45	100	30	150	1.9	2.5	2.5	
			Orange									
BD-A536RD	BD-C536RD	Super Red	660	20	60	20	150	1.7	2.5	5.0		
 0.50"	BD-A511RD	BD-C511RD	Red	655	40	100	40	200	1.6	2.0	0.9	DD-03
	BD-A515RD	BD-C515RD	Bright Red	700	90	50	15	50	2.1	2.5	1.2	
	BD-A515RE	BD-C515RE										
	BD-A512RD	BD-C512RD	Green	568	30	100	30	150	2.1	2.5	2.8	
	BD-A513RD	BD-C513RD	Yellow	585	35	100	30	150	2.0	2.5	2.0	
	BD-A514RD	BD-C514RD	Hi-Eff Red	635	45	100	30	150	1.9	2.5	2.5	
			Orange									
BD-A516RD	BD-C516RD	Super Red	660	20	60	20	150	1.7	2.5	5.0		
 0.56"	BD-A541RD	BD-C541RD	Red	655	40	100	40	200	1.6	2.0	0.9	DD-04
	BD-A545RD	BD-C545RD	Bright Red	700	90	50	15	50	2.1	2.5	1.2	
	BD-A545RE	BD-C545RE										
	BD-A542RD	BD-C542RD	Green	568	30	100	30	150	2.1	2.5	2.8	
	BD-A543RD	BD-C543RD	Yellow	585	35	100	30	150	2.0	2.5	2.0	
	BD-A544RD	BD-C544RD	Hi-Eff Red	635	45	100	30	150	1.9	2.5	2.5	
			Orange									
BD-A546RD	BD-C546RD	Super Red	660	20	60	20	150	1.7	2.5	5.0		

Remark: • The average luminous intensity is obtained by summing the luminous intensity of each segment and dividing by total number of segments.

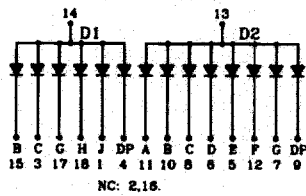
• Above part numbers are all with black surface and white segment. For part numbers with other surface and segment color combinations, please check the selection guide-Part number system.

# LED DISPLAY

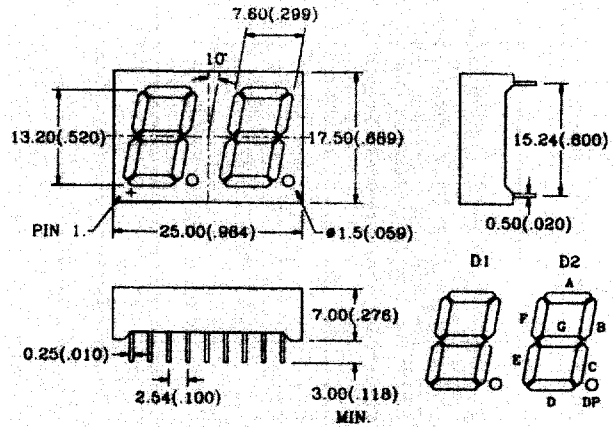
## DD-01 BG-A50xxx Series



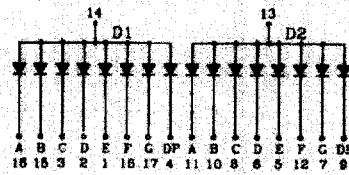
BG-A50xxx



## DD-02 BD-A53xxx Series



BD-A53xxx

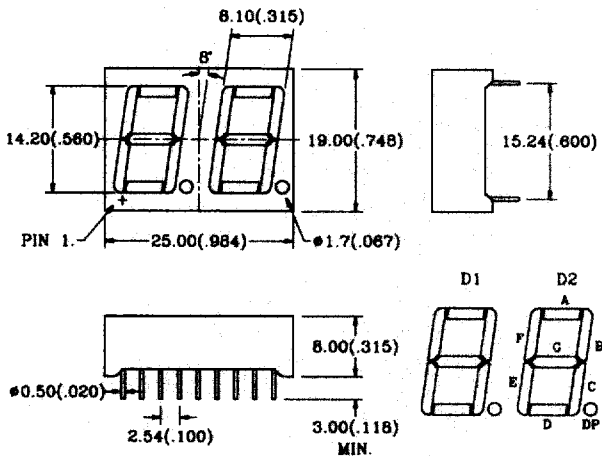


## PACKAGE DIMENSIONS

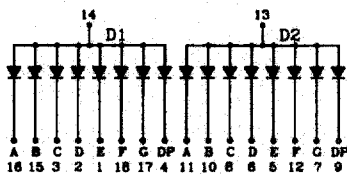
### NOTES

1. All Dimensions are in millimeters (inches).
2. Tolerance is  $\pm 0.25\text{mm}$  ( $.010''$ ) unless otherwise specified.
3. Specifications are subject to change without notice.
4. NP: No Pin.
5. NC: No Connect.

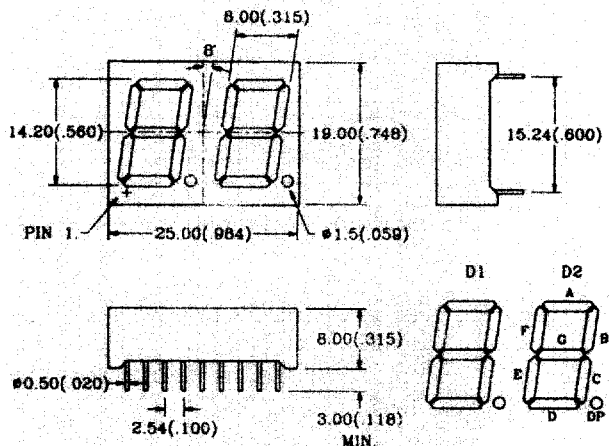
## DD-03 BD-A51xxx Series



BD-A51xxx



## DD-04 BD-A54xxx Series



BD-A54xxx

