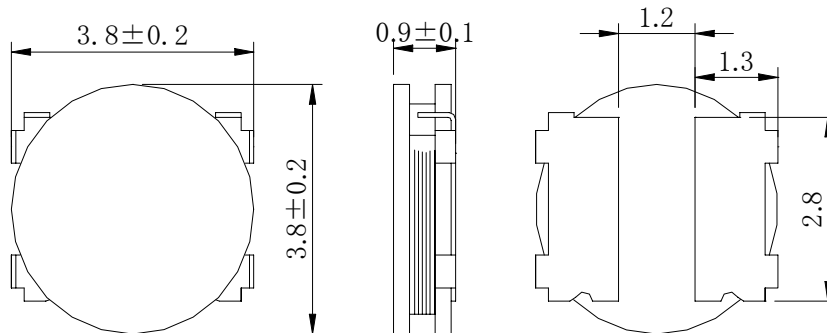
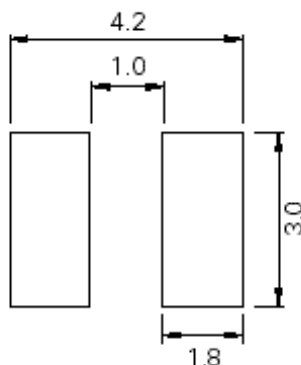


Type: CDH38D09/S, CDH38D09/SLD, CDH38D09/SHP
UNDER DEVELOPMENT
◆ Product Description

- 4.0×4.0mm Max.(L×W), 1.0mm Max. Height.
- Low DCR type CDH38D09/SLD, High Power type CDH38D09S/HP and Standard type CDH38D09/S are available.
- Inductance range: 2.7~27 μ H(CDH38D09/S), 2.7~33 μ H(CDH38D09/SLD), 12.5~22 μ H (CDH38D09/SHP)
- Rated current range: 0.4~1.3A(CDH38D09/S), 0.3~1.08A (CDH38D09/SLD), 0.52~1.6A (CDH38D09/SHP)
- Custom design is available.


◆ Feature

- Magnetically unshielded construction.
- Ideally used in Mobilephone, PDA, MP3, DSC/DVC, HDD, etc as DC-DC Converter inductors.
- Dropping impact reinforced types.
- RoHS Compliance

◆ Dimensions (mm)

◆ Land Pattern (mm)


Type: CDH38D09/S, CDH38D09/SLD, CDH38D09/SHP
◆ Specification (CDH38D09/S)

Part Name ※	Stamp	Inductance (μ H) [Within] 100kHz/1V	D.C.R.(Ω) Max.(Typ.) (at 20°C)	Saturation Current (A) ※1	Temperature Rise current (A) ※2
CDH38D09SNP-2R7M□	2R7	2.7±20%	120m(100m)	1.30	1.64
CDH38D09SNP-3R3M□	3R3	3.3±20%	138m(115m)	1.18	1.52
CDH38D09SNP-3R6M□	3R6	3.6±20%	156m(130m)	1.08	1.32
CDH38D09SNP-4R7M□	4R7	4.7±20%	201.6m(168m)	1.00	1.22
CDH38D09SNP-5R2M□	5R2	5.2±20%	255.6(188m)	0.95	1.15
CDH38D09SNP-5R8M□	5R8	5.8±20%	264m(220m)	0.90	1.08
CDH38D09SNP-7R0M□	7R0	7.0±20%	309.6m(258m)	0.78	0.95
CDH38D09SNP-8R0M□	8R0	8.0±20%	330m(275m)	0.75	0.92
CDH38D09SNP-100M□	100	10.0±20%	444m(370m)	0.66	0.83
CDH38D09SNP-120M□	120	12.0±20%	516m(430m)	0.60	0.70
CDH38D09SNP-150M□	150	15.0±20%	696m(580m)	0.55	0.62
CDH38D09SNP-180M□	180	18.0±20%	852m(710m)	0.48	0.56
CDH38D09SNP-220M□	220	22.0±20%	1.03(860m)	0.44	0.54
CDH38D09SNP-270M□	270	27.0±20%	1.18(980m)	0.40	0.49

◆ Specification (CDH38D09/SHP)

Part Name ※	Stamp	Inductance (μ H) [Within] 100kHz/1V	D.C.R.(Ω) Max.(Typ.) (at 20°C)	Saturation Current (A) ※1	Temperature Rise current (A) ※2
CDH38D09SHPNP-2R5M□	2R5	2.5±20%	132m(110m)	1.60	1.60
CDH38D09SHPNP-3R0M□	3R0	3.0±20%	149m(124m)	1.48	1.48
CDH38D09SHPNP-3R8M□	3R8	3.8±20%	198m(165m)	1.30	1.30
CDH38D09SHPNP-4R3M□	4R3	4.3±20%	219m(182m)	1.24	1.22
CDH38D09SHPNP-5R4M□	5R4	5.4±20%	276m(230m)	1.08	1.08
CDH38D09SHPNP-6R0M□	6R0	6.0±20%	306m(255m)	1.04	1.04
CDH38D09SHPNP-7R4M□	7R4	7.4±20%	378m(315m)	0.88	0.92
CDH38D09SHPNP-8R2M□	8R2	8.2±20%	408m(340m)	0.84	0.90
CDH38D09SHPNP-100M□	100	10±20%	528m(440m)	0.75	0.77
CDH38D09SHPNP-120M□	120	12±20%	606m(505m)	0.66	0.74
CDH38D09SHPNP-150M□	150	15±20%	690m(575m)	0.60	0.68
CDH38D09SHPNP-180M□	180	18±20%	990m(825m)	0.56	0.55
CDH38D09SHPNP-220M□	220	22±20%	1.09(910m)	0.52	0.53

Type: CDH38D09/S, CDH38D09/SLD, CDH38D09/SHP
◆ Specification (CDH38D09/SLD)

Part Name ※	Stamp	Inductance (μ H) [Within] 100kHz/1V	D.C.R.(Ω) Max.(Typ.) (at 20°C)	Saturation Current (A) ※1	Temperature Rise current (A) ※2
CDH38D09SLDNP-2R7M□	2R7	2.7 \pm 20%	113m(94m)	1.08	1.70
CDH38D09SLDNP-3R3M□	3R3	3.3 \pm 20%	129m(107m)	0.90	1.60
CDH38D09SLDNP-3R9M□	3R9	3.9 \pm 20%	144m(120m)	0.80	1.48
CDH38D09SLDNP-4R7M□	4R7	4.7 \pm 20%	162m(135m)	0.76	1.40
CDH38D09SLDNP-5R4M□	5R4	5.4 \pm 20%	210m(175m)	0.74	1.20
CDH38D09SLDNP-6R1M□	6R1	6.1 \pm 20%	234m(195m)	0.70	1.16
CDH38D09SLDNP-6R8M□	6R8	6.8 \pm 20%	252m(210m)	0.66	1.12
CDH38D09SLDNP-8R6M□	8R6	8.6 \pm 20%	310m(258m)	0.60	0.98
CDH38D09SLDNP-100M□	100	10 \pm 20%	360m(300m)	0.57	0.92
CDH38D09SLDNP-120M□	120	12 \pm 20%	432m(360m)	0.50	0.85
CDH38D09SLDNP-150M□	150	15 \pm 20%	498m(415m)	0.46	0.82
CDH38D09SLDNP-180M□	180	18 \pm 20%	660m(550m)	0.42	0.68
CDH38D09SLDNP-220M□	220	22 \pm 20%	780m(650m)	0.37	0.62
CDH38D09SLDNP-270M□	270	27 \pm 20%	1.02(850m)	0.33	0.55
CDH38D09SLDNP-330M□	330	33 \pm 20%	1.18(980m)	0.30	0.50

※ Description of part name

CDH38D09SNP-2R7M□

- B Box
- C Carrier Tape

※1.Saturation Current: The DC current at which the inductance decreases to 70% of it's nominal value.

※2 Temperature rise current: The DC current at which the temperature rise is $\Delta t=40^{\circ}\text{C}$. ($T_a=20^{\circ}\text{C}$)

This datasheet is not a final issue, and maybe something will be changed before production.