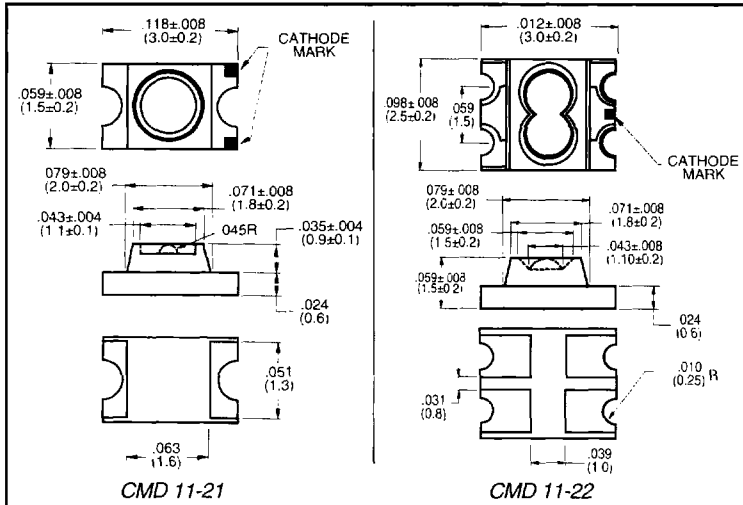


CMD11-21 & 22 SERIES SMT LEDs

DESCRIPTION AND FEATURES



SURFACE MOUNT TECHNOLOGY

- Tape and reel packaged for high-speed autoinsertion
- Convection and vapor-phase reflow compatible
- Compact form enables high density placement
- Industry standard 1206 package

LEADING EDGE LED OPTOELECTRONIC PERFORMANCE

- Consistent high brightness
- Integral lensing for narrow angle light dispersion
- Bi-color available

EXCEPTIONAL RELIABILITY

- Stringent process controls assure quality
- Extensive qualification testing to meet strictest requirements
- Designed to permit easy post-reflow solder joint inspection

ELECTRO-OPTICAL CHARACTERISTICS AND RATINGS

Part Number	Emitted Color	Lens Color	Package Type	Luminous Intensity			Forward Voltage			Peak Wavelength (nm)	View Angle Degrees		
				Min. mcd	Typ. mcd	mA	Type.	Max	mA				
CMD11-21VGC	Green	Clear	Single	3.0	7.5	20	2.1	2.8	20	570	20°		
CMD11-21VYC	Yellow	Clear	Single	3.0	6.0	20	2.0	2.8	20	585	20°		
CMD11-21VRC	Red	Clear	Single	3.5	6.0	20	2.0	2.8	20	640	20°		
CMD11-21SRC	Red	Clear	Single	6.0	17.0	20	1.7	2.4	20	660	20°		
CMD11-21UBC	Blue	Clear	Single	CONTACT FACTORY									
CMD11-22RVGC	Red	Clear	Dual	6.0	17.0	20	1.7	2.4	20	660	20°		
	Green	Clear	Dual	3.0	7.5	20	2.1	2.8	20	570	20°		

ABSOLUTE MAXIMUM RATINGS

	Green	Yellow	Red	Units
Power Dissipation	105	105	100	mW
Storage/Operation Temperature	-30 to +90	-30 to +90	-30 to +90	°C
Lead Solder Time at 260°C	5	5	5	Seconds
Peak Forward Current (1 micro second @ 10% duty cycle)	150	150	150	mA
Reverse Voltage (IR=100µA)	5.0	5.0	5.0	V
Average Forward Current	25	30	30	mA

PACKAGING CHARACTERISTICS

