

High Frequency, Surface Mount Inductor



FEATURES

- High self-resonant frequency values.
- High Q values at higher frequencies.
- Wirewound construction.
- Tape and reel packaging for automatic handling, 2000/ reel.
- Compatible with vapor phase and infrared reflow soldering.

STANDARD ELECTRICAL SPECIFICATIONS

IND. (nH)	TOL.	TEST FREQ. L (MHz)	Q MIN.	TEST FREQ. Q (MHz)	SELF-RESONANT FREQ. MIN. (MHz)	DCR MAX. (Ohms)	RATED DC CURRENT (mA)
2.2	± 0.3nH, 0.2nH	250	50	1000	6000	0.06	800
2.7	± 0.3nH, 0.2nH	250	35	1000	6000	0.08	800
3.3	± 0.3nH, 0.2nH	250	60	1000	6000	0.08	800
3.9	± 0.3nH, 0.2nH	250	60	1000	6000	0.06	600
4.7	± 0.3nH, 0.2nH	250	60	1000	5800	0.06	600
5.6	± 5%, 2%	250	60	1000	5800	0.08	600
6.8	± 5%, 2%	250	60	1000	5500	0.06	600
8.2	± 5%, 2%	250	60	1000	5500	0.06	600
10	± 5%, 2%	250	60	500	4800	0.08	600
12	± 5%, 2%	250	60	500	4100	0.08	600
15	± 5%, 2%	250	60	500	3600	0.08	600
18	± 5%, 2%	250	60	500	3400	0.08	600
22	± 5%, 2%	250	60	500	3300	0.10	600
27	± 5%, 2%	250	60	500	2600	0.12	600
33	± 5%, 2%	250	60	500	2400	0.15	500
39	± 5%, 2%	250	60	500	2100	0.18	500
47	± 5%, 2%	200	60	500	1700	0.15	500
56	± 5%, 2%	200	60	500	1600	0.25	500
68	± 5%, 2%	200	60	500	1450	0.27	500
82	± 5%, 2%	150	60	500	1350	0.32	500
100	± 5%, 2%	150	60	500	1200	0.43	500
120	± 5%, 2%	150	50	250	1100	0.48	500
150	± 5%, 2%	100	50	250	950	0.56	400
180	± 5%, 2%	100	50	250	900	0.78	400
220	± 5%, 2%	100	50	250	860	1.00	400
270	± 5%, 2%	100	45	250	850	1.46	350
330	± 5%, 2%	100	45	250	800	1.65	300
390	± 5%, 2%	100	45	250	780	2.20	210
470	± 5%, 2%	25.2	45	100	375	0.95	500
560	± 5%, 2%	25.2	45	100	340	1.10	450
680	± 5%, 2%	25.2	35	100	188	1.20	400
820	± 5%, 2%	25.2	35	100	215	1.50	300
1000	± 5%, 2%	25.2	35	50	200	2.13	180
1200	± 5%, 2%	7.96	15	7.96	200	2.38	150
1500	± 5%, 2%	7.96	15	7.96	200	2.90	130
1800	± 5%, 2%	7.96	15	7.96	120	3.00	120
2200	± 5%, 2%	7.96	15	7.96	110	3.10	110
2700	± 5%, 2%	7.96	15	7.96	100	3.50	100
3300	± 5%, 2%	7.96	15	7.96	70	2.30	210
3900	± 5%, 2%	7.96	15	7.96	60	2.50	200
4700	± 5%, 2%	7.96	15	7.96	50	2.80	180
5600	± 5%, 2%	7.96	15	7.96	45	3.00	160
6800	± 5%, 2%	7.96	15	7.96	45	3.20	130
8200	± 5%, 2%	7.96	15	7.96	40	3.50	120
10,000	± 5%, 2%	2.52	10	2.52	40	5.00	80

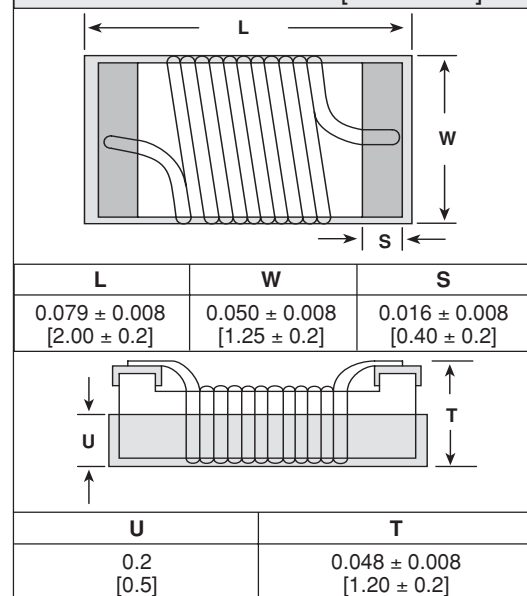
ELECTRICAL SPECIFICATIONS

Inductance Range: 2.2nH to 10,000nH.
Inductance Tolerance: 0.3nH for 2.2 - 4.7nH
 ± 5% for 5.6nH to 10,000nH.
Temperature Range: - 40°C to 125°C.
Core Material: Ceramic for 2.2nH to 390nH
 Ferrite for 470nH to 10,000nH.

TEST EQUIPMENT

- Inductance and Q measured on HP4286A (2.2nH - 390nH) and HP4285A (470nH - 10,000nH).
- SRF measured on HP8753E.
- DCR measured on HP4338B.

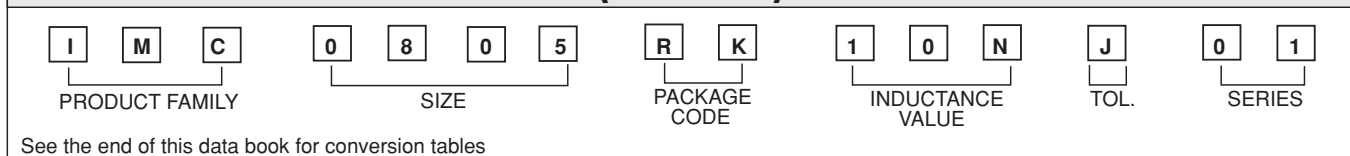
DIMENSIONS in inches [millimeters]



DESCRIPTION

IMC-0805-01	10nH	± 5%
MODEL	INDUCTANCE VALUE	INDUCTANCE TOLERANCE

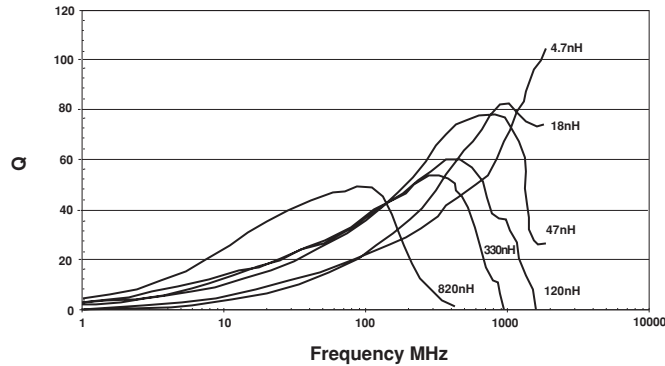
SAP PART NUMBERING GUIDELINES (INTERNAL)



PERFORMANCE GRAPHS

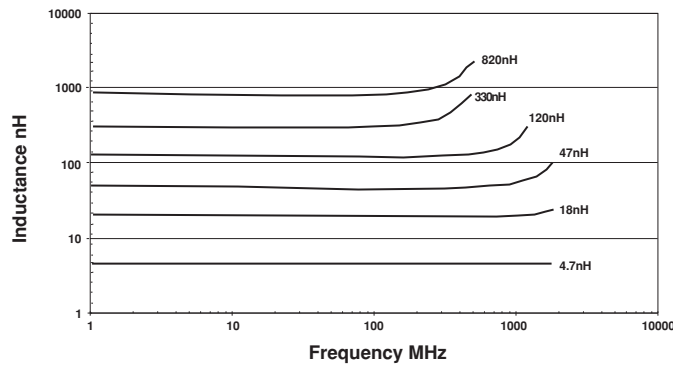
IMC-0805-01

Q vs Frequency



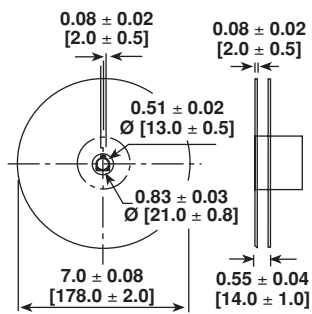
IMC-0805-01

Inductance vs Frequency

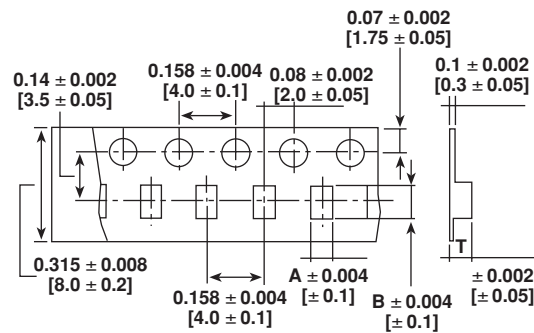


TAPE AND REEL SPECIFICATIONS in inches [millimeters]

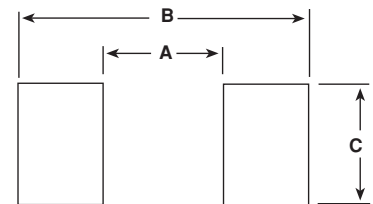
REEL DIMENSIONS



TAPE DIMENSIONS



RECOMMENDED PATTERN



MODEL	UNITS PER REEL	MODEL	A	B	T	MODEL	A	B	C
IMC-0805-01	2000	IMC-0805-01	0.055 [1.4]	0.091 [2.3]	0.055 [1.4]	IMC-0805-01	0.047 [1.20]	0.102 [2.6]	0.047 [1.20]