

Customer Information Sheet

DRAWING No.: M50-19X0005

SHEET 2 OF 2

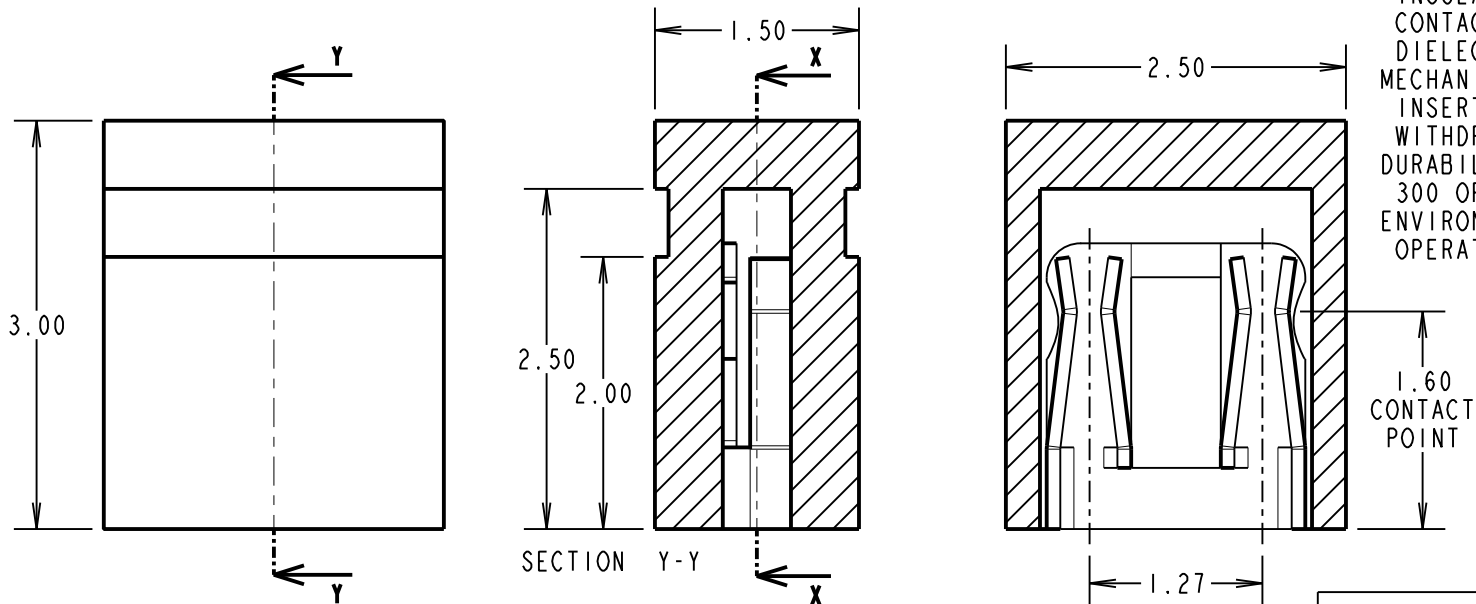
IF IN DOUBT - ASK

©

NOT TO SCALE

THIRD ANGLE PROJECTION

ALL DIMENSIONS IN mm



SPECIFICATION.
MATERIAL:
 INSULATOR = NYLON 66, UL94V-0
 FOR COLOUR SEE TABLE
 CONTACT = COPPER ALLOY
FINISH:
 0.025 μ MIN GOLD FLASH OVER
 0.81 μ MIN NICKEL
ELECTRICAL:
 CURRENT RATING = 1 AMP
 INSULATION RESISTANCE = 1000M Ω MIN.
 CONTACT RESISTANCE = 20m Ω MAX
 DIELECTRIC VOLTAGE = 500V AC FOR ONE MINUTE
MECHANICAL:
 INSERTION FORCE = 10.0N MAX
 WITHDRAWAL FORCE = 0.6N MIN
DURABILITY:
 300 OPERATIONS
ENVIRONMENTAL:
 OPERATING TEMPERATURE = -40°C TO +105°C

RA	2	16.05.11	11276
NAME	ISS.	DATE	C/NOTE
APPROVED:		R.ADDE	
CHECKED:		M.G.PLESTED	
DRAWN:		R.ADDE	
CUSTOMER REF.:			
ASSEMBLY DRG:			

PART No.	COLOUR
M50-1900005	BLACK
M50-1920005	RED
M50-1930005	BLUE

NOTES:
 1. ALL TOLERANCES ARE ± 0.13 UNLESS OTHERWISE STATED.

HARWIN

HARWIN USA TEL: 603 893 5376 FAX: 603 893 5396 mis@harwin.com	HARWIN Europe (UK) TEL: 023 9231 4545 FAX: 023 9231 4590 mis@harwin.co.uk	HARWIN Asia TEL: +65 6 779 4909 FAX: +65 6 779 3868 mis@harwin.com.sg
---	---	---

THIS DRAWING AND ANY INFORMATION OR DESCRIPTIVE MATTER SET OUT HEREON ARE CONFIDENTIAL AND COPYRIGHT PROPERTY OF THE HARWIN GROUP AND MUST NOT BE DISCLOSED, LOANED, COPIED OR USED FOR MANUFACTURING, TENDERING OR FOR ANY OTHER PURPOSE WITHOUT THEIR WRITTEN PERMISSION.

TOLERANCES
~~X = ± 1 mm
 X.X = ± 0.25 mm
 X.XX = ± 0.10 mm
 X.XXX = ± 0.01 mm
 ANGLES = $\pm 5^\circ$
 UNLESS STATED~~

MATERIAL:

FINISH:

S/AREA: mm²

TITLE:
 1.27mm JUMPER SOCKET

DRAWING NUMBER:
M50-19X0005
 SHT 2 OF 2