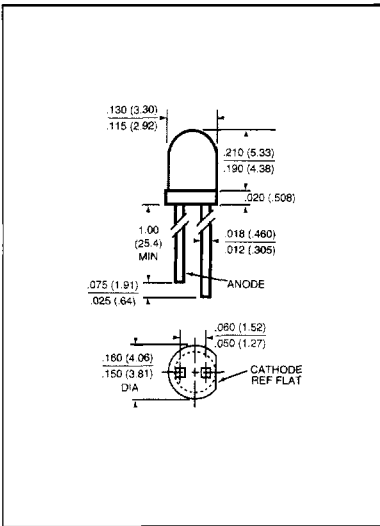
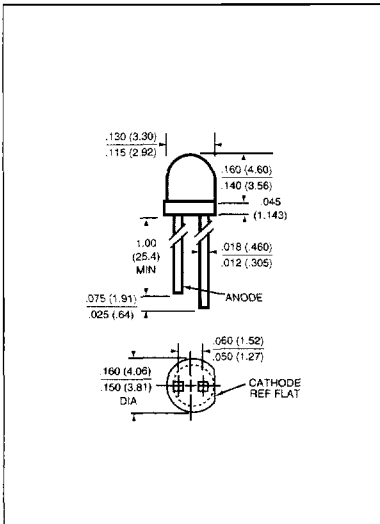


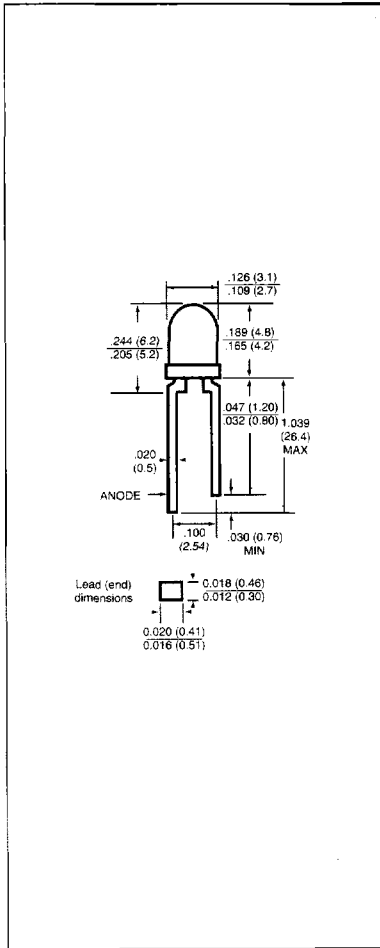
3 mm (T-1 AND T-100) LED LAMPS



T-1 Lamps									
Part Number	Source Color	Wave-length λ_p (nm)	Lens Color	Typical Viewing Angle	Forward Voltage V_F (V) typ max		Luminous Intensity I_V (mcd) min typ		Notes
MV5074C		660	Red Diffused	70°	1.6	2.0	0.7	2.5	4
MV5075C		660	Red Diffused	85°	1.6	2.0	0.6	1.5	4
MV5774C		635	Red Diffused	85°	2.0	3.0	1.5	9.0	4
MV5474C		565	Green Diffused	85°	2.2	3.0	1.2	9.0	4
MV5374C	Yellow	585	Yellow Diffused	85°	2.1	3.0	1.5	9.0	4



T-1 Low Profile Lens									
Part Number	Source Color	Wave-length λ_p (nm)	Lens Color	Typical Viewing Angle	Forward Voltage V_F (V) typ max		Luminous Intensity I_V (mcd) min typ		Notes
MV5077C		660	Red Diffused	180°	1.6	2.0	0.3	1.8	4
MV5777C		635	Red Diffused	180°	2.0	3.0	1.0	7.0	4
MV5477C		565	Green Diffused	180°	2.2	3.0	1.0	7.0	4
MV5377C	Yellow	585	Yellow Diffused	180°	2.1	3.0	1.0	7.0	4



T-100 Clear Lens										
Part Number	Source Color	Wave-length λ_p (nm)	Lens Color	Typical Viewing Angle	Forward Voltage V_F (V)		Luminous Intensity I_V (mcd)		Notes	
					typ	max	min	typ		
HLMP-1320	Red	635	Pale Orange Tint	35°	2.0	3.0	6.0	12.0	3	
HLMP-1321		635	Red Clear	35°	2.0	3.0	6.0	12.0	3	
HLMP-1340		635	Pale Orange Tint	35°	2.2	3.0	24	60	4	
MV5760		635	Pale Orange Tint	35°	2.0	3.0	6.0	12.0	3	
MV57620		635	Red Clear	35°	2.0	3.0	1.5	2.0	3	
MV57621		635	Red Clear	35°	2.0	3.0	3.0	4.0	3	
MV57622		635	Red Clear	35°	2.0	3.0	6.0	12.0	3	
HLMP-1520		Green	565	Pale Green Tint	35°	2.1	3.0	6.0	12.0	4
HLMP-1521			565	Green Clear	35°	2.1	3.0	6.0	12.0	4
HLMP-1540			565	Pale Green Tint	35°	2.2	3.0	24	60	4
MV5460	565		Pale Green Tint	35°	2.1	3.0	6.0	12.0	4	
MV54624	565		Green Clear	35°	2.1	3.0	6.0	12.0	4	
HLMP-1420	Yellow		585	Pale Yellow Tint	35°	2.1	3.0	6.0	12.0	3
HLMP-1440		585	Pale Yellow Tint	35°	2.2	3.0	24	60	4	
MV5360		585	Pale Yellow Tint	35°	2.1	3.0	6.0	12.0	3	
MV53621		585	Yellow Clear	35°	2.1	3.0	3.0	4.0	3	
MV53622		585	Yellow Clear	35°	2.1	3.0	6.0	8.0	3	
HLMP-K105	Water	660	Red Clear	35°	1.8	2.2	35	70	4	
HLMP-K640		560	Water Clear	45°	2.2	3.0	4.2	3.0	4	

Notes

- 3. V_F & I_V @ $I_F= 10$ mA
 - 4. V_F & I_V @ $I_F= 20$ mA
- HER = High Efficiency Red