

# ISDN MAGNETICS

## U Interface Through Hole Transformers

TM9930

- Designed to interface with Motorola MC14572 transceiver IC
- 0559-6204-11 complies with EN60950 reinforced insulation

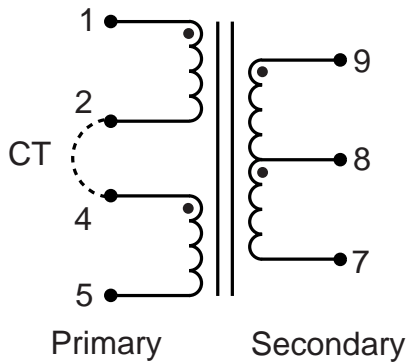
### ELECTRICAL SPECIFICATIONS at 25° C

Part Number	Turns Ratio ± 3%	Primary Inductance* mH min	Leakage Inductance μH max	DCR Ω max		Interwinding Capacitance pF max	Interwinding Breakdown Voltage Vrms min
				Pri	Sec		
0559-6204-08	1.25 : 1 CT	26.5	95	6	9	80	1500
0559-6204-11	1.25 : 1 CT	26	45	6	3	100	3000

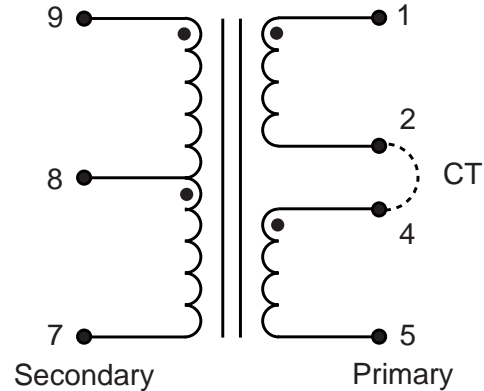
\* Measured at 10 kHz, 0.1 Vac

### SCHEMATICS

0559-6204-08



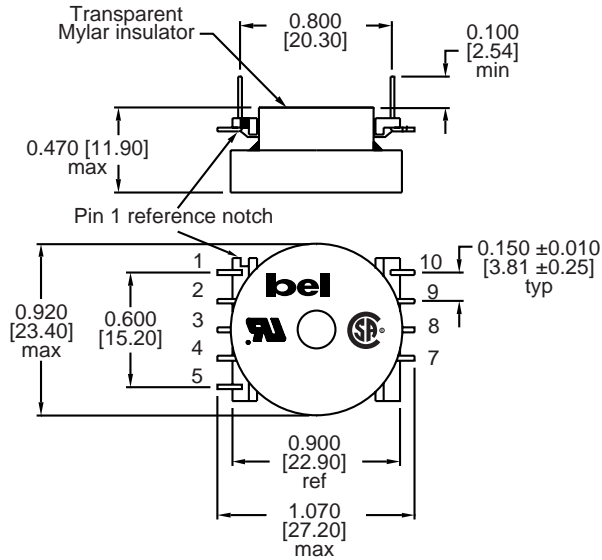
0559-6204-11



TM9930

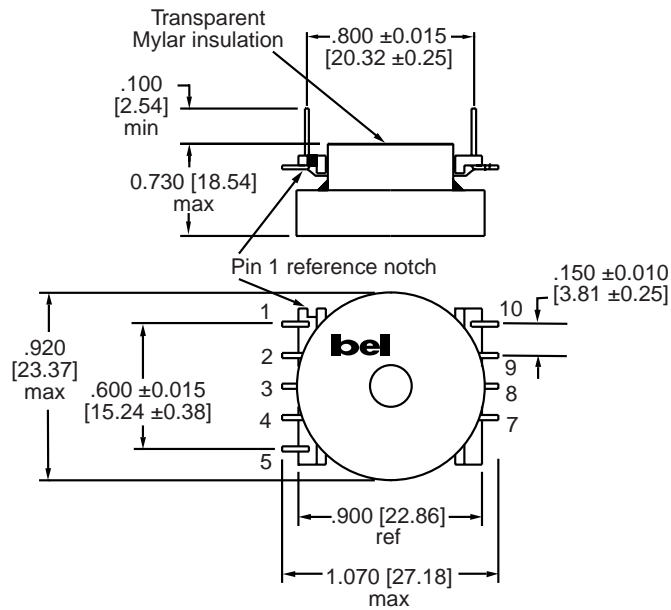
### MECHANICALS

0559-6204-08



Standard dimension tolerance is ±0.005 [0.13] unless otherwise noted.

0559-6204-11



Standard dimension tolerance is ±0.005 [0.13] unless otherwise noted.

©1999 Bel Fuse Inc. Specifications subject to change without notice. 06.99

#### CORPORATE

**Bel Fuse Inc.**  
198 Van Vorst Street  
Jersey City, NJ 07302  
Tel 201-432-0463  
Fax 201-432-9542  
www.belfuse.com

#### FAR EAST

**Bel Fuse Ltd.**  
8F / 8 Luk Hop Street  
San Po Kong  
Kowloon, Hong Kong  
Tel 852-2328-5515  
Fax 852-2352-3706  
www.belfuse.com

#### EUROPE

**Bel Fuse Europe Ltd.**  
Preston Technology Management Centre  
Marsh Lane, Suite F23, Preston  
Lancashire, PR1 8UD, U.K.  
Tel 44-1772-556601  
Fax 44-1772-888366  
www.belfuse.com